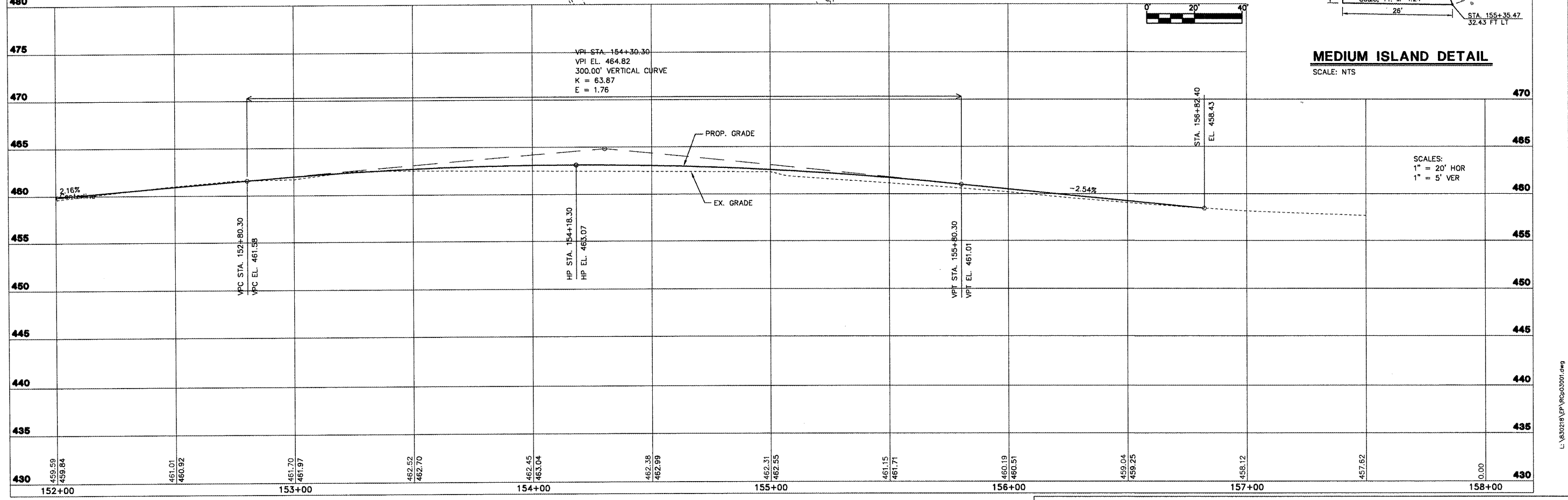
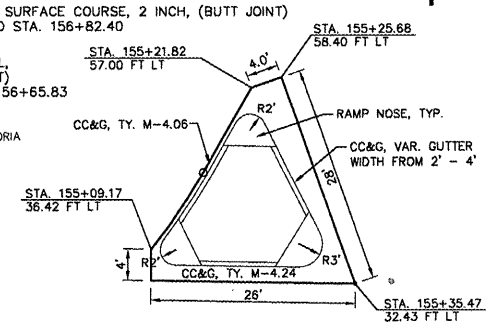
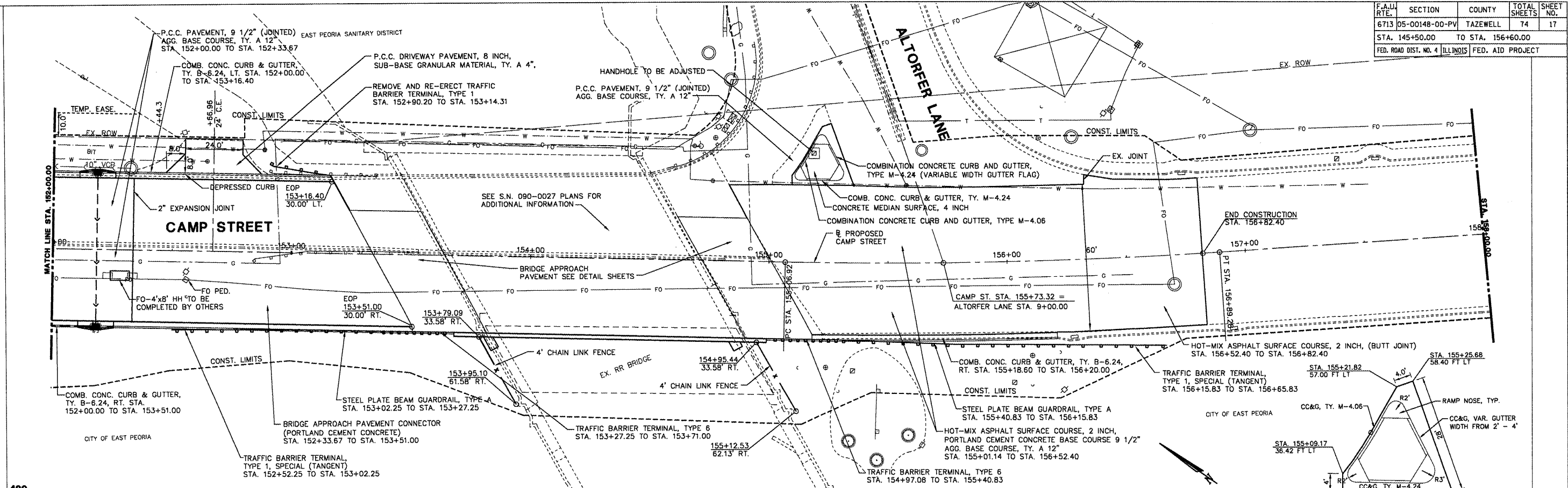


F.A.U. RTE.	SECTION	COUNTY	TOTAL SHEETS	SHEET NO.
6713	05-00148-00-PV	TAZEWELL	74	17
STA. 145+50.00 TO STA. 156+60.00				
FED. ROAD DIST. NO. 4 ILLINOIS FED. AID PROJECT				



CAMP STREET - PLAN AND PROFILE - STA. 152+00 TO STA. 158+00

L:\89392\89392\89392\89392.dwg