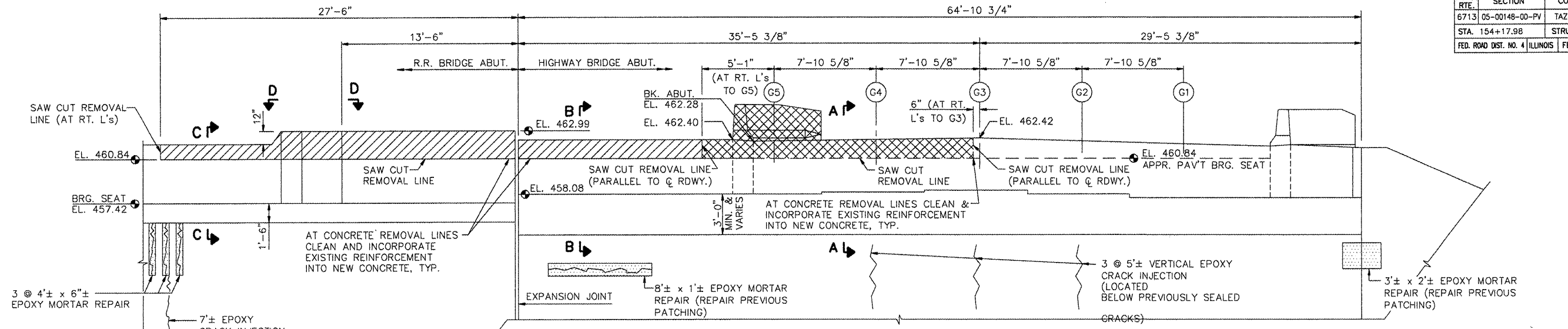
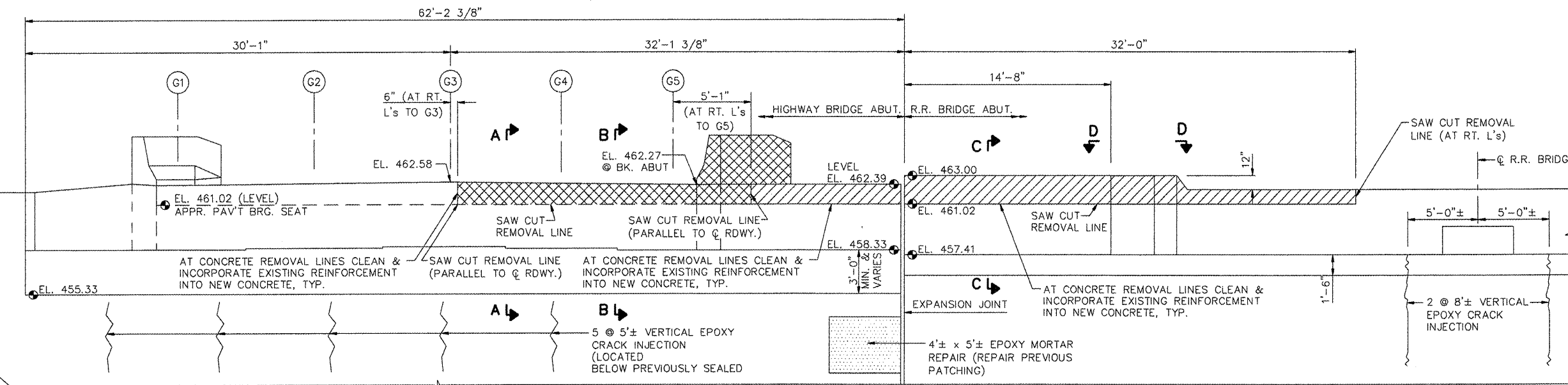


F.A.U. RTE.	SECTION	COUNTY	TOTAL SHEETS	SHEET NO.
6713	05-00148-00-PV	TAZEWELL	74	53
STA. 154+17.98		STRUCTURE NO. 090-0027		
FED. ROAD DIST. NO. 4		ILLINOIS FED. AID PROJECT		



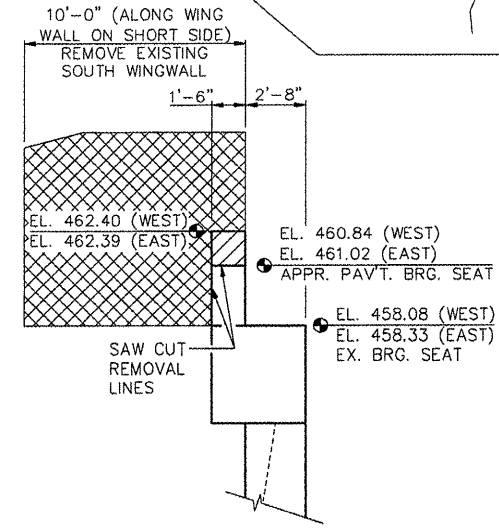
EXISTING WEST ABUTMENT ELEVATION
(LOOKING WEST)

DIMENSIONS PARALLEL TO ϕ BEARING ALONG BACK OF ABUTMENT, UNLESS OTHERWISE NOTED.



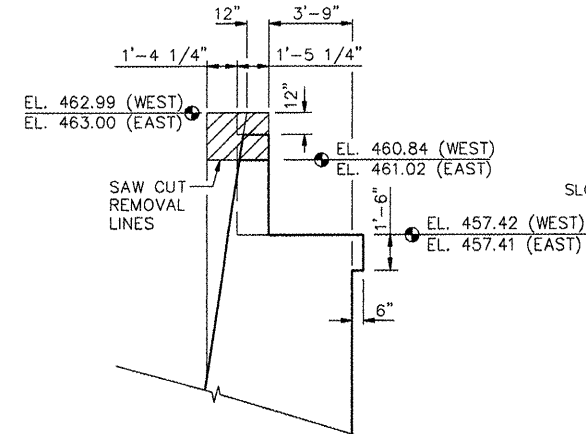
EXISTING EAST ABUTMENT ELEVATION
(LOOKING EAST)

DIMENSIONS PARALLEL TO ϕ BEARING ALONG BACK OF ABUTMENT, UNLESS OTHERWISE NOTED.



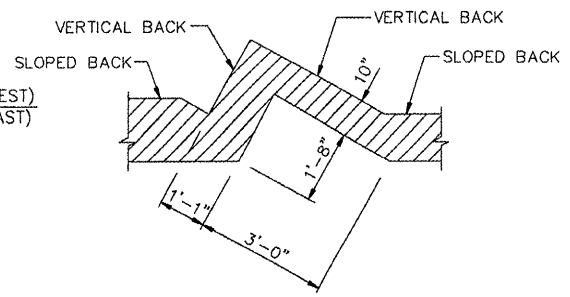
SECTION B-B

DIMENSIONS AT RT. L'S UNLESS NOTED OTHERWISE.



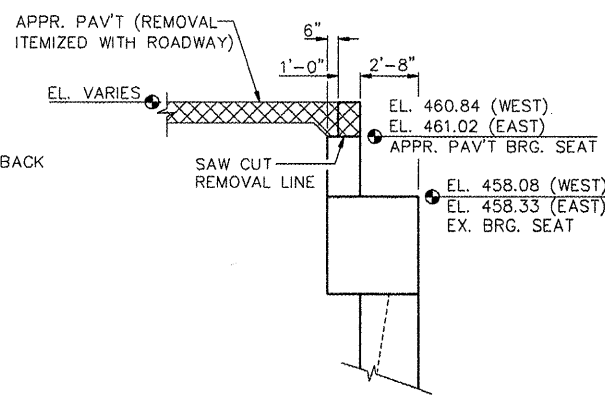
SECTION C-C

DIMENSIONS AT RT. L'S



SECTION D-D

TOP OF BACK WALL DETAIL.



SECTION A-A

DIMENSIONS AT RT. L'S

- STAGE I CONCRETE REMOVAL
- STAGE II CONCRETE REMOVAL

QUANTITIES

ITEM	UNIT	W. ABUT.	E. ABUT.
CONCRETE REMOVAL	CU. YD.	8.3	8.0
EPOXY CRACK INJECTION	FT.	22	41
STRUCTURAL REPAIR OF CONCRETE (DEPTH LESS THAN OR EQUAL TO 5")	SQ. FT.	20	20

NOTE: DO NOT PLUG EXISTING WEEPHOLES WITH EPOXY CRACK INJECTION.

REVISIONS	
NAME	DATE

ILLINOIS DEPARTMENT OF TRANSPORTATION
CAMP ST. OVER FARM CREEK DIVERSION CHANNEL
EXISTING ABUTMENT DEMOLITION & REPAIR
SCALE: N.T.S. DRAWN BY: MGM
DATE: 12/22/2008 CHECKED BY: PUL