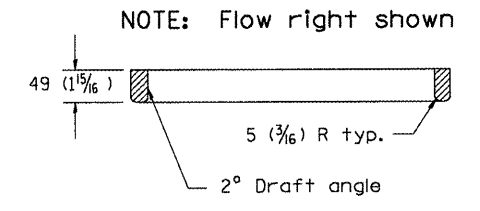
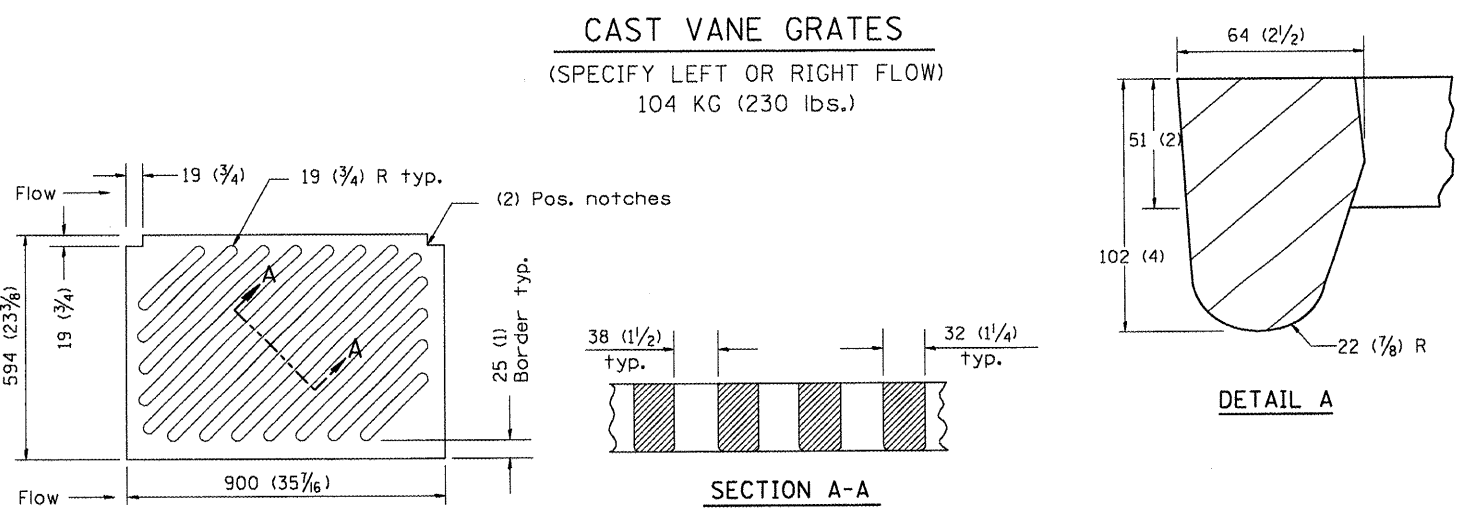
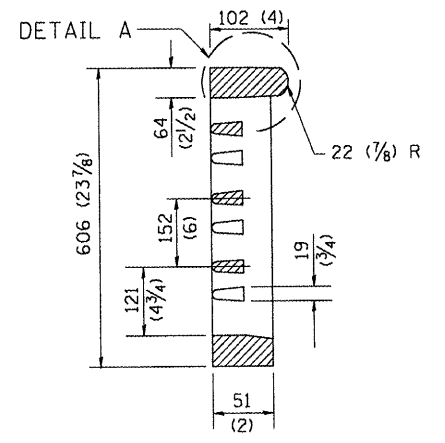
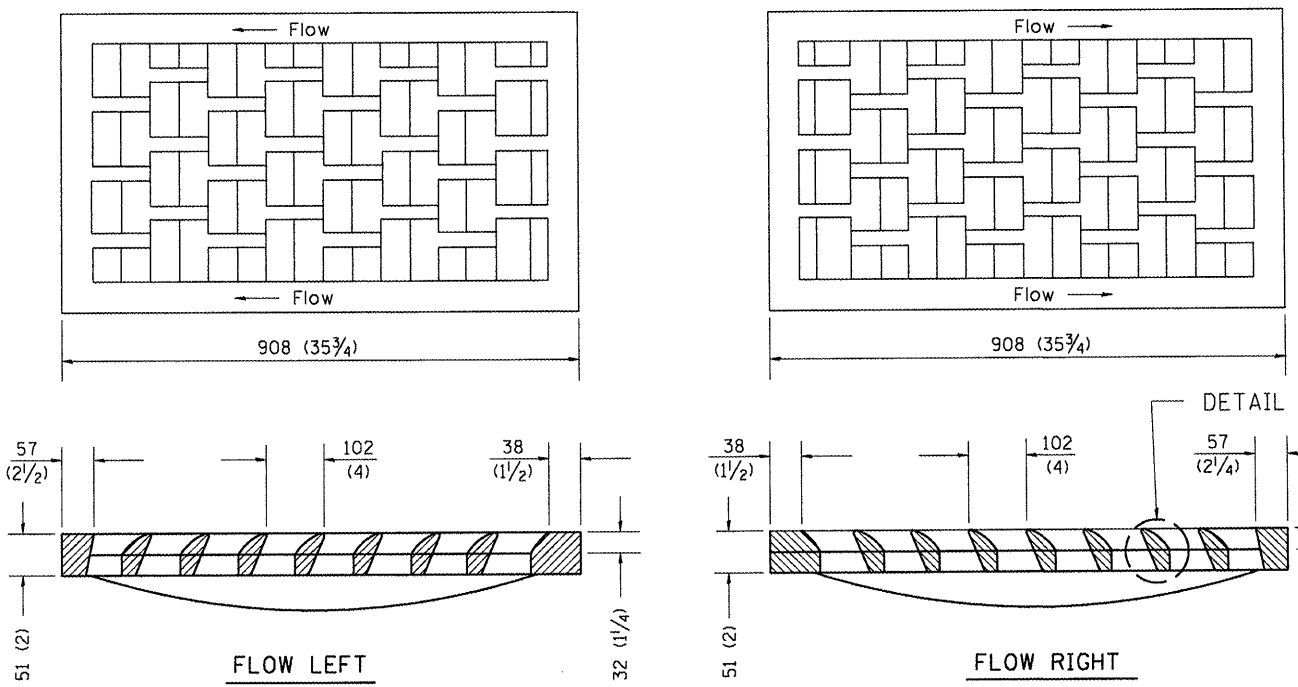
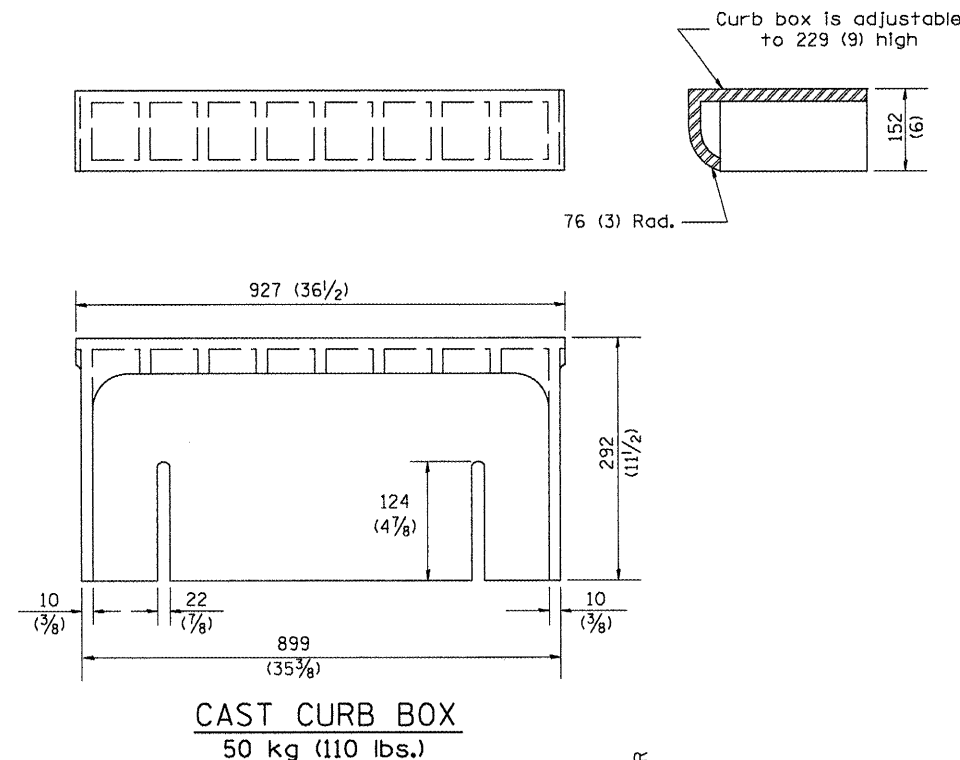


F.A. RTE.	SECTION	COUNTY	TOTAL SHEETS	SHEET NO.
				67
STA.		TO STA.		
FED. ROAD DIST. NO.		ILLINOIS FED. AID PROJECT		

89392



- GENERAL NOTES**
- The frame and grate shown on this drawing are for use with all TYPE G-1 and TYPE G-1, SPECIAL DRAINAGE STRUCTURES. See plans for grate type and flow direction.
 - Flow direction: As viewed from street side.
 - Material: cast gray iron.

DATE	REVISIONS	BY
1-1-97	RENUM. B-10.01, NEW REVISION BOX	T.P.

All dimensions are in millimeters (Inches) unless otherwise noted.

ILLINOIS DEPARTMENT OF TRANSPORTATION
DISTRICT CADD STANDARD

FRAME AND GRATES FOR
TYPE G-1 AND TYPE G-1, SPECIAL
DRAINAGE STRUCTURES

CADD STANDARD 604001-D4
SCALE NOT TO SCALE
DATE **DATE**

DRAWN BY CADD
CHECKED BY

DESIGNER NOTES: 1. Include this standard with all Type G-1 and Type G-1, Special Drainage Structures.
2. Specify grate types and flow directions in plans.
3. These castings are included in the cost of the drainage structures as per District Special Provision.
4. This drawing based upon "NEENAH" designs as follows: Inlet Frame: R-3246-A, Curb Box: R-3290, Reversible Diagonal Grate: R-3246-A, Vane Grates: R-3246-AL (flow left), R-3246-AL (flow right)

\$\$\$DATE\$\$\$

DGN-ONLY

604001-D4