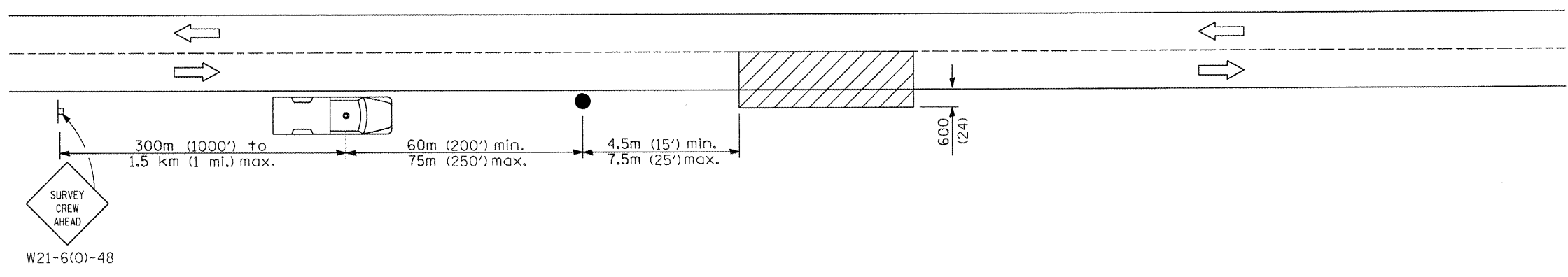
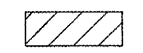


F.A. RTE.	SECTION	COUNTY	TOTAL SHEETS	SHEET NO.
				69
STA.		TO STA.		
FED. ROAD DIST. NO.		ILLINOIS FED. AID PROJECT		

89392



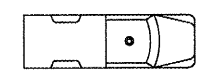
SYMBOLS



Work area



Sign on portable or permanent support



Truck with flashing amber light and dual emergency flashers



Flagger with traffic control sign

TYPICAL APPLICATIONS
Utility operations

All dimensions are in millimeters (Inches) unless otherwise noted.

DATE	REVISIONS	BY
1-1-97	RENUM. E-3.04, METRICS, NEW REVISION BOX, REVISED TITLE BOX	T.P.

ILLINOIS DEPARTMENT OF TRANSPORTATION
SPECIAL DETAIL SHEET

NIGHTTIME LIGHTING INSPECTION

CADD STANDARD 701301-D4
SCALE: NOT DRAWN TO SCALE
DATE **DATE**

DRAWN BY CADD
CHECKED BY

701301-D4

***DATE**