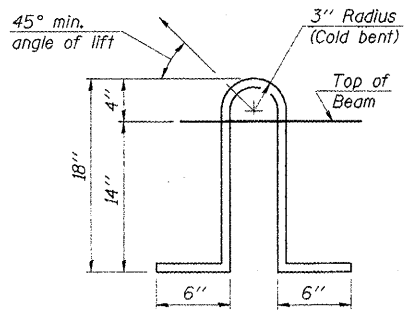
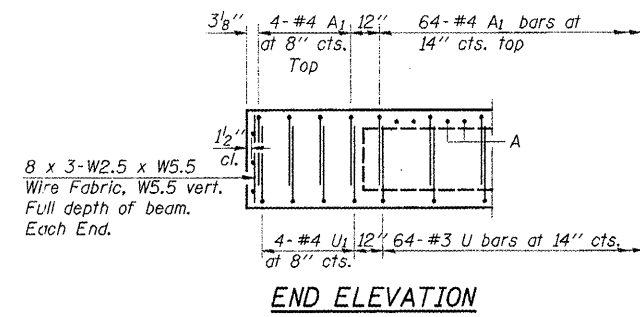
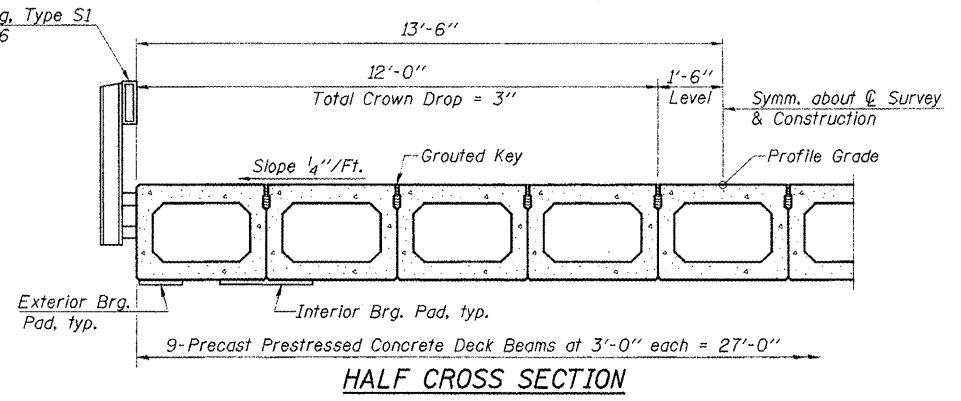
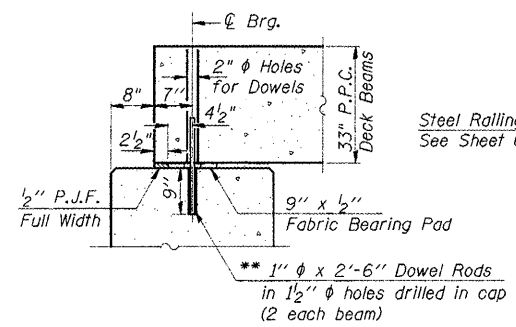
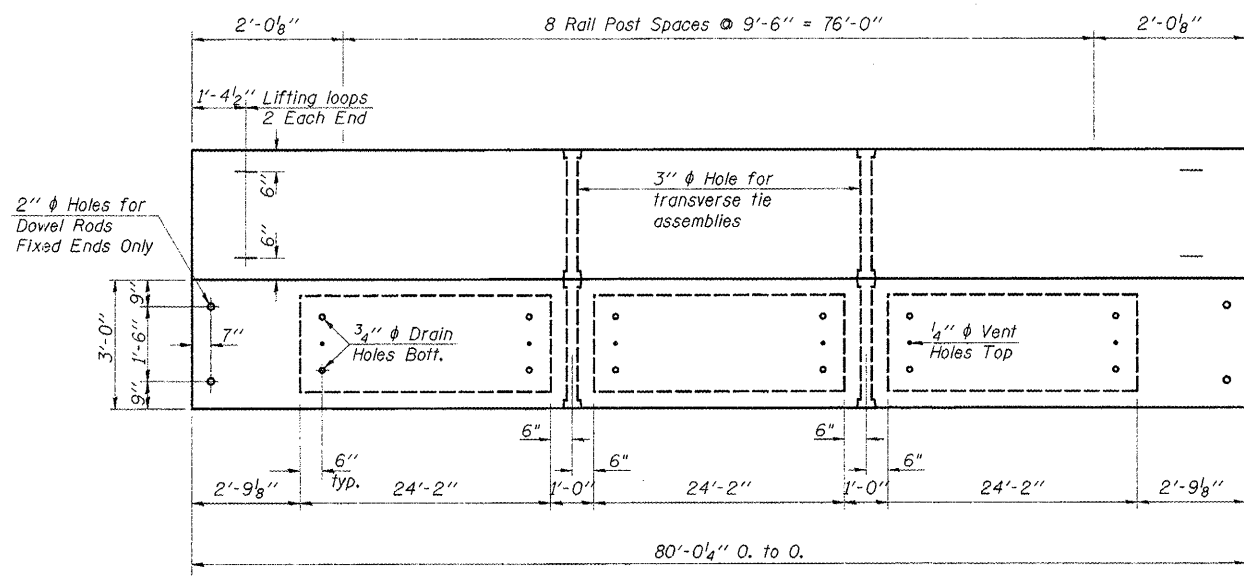
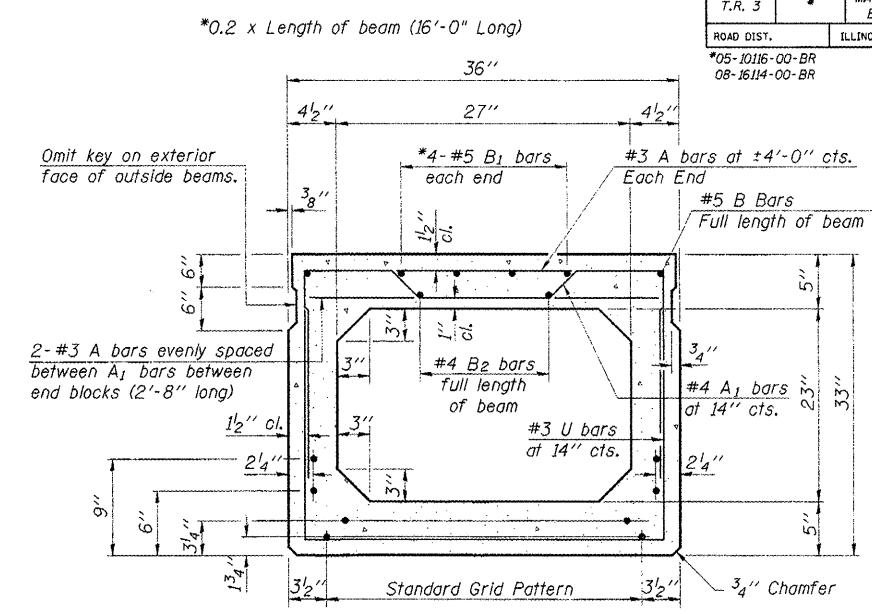
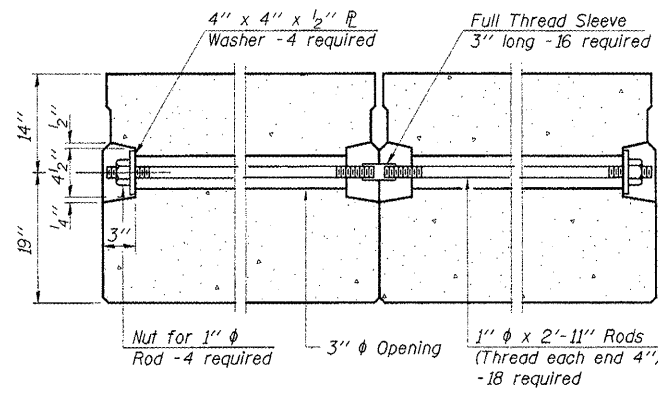
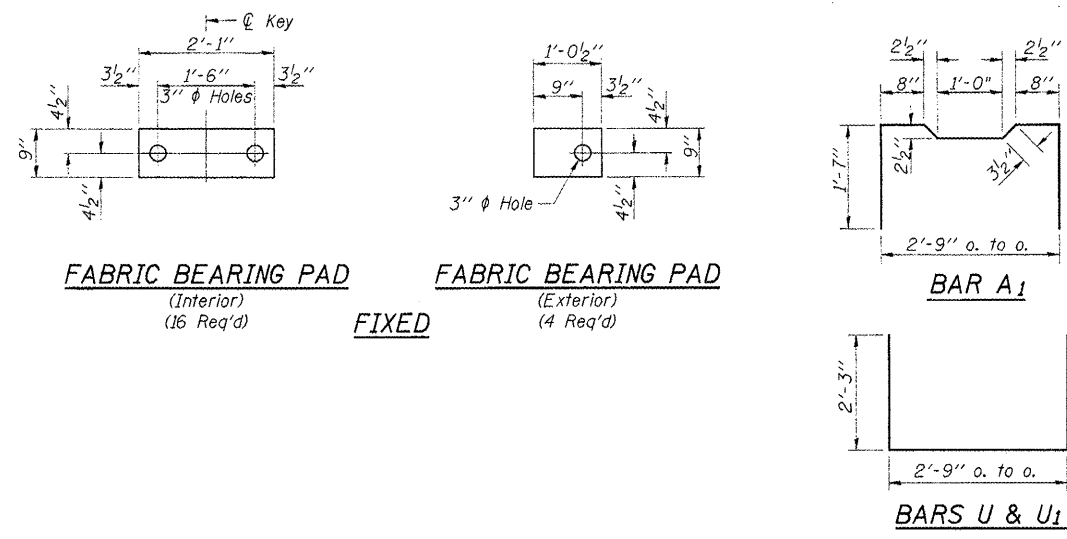


ROUTE NO.	SECTION	COUNTY	TOTAL SHEETS	SHEET NO.
T.R. 3		MARSHALL/BUREAU	14	5
ROAD DIST.	ILLINOIS	SARATOGA/MILO		
*05-10116-00-BR		CONTRACT NO. 89398		
08-16114-00-BR				



NOTES
 Prestressing steel shall be uncoated high strength, low relaxation 7-wire strand, Grade 270. The nominal diameter shall be 1/2" and the nominal cross-sectional area shall be 0.153 sq. in. Lifting loops shall be 3-1/2" diameter 270 ksi strands, as shown. The 1" rods in the transverse tie assembly shall be tightened to a snug fit and the threads set. Pockets that receive transverse tie bar on outside shall be filled with grout after transverse tie assembly is in place. Non prestressing steel shall conform to ASTM A706, Grade 60. The bearing seat surfaces shall be adjusted by shimming to assure firm and even bearing. Two 1/8" fabric adjusting shims of the dimensions of the Exterior Bearing Pad shall be provided for each bearing. (40 Required) Keyway surfaces shall be cleaned to remove form oil or other bond breaking material prior to shipment of the beams. Cleaning shall be done by sandblasting the keyway areas between top of the beam and the bottom edge of the key. Required Release Strength, f'cl, shall be 4,000 p.s.i. Rail post inserts, specified elsewhere, shall be cast into exterior face of outside beams. See Special Provisions for review and distribution of shop drawings.

BILL OF MATERIAL

Item	Unit	Quantity
Precast Prestressed Concrete Deck Beams (33" Depth)	Sq. Ft.	2,161
Estimated Total Weight (One Beam) = 54,420 Pounds		

SUPERSTRUCTURE
 SARATOGA - MILO ROAD DISTRICTS
 SECTIONS 05-10116-00-BR & 08-16114-00-BR
 MARSHALL - BUREAU COUNTIES
 STATION 15+05

DESIGNED	F.J.S.
CHECKED	J.A.M.
DRAWN	S.A.P.
CHECKED	J.A.M.