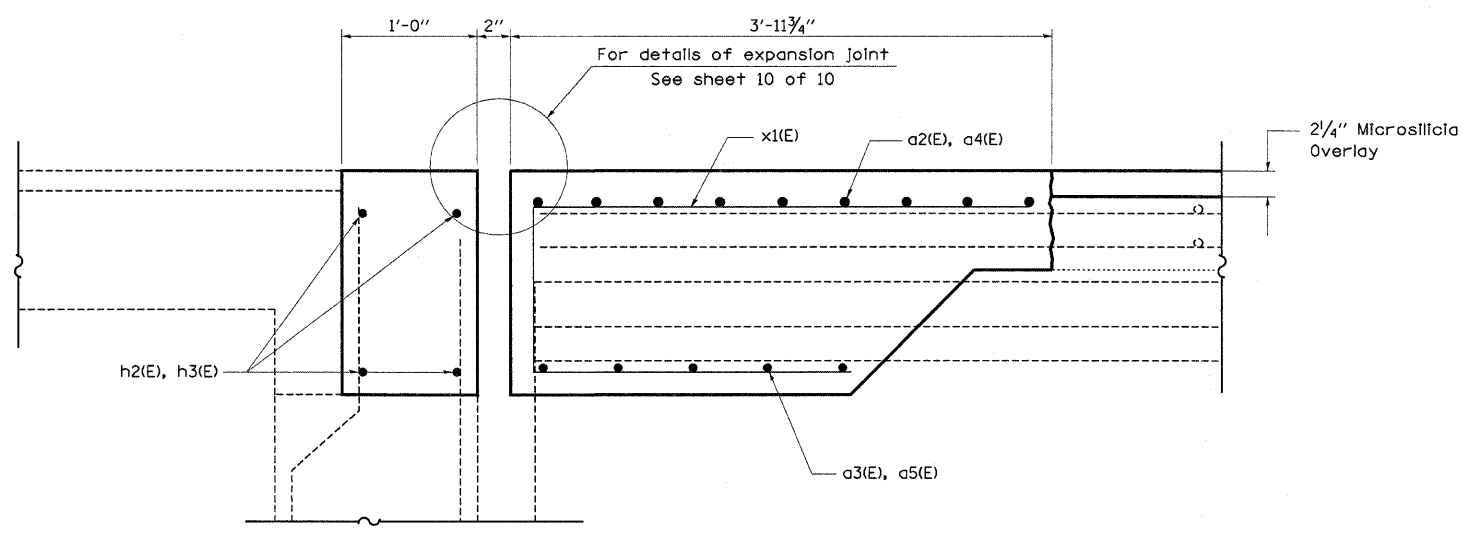
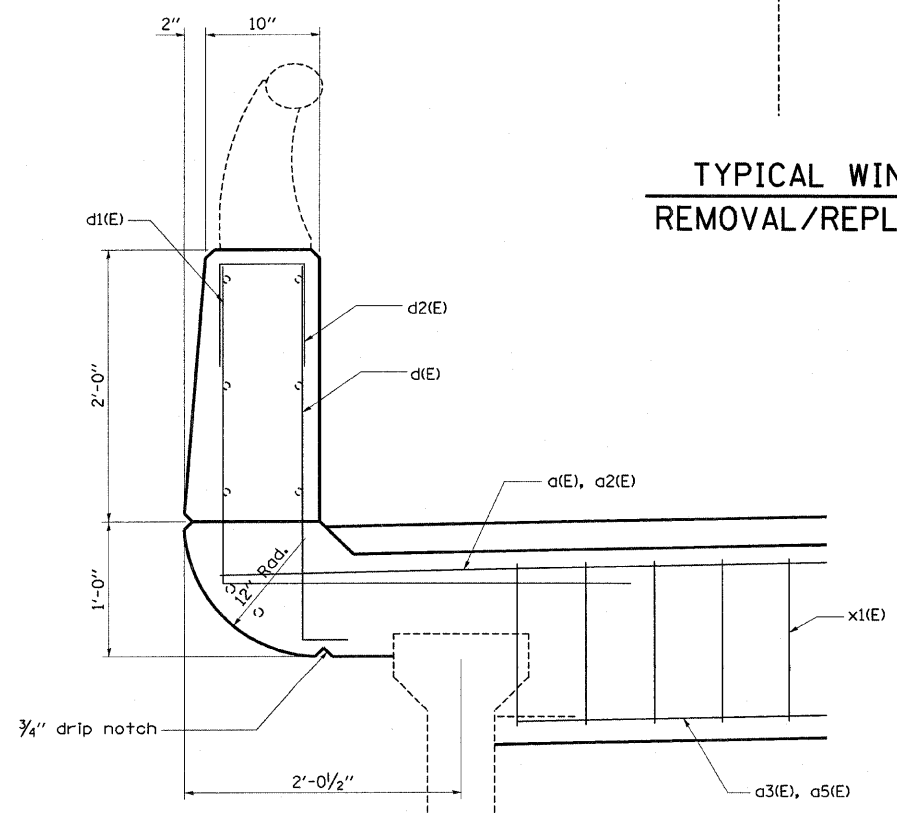


Note: Dimensions are based on a Rolled Rail Strip Seal Joint. If the Contractor elects to use the Welded Rail Strip Seal Joint, deck dimensions may require adjustments to satisfy the details on Base Sheet EJ-SSJ.

- Existing Reinforcement
- Proposed Reinforcement



SHEET NO. 5  
10 SHEETS

FILE NAME =	USER NAME = swartzw	DESIGNED -	REVISED -	<b>STATE OF ILLINOIS DEPARTMENT OF TRANSPORTATION</b>	<b>EXPANSION JOINT REPLACEMENT DETAILS SN 026-0005 (EB) &amp; SN 026-0006 (WB)</b>	F.A.I. RTE.	SECTION	COUNTY	TOTAL SHEETS	SHEET NO.	
ca:\pw_work\PW1001\SWARTZRW\dms36208\thel...design_94993.dgn	PLOT SCALE = 20,000 / IN.	DRAWN -	REVISED -			70	D-7 BRIDGE DECK REPAIRS	FAYETTE	59	28	
PLOT DATE = 10/17/2008	DATE -	CHECKED -	REVISED -			CONTRACT NO. 94993					
		DATE -	REVISED -			FED. ROAD DIST. NO. ILLINOIS FED. AID PROJECT					
				SCALE: N/A		SHEET NO. 5 OF 10 SHEETS		STA.		TO STA.	