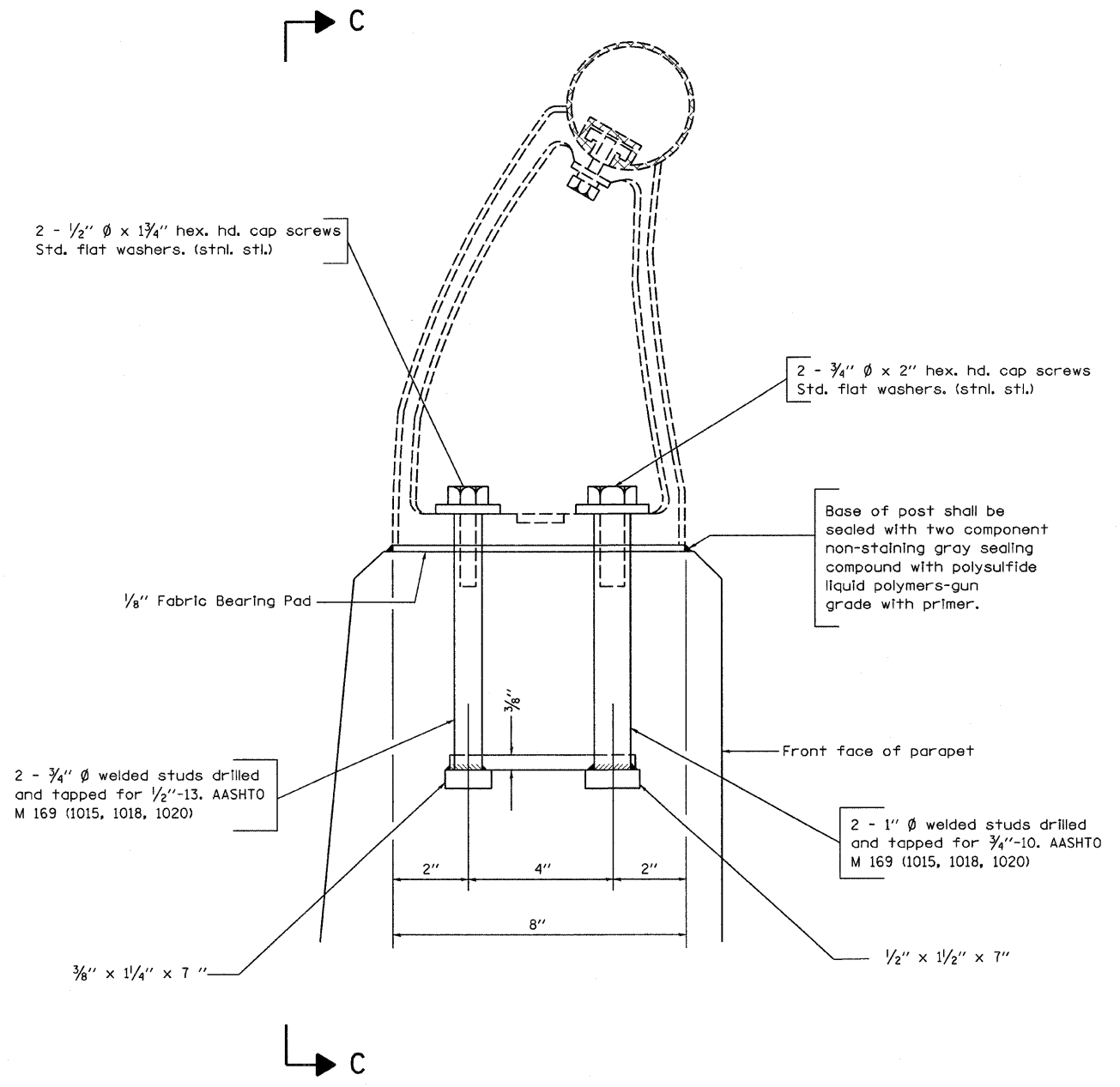


VIEW C-C



Note: New Rail Post anchorage devices will be required at each location where posts are connected to new construction. Cost shall be included with Concrete Superstructure.

FILE NAME =	USER NAME = swartzw	DESIGNED -	REVISED -
ca:\pwwork\PWIDOT\SWARTZRW\dms36208\th	edesign-94993.dgn	DRAWN -	REVISED -
	PLOT SCALE = 20,0000 ' / IN.	CHECKED -	REVISED -
	PLOT DATE = 10/17/2008	DATE -	REVISED -

**STATE OF ILLINOIS
DEPARTMENT OF TRANSPORTATION**

**RAIL SUPPORT ANCHOR DETAILS
SN. 026-0007 AND 026-0008**

SCALE: N/A SHEET NO. 10 OF 12 SHEETS STA. TO STA.

F.A.I. RTE.		SECTION	COUNTY	TOTAL SHEETS	SHEET NO.
70		D-7 BRIDGE DECK REPAIRS	FAYETTE	59	43
FED. ROAD DIST. NO.		ILLINOIS FED. AID PROJECT		CONTRACT NO. 94993	

SHEET NO. 10
12 SHEETS