

ROUTE NO.	SECTION	CITY	TOTAL SHEETS	SHEET NO.
FAU 7356	08-0007-00-RP	FORSYTH	25	18
FED. ROAD DIST. NO.	ILLINOIS		PROJECT W-5168 (041)	

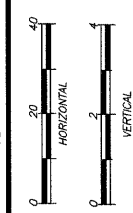
CONTRACT NUMBER 95564

REVISIONS	
NO.	DATE

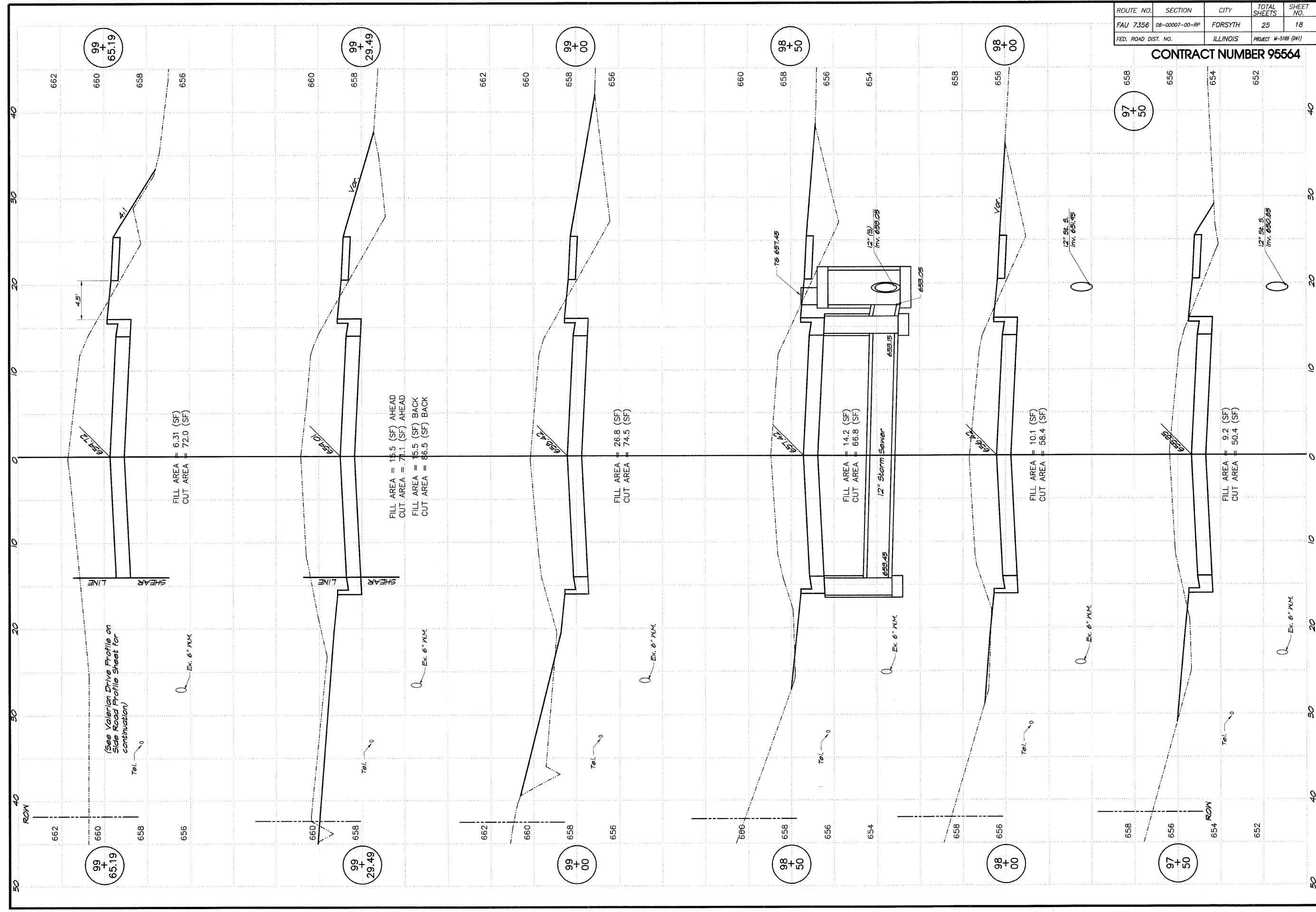
BAINBRIDGE & ASSOCIATES, INC.
GILL MILANSKI
 Consulting Engineers
 1870 SOUTH TAYLORVILLE ROAD
 DECATUR ILLINOIS
 PHONE: 219-282-5200

DESIGNED	MHP	SCALE	1" = 20'
DRAWN	Les Jenkins	DATE	Jan. 2008
FIELD BOOK	000	JOB NO.	07-07B

VILLAGE OF FORSYTH, ILLINOIS
 HICKORY POINT DRIVE IMPROVEMENTS
 CROSS SECTIONS - HICKORY POINT DRIVE
 STATION 97+50.00 TO 99+65.19



SHEET NO.
18
 OF
 25



S:\PROJECTS\07-07B\Hickory Point Drive\Drawings\Sheet 18.dwg 12/16/2008 9:58:03 AM