
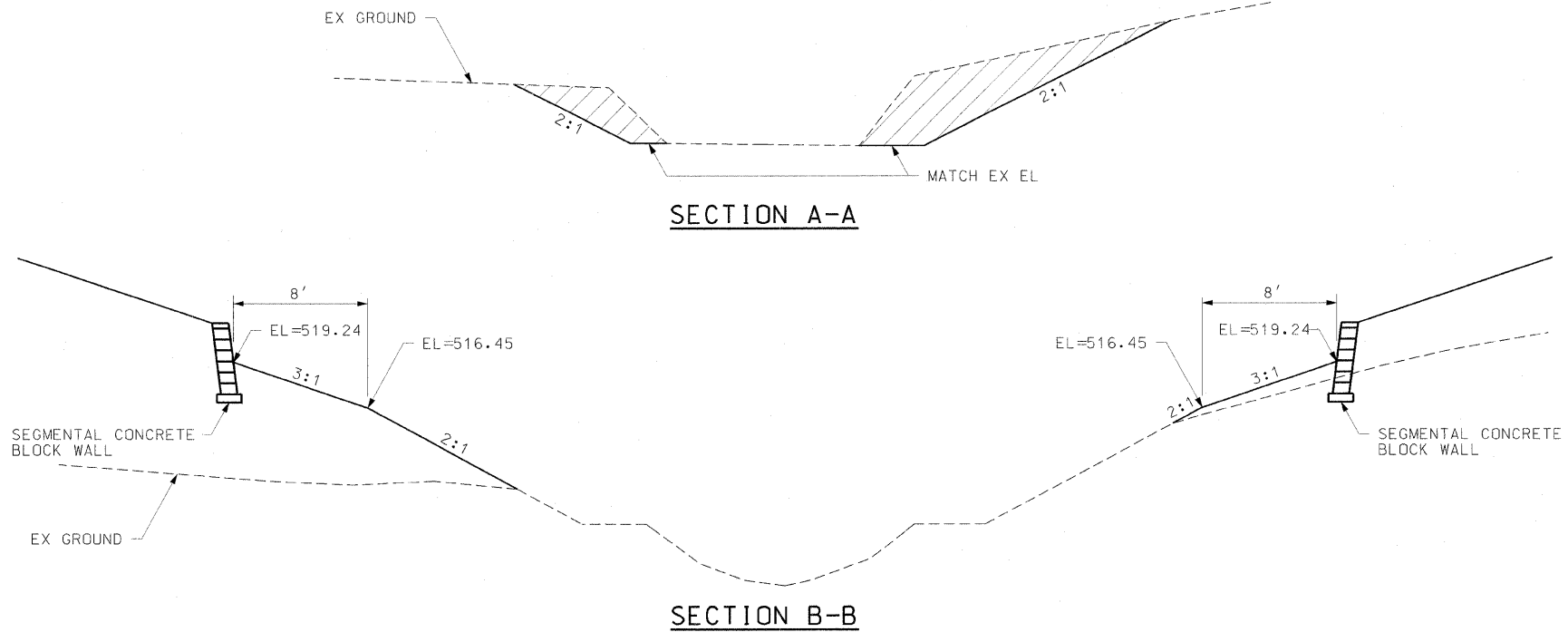


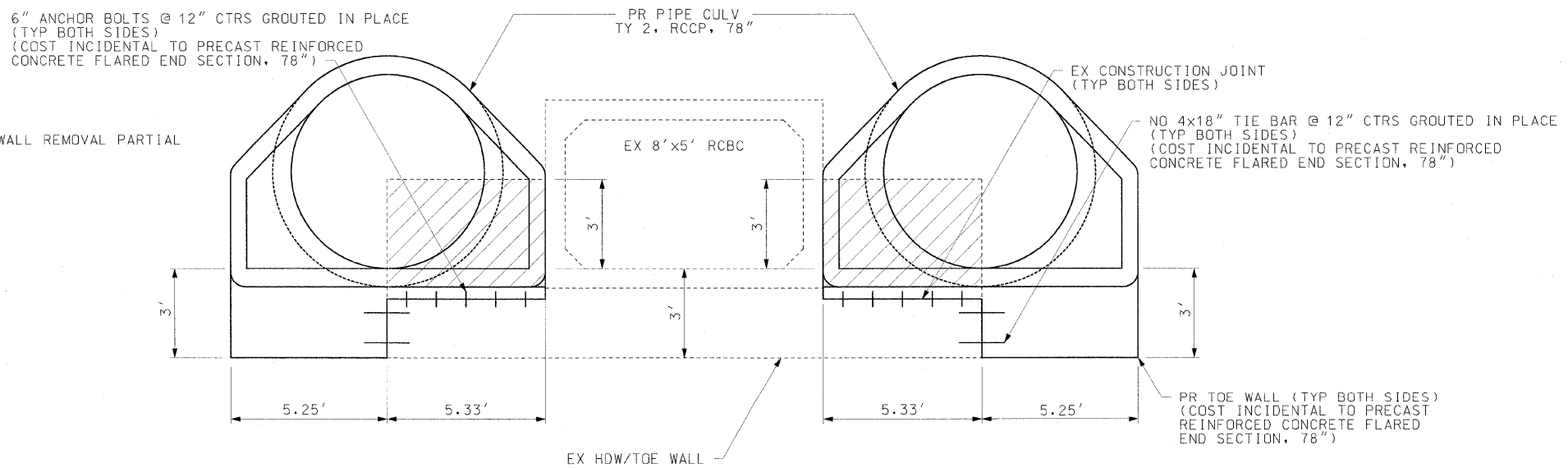
F.A.U. RTE.	SECTION	COUNTY	TOTAL SHEETS	SHEET NO.
8894	05-00073-01-PV	MADISON	68	37
STA. N.A.		TO STA. N.A.		
FED. ROAD DIST. NO.	ILLINOIS	FEDERAL AID PROJECT		

 CHANNEL EXCAVATION

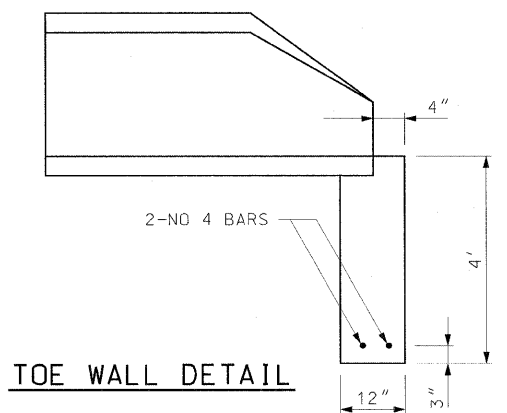


CHANNEL EXCAVATION DETAILS

 CONCRETE HEADWALL REMOVAL PARTIAL



PARTIAL CONCRETE HEADWALL REMOVAL DETAIL



1

REVISIONS	
NAME	DATE
REVISION #1	2/6/09

ILLINOIS DEPARTMENT OF TRANSPORTATION

MISCELLANEOUS DETAILS

SCALE: VERT. N/A
 HORIZ. 1"=10'
 DATE 11/5/03

DRAWN BY AJK, RJM
 CHECKED BY JWb