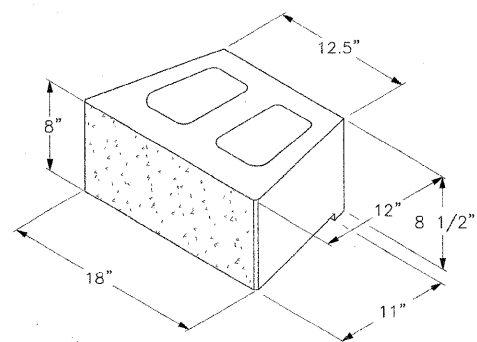
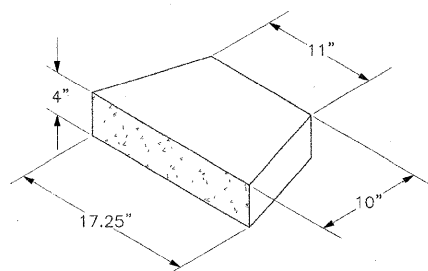


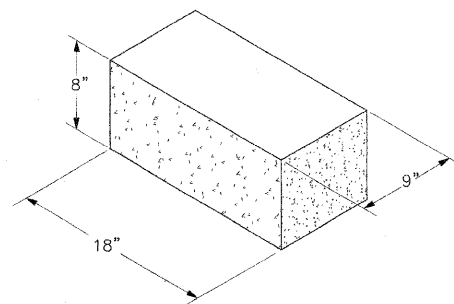
F.A. DIST. NO.	SECTION	COUNTY	TOTAL SHEETS	SHEET NO.
8894	05-00073-01-PV	MADISON	68	47
STA. N.A.		TO STA. N.A.		
FED. ROAD DIST. NO.	ILLINOIS	FEDERAL AID PROJECT		



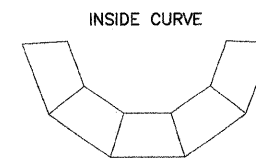
BLOCK DETAIL
(NTS)



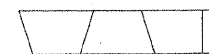
CAP UNIT DETAIL
(NTS)



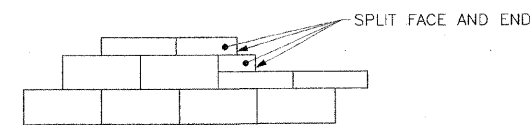
CORNER UNIT
(NTS)



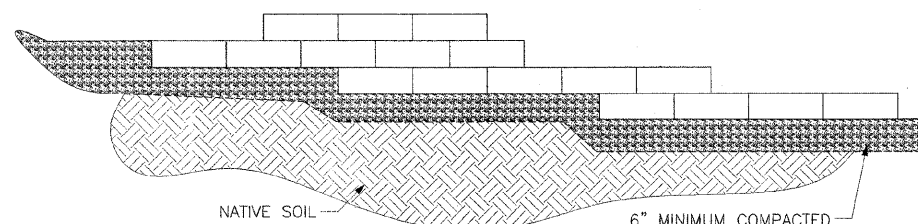
TOP



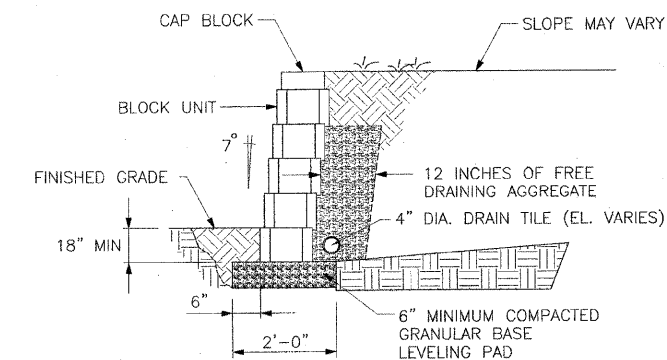
WALL FACE



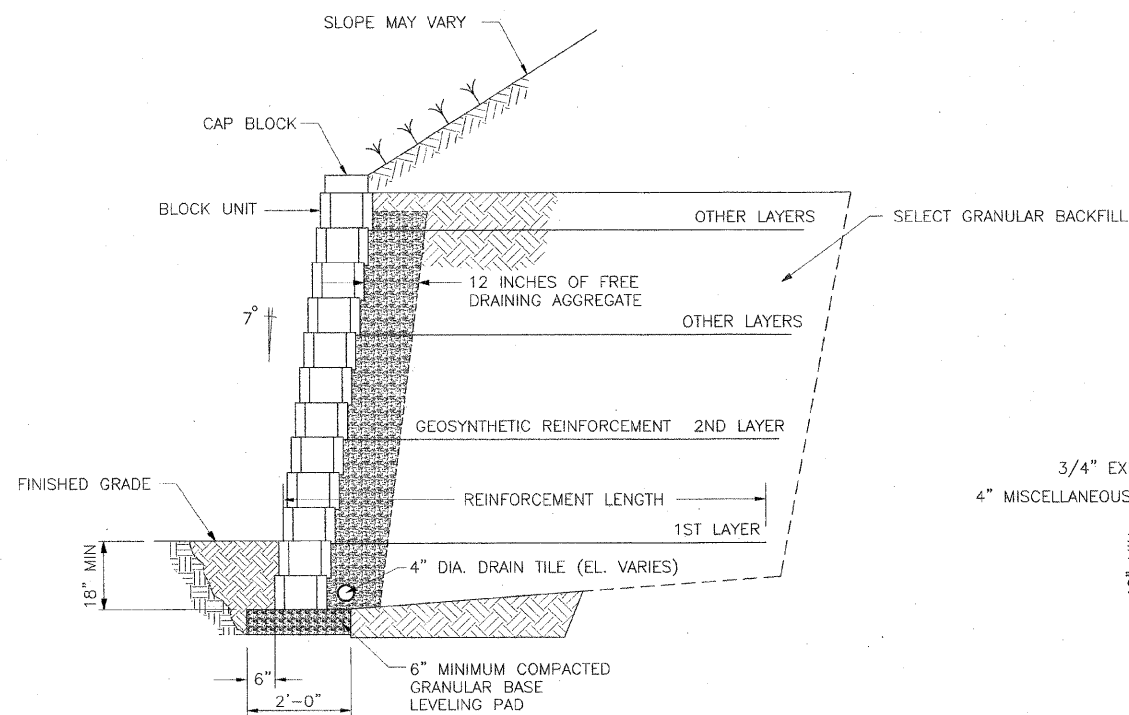
CAP BLOCK DETAILS
(NTS)



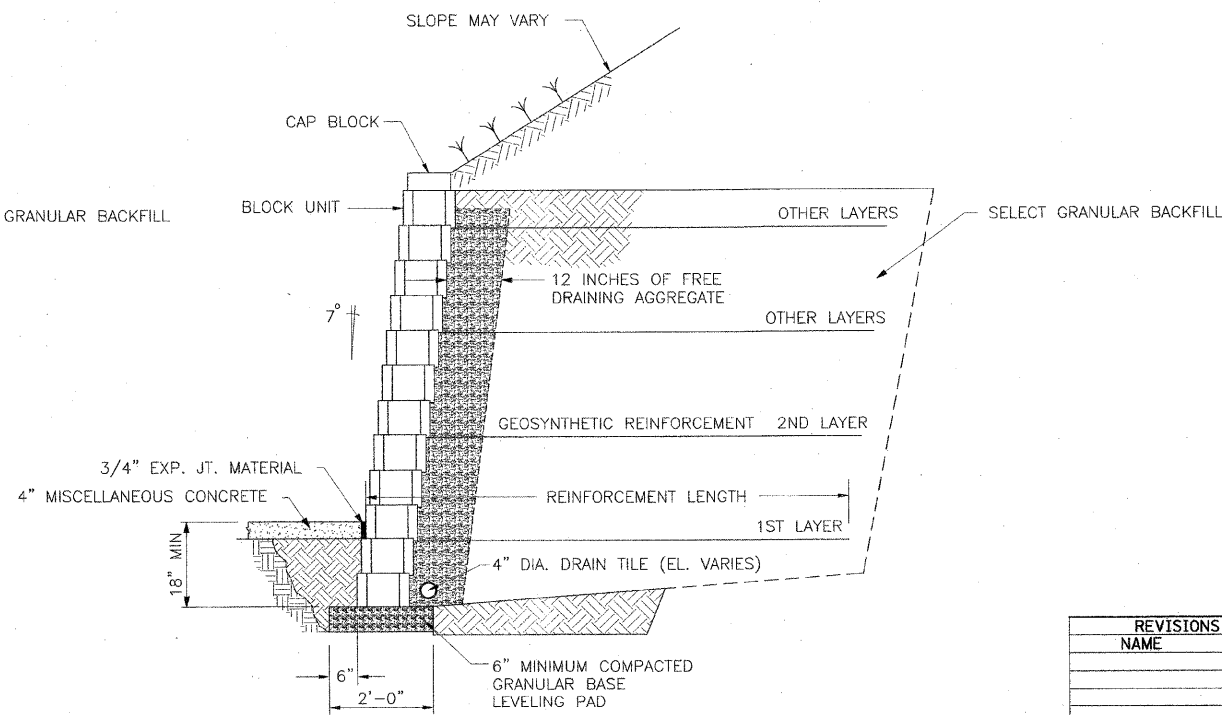
TYPICAL STEP-UP DETAIL
(NTS)



GRAVITY WALL
(NTS)



REINFORCED WALL
(NTS)



MISCELLANEOUS CONCRETE BELOW WALL
(NTS)

REVISIONS	
NAME	DATE

ILLINOIS DEPARTMENT OF TRANSPORTATION

**SEGMENTAL CONCRETE
BLOCK WALL DETAILS**

SCALE: VERT. N/A
HORIZ. N/A
DATE 11/5/03

DRAWN BY AJK, RJM
CHECKED BY JWB