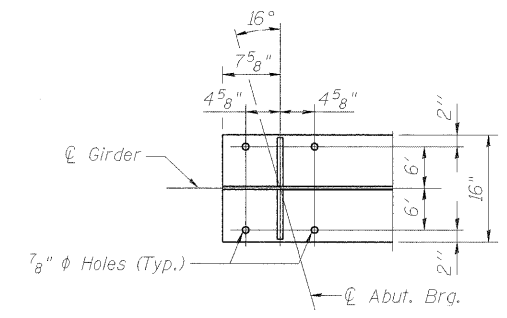
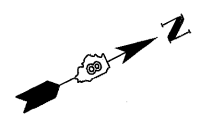
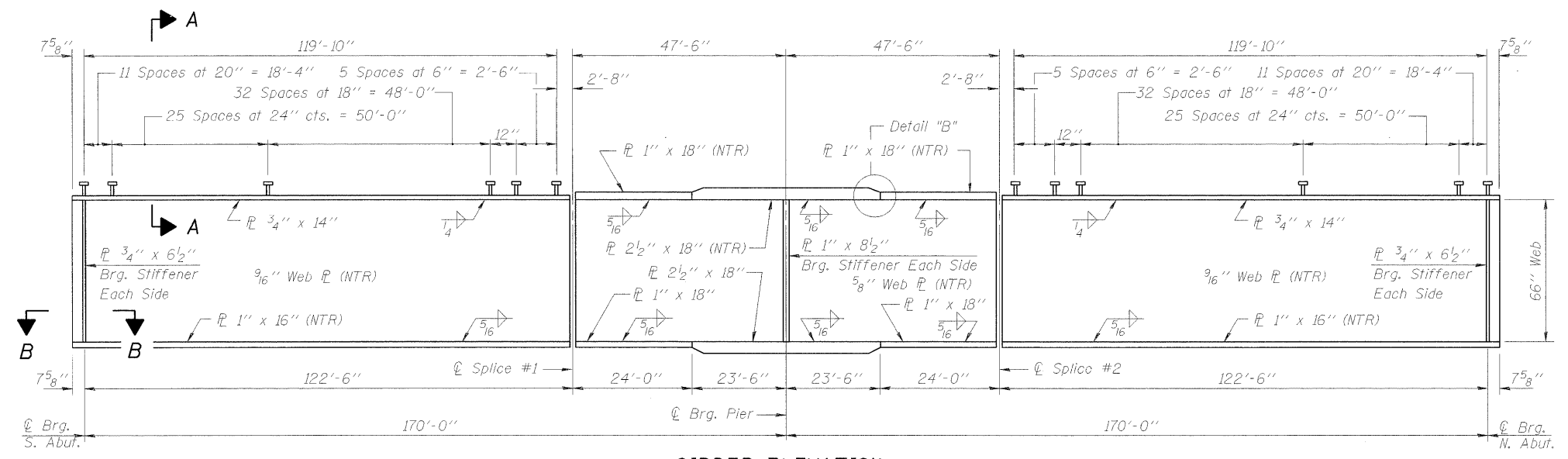


FRAMING PLAN

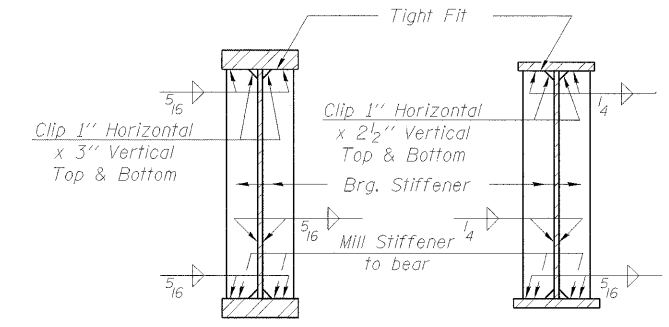


SECTION B-B
(Typ. Each End)



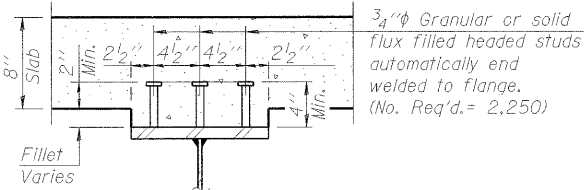
GIRDER ELEVATION

"NTR" denotes plates to which notch toughness requirements are applicable.

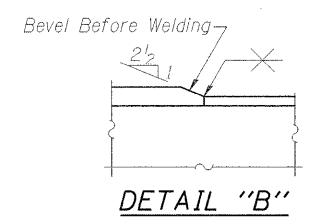


SECTION AT PIER

SECTION AT ABUTMENT



SECTION A-A



DETAIL "B"

Note:
All cross frames or diaphragms shall be installed as steel is erected and secured with erection pins and bolts except as otherwise noted. Individual cross frames or diaphragms at supports may be temporarily disconnected to install bearing anchor rods.
For cross frame details and splice plate details see sheet 14 of 30.
Load carrying components designated "NTR" shall conform to the Supplemental Requirements for Notch Toughness, Zone 2.
All flanges, webs, bearing stiffeners, splice plates and fill plates shall conform to the requirements of AASHTO M270 Grade 50.

STRUCTURAL STEEL
ANDREWS DRIVE over
U.S. ROUTE 40 ; CSX RR and IL. WESTERN RR
SEC. 99-00036-00-BR
STR. NO. 003-6000
CITY OF GREENVILLE
BOND COUNTY
STATION 117+73.00
PROFESSIONAL DESIGN FIRM LICENSE #184-001084
© Copyright Hanson Professional Services Inc. 2008

HANSON
Hanson Professional Services Inc.

JOB NO.
04S2012
DATE
12/10/08

LAYOUT: MMN 03/07/08
 DRAWN: DAP 03/07/08
 REVIEWED: MMN 03/07/08
 12/23/2008
 I:\04 Jobs\04S2012\CAD\Struct\Sheet\Structural Steel.dgn