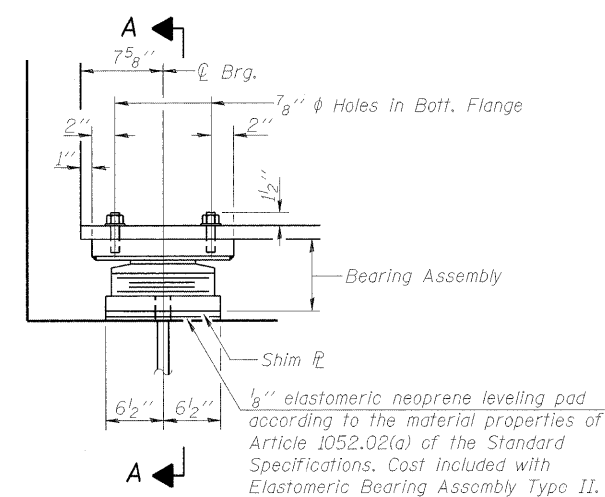
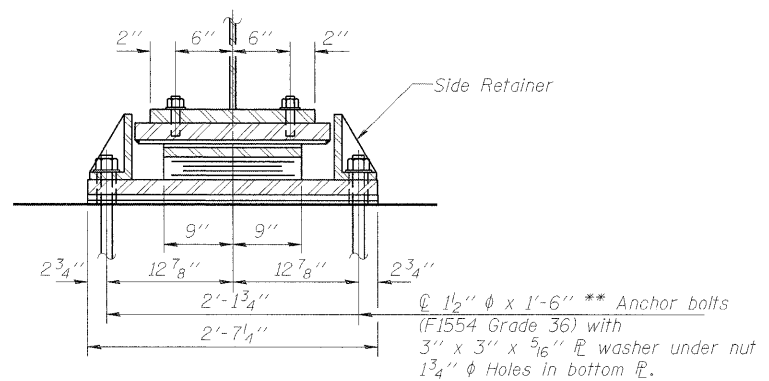


Contract #97366 ***99-00036-00-BR

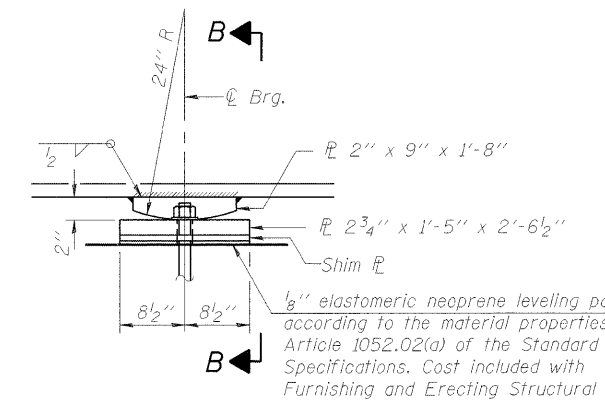
** Lengths shown are the required total lengths for cast-in-place headed anchor bolts. The required total length for the sealed capsule alternative anchor bolt shall be according to the manufacturer's recommendations.



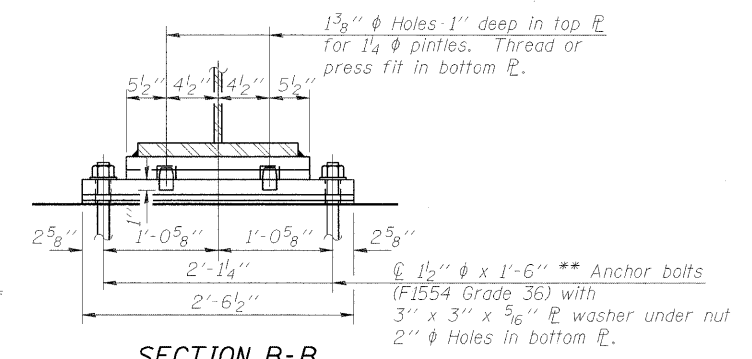
ELEVATION AT ABUT.



SECTION A-A

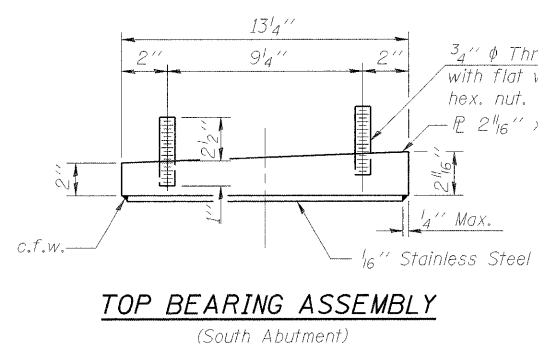


ELEVATION AT PIER

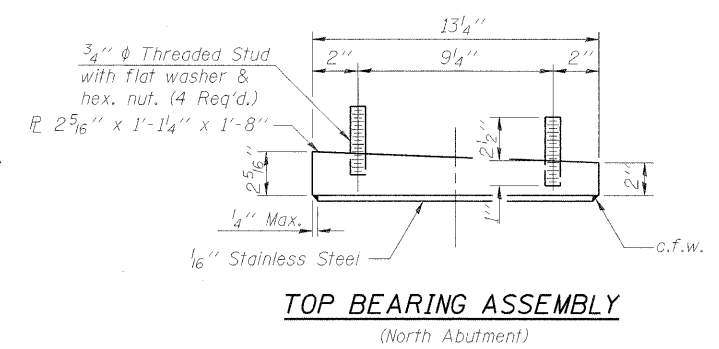


SECTION B-B

TYPE II ELASTOMERIC EXP. BRG.

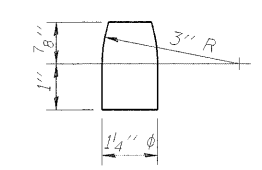


TOP BEARING ASSEMBLY
(South Abutment)



TOP BEARING ASSEMBLY
(North Abutment)

FIXED BEARING



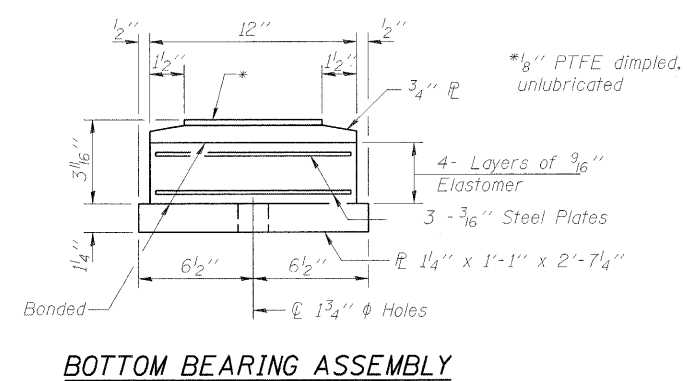
PINTLE

Notes:
Anchor bolts shall be ASTM F1554 all-thread (or an Engineer-approved alternate material) of the grade(s) and diameter(s) specified. ASTM A307 Grade C anchor bolts may be used in lieu of ASTM F1554 Grade 36 (Fy=36ksi). The corresponding specified grade of AASHTO M314 anchor bolts may be used in lieu of ASTM F1554.
Anchor bolts at fixed bearings may be either cast in place or installed in holes drilled after the supported member is in place.
Anchor bolts for Type II bearings shall be placed in holes drilled through the bottom bearing plate after members are in place. Side retainers shall be placed after bolts are installed.
Drilled and set anchor bolts shall be installed according to Article 521.06 of the Standard Specifications.
Side retainers and other steel members required for the bearing assembly shall be included in the cost of Elastomeric Bearing Assembly, Type II.

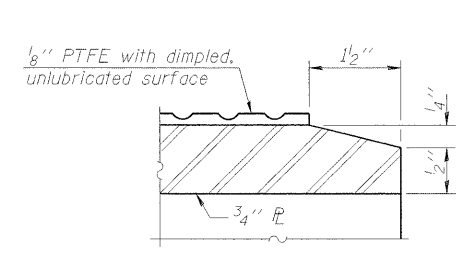
The 1/8" PTFE sheet shall be bonded directly to the top steel plate with a two-component, medium viscosity epoxy resin, conforming to the requirements of the Federal Specification MMM-A-134, Type I. The bond agent shall be applied on the full area of the contact surfaces.
Bonding of 1/8" PTFE sheet during vulcanizing process will be permitted provided the process and method of adjusting assembly height is approved by the Engineer.
Two 1/8 in. adjusting shims shall be provided for each bearing in addition to all other plates or shims and placed as shown on bearing details.

One 1/2 in., one 1/4 in. and two 1/8 in. adjusting shims shall be provided for each abutment bearing in addition to all other plates or shims and placed as shown on bearing details. These shims shall be used to adjust the bearing seat surfaces to the designated elevations for a max. 1" settlement at abutments that may occur before the steel is erected. Cost included with Furnishing and Erecting Structural Steel.

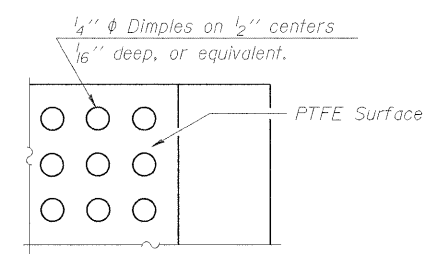
Provide an additional 1/4" Shim at Girder #3 and a 3/16" shim at Girder #4 for South Abutment only. Cost included with Furnishing and Erecting Structural Steel.
The structural steel plates of the Bearing Assembly shall conform to the requirements of AASHTO M 270 Grade 50.



BOTTOM BEARING ASSEMBLY



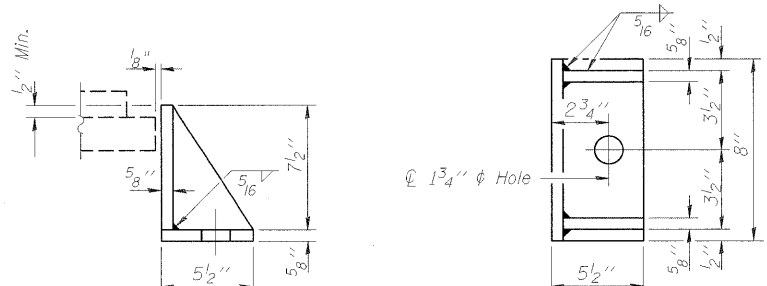
SECTION THRU PTFE



PLAN-PTFE SURFACE

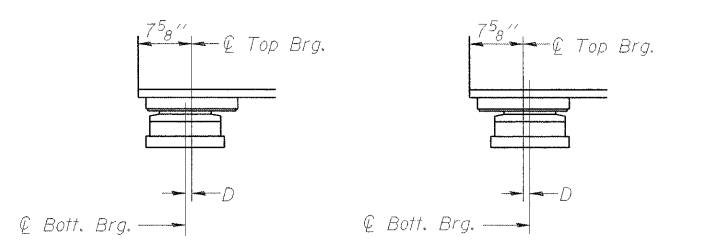
BILL OF MATERIAL

Item	Unit	Total
Elastomeric Bearing Assembly, Type II	Each	10
Anchor Bolts, 1 1/2" phi	Each	30



SIDE RETAINER

Equivalent rolled angle with stiffeners will be allowed in lieu of welded plates.



SETTING ANCHOR BOLTS AT EXP. BRG.
(Move bott. brg. away from fixed brg.) (Move bott. brg. toward fixed brg.)

SETTING ANCHOR BOLTS AT EXP. BRG.

D=1/8" per each 100' of expansion for every 15° temp. change from the normal temp. of 50°F.

BEARING DETAILS
ANDREWS DRIVE over
U.S. ROUTE 40 : CSX RR and IL. WESTERN RR
SEC. 99-00036-00-BR
STR. NO. 003-6000
CITY of GREENVILLE
BOND COUNTY
STATION 117+73.00
PROFESSIONAL DESIGN FIRM LICENSE #184-001084
© Copyright Hanson Professional Services Inc. 2008

HANSON
Hanson Professional Services Inc.

JOB NO.
04S2012
DATE
12/10/08

LAYOUT: MMW 05/07/08
 DRAWN: DAP 05/07/08
 REVIEWED: MMW 05/07/08
 12/23/2008
 R:\04\jobs\0452012\CADD\Struct\Sheet\Exp-Brg.dgn