

NO GENERAL NOTES ON THIS SHEET.

issued	description
01.09.09	IDOT Submittal

ROOF PLAN & DETAILS

CHESTER WELCOME CENTER

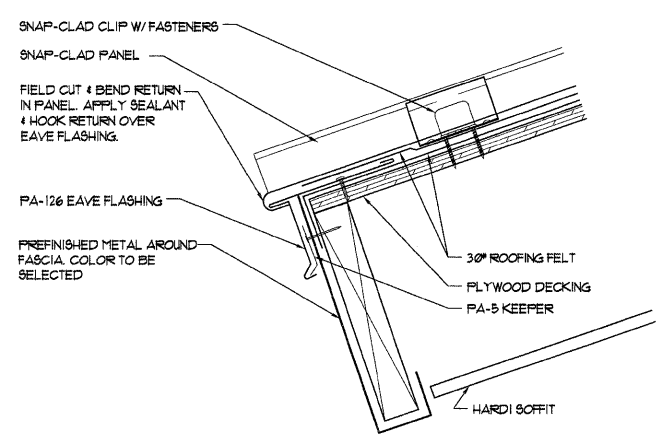
Chester, Illinois

QUADRANT
design
architects & planners

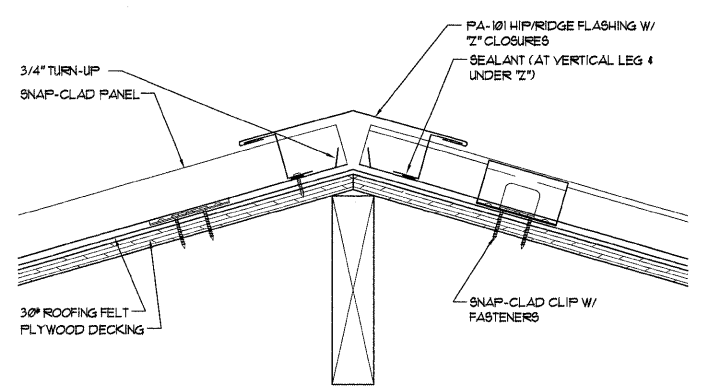
135 south main street
waterloo, illinois 62298
phone 618.939.0606

job number 20525
drawn by JE
checked by MFS
file name Welcome Center Plan
scale noted

sheet **A2.3**



3 EAVE DETAIL
SCALE: 3/4" = 1'-0"



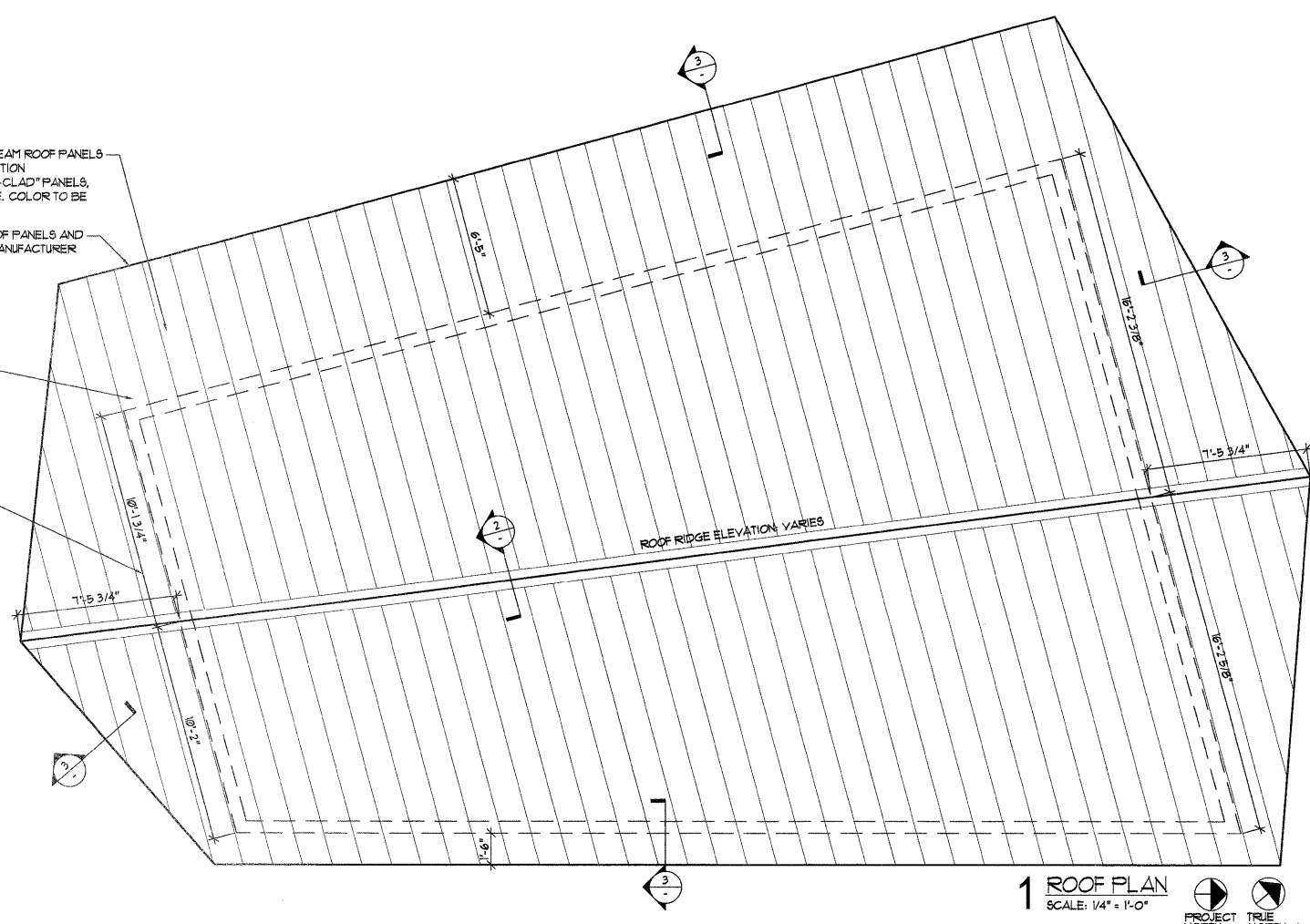
2 STANDING SEAM RIDGE DETAIL
SCALE: 3/4" = 1'-0"

ARCHITECTURAL METAL STANDING SEAM ROOF PANELS BY "PETERSEN ALUMINUM CORPORATION (PAC-CLAD)" SYSTEM TO BE "SNAP-CLAD" PANELS, 24 GAUGE STEEL, 1 3/4" HIGH, 16" WIDE. COLOR TO BE SELECTED BY ARCHITECT

ALL FLASHING & TRIM TO MATCH ROOF PANELS AND BE FABRICATED BY ROOF PANEL MANUFACTURER

LINE OF WALL BELOW

ROOF DIMENSIONS ARE TO FACE OF WALL SHEATHING



1 ROOF PLAN
SCALE: 1/4" = 1'-0"

