

NO GENERAL NOTES ON THIS SHEET.

ROOM FINISH SCHEDULE

ROOM NO.	ROOM NAME	WALLS				CEILING		FLOOR		REMARKS
		NORTH	SOUTH	EAST	WEST	MATERIAL	FINISH HEIGHT	MATERIAL	FINISH BASE	
101	PUBLIC DISPLAY	GYP FT	GYP FT	GYP FT	GYP FT	ACT	VARIES	CONC.		VIN-1
102	SECURED DISPLAY	GYP/CT-1	GYP/CT-1	GYP/CT-1	GYP/CT-1	GYP FT	9'-11"	CONC.		CT-3
104	WOMEN'S TOILET	GYP/CT-1	GYP/CT-1	GYP/CT-1	GYP/CT-1	GYP FT	9'-11"	CONC.		CT-3
105	CHAMBER OFFICE	GYP FT	GYP FT	GYP FT	GYP FT	ACT	9'-0"	CONC.		VIN-1
106	CLOSET	GYP FT	GYP FT	GYP FT	GYP FT	GYP FT	9'-11"	CONC.		VIN-1
107	JANITOR	GYP FT	GYP FT	GYP FT	GYP FT	GYP FT	9'-11"	CONC.		VIN-1

BUILDING AND FINISH MATERIAL SCHEDULE

SYMBOL	MATERIAL	MANUFACTURER	NUMBER/NAME	COMMENTS
ACT	ACOUSTICAL CEILING TILE 4 GRID	ARMSTRONG	15/16" PRELUDE GRID W/ CORTEGA SECOND LOOK CEILING TILE	COLORS TO BE SELECTED
CONC	STAINED 4 POLISHED CONCRETE	LMI		SEE SPECIFICATIONS
CT-1	CERAMIC TILE WALL	DALTILE	FOLIO TWO 6x6" GLAZED CERAMIC TILE	COLOR TO BE SELECTED
CT-2	CERAMIC BULLNOSE TILE	DALTILE	FOLIO TWO 6x6" GLAZED CERAMIC BULLNOSE TILE AT TOP OF WAINSCOT	COLOR TO BE SELECTED
CT-3	CERAMIC TILE BASE	DALTILE	FOLIO TWO 6x6" GLAZED CERAMIC TILE	COLOR TO BE SELECTED
GYP	GYP/UM BOARD		5/8" THICK GYP/UM BOARD	USE GREEN BD. AT NET LOCATIONS
PT	PAINT			SEE PAINT SCHEDULE AND SPECIFICATIONS
VIN-1	VINYL WALL BASE	ARMSTRONG	4" COVED GYP/UM INTEGRATED VINYL WALL BASE	COLOR TO BE SELECTED

EXTERIOR BUILDING MATERIAL SCHEDULE

MATERIAL	MANUFACTURER	NUMBER/NAME	COMMENTS
METAL ROOF PANELS	PAC-CLAD	SEE ROOF PLAN SHEET A2.3	
FIBERCEMENT SIDING 4 TRIM	JAMES HARDIE	SEE WALL SECTIONS 4 DETAILS 6 FOR TRIM SIZES, TEXTURE, ETC.	
STONE VENEER	SEMCO	SEE BUILDING ELEVATION #2 SHEET A4.1	
STOREFRONT WINDOWS 4 DOORS	MANKO	SEE WINDOW TYPES THIS SHEET	
SIGNAGE LETTERS	GEMINI	SEE ELEVATION #2 SHEET A4.1	

PAINT SCHEDULE

ALL COLORS TO BE SELECTED BY ARCHITECT. CONTACT ARCHITECT IMMEDIATELY IF PAINT SYSTEM FOR A BUILDING MATERIAL IS OMITTED.

FINISH MATERIAL	PRIME COAT	NOTE: ALL PAINT TO BE 'BENJAMIN MOORE' OR APPROVED EQUIV.	FINISH COAT
GYP/UM BOARD	REGAL FIRSTCOAT (216)		2 COATS REGAL AQUAPEARL (310) = PEARL
INTERIOR MTL DOOR FRAMES	IRONCLAD LATEX LOW LUSTRE METAL 4 WOOD ENAMEL (363)		2 COATS REGAL AQUAGLO (333)
HARDI TRIM 4 SIDING	FRESH START ACRYLIC PRIMER (023)		2 COATS MOORCRAFT SUPER SPEC LATEX HOUSE 4 TRIM PAINT

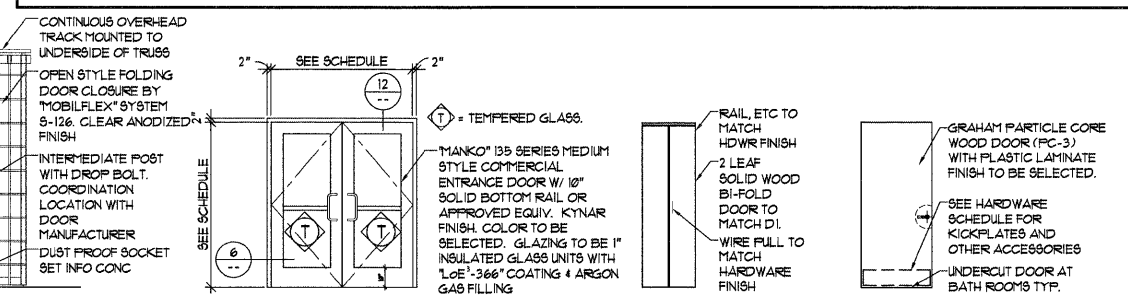
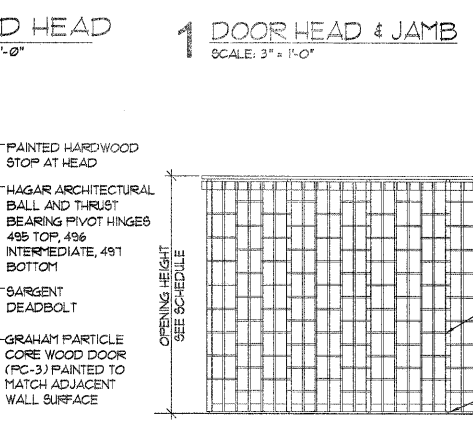
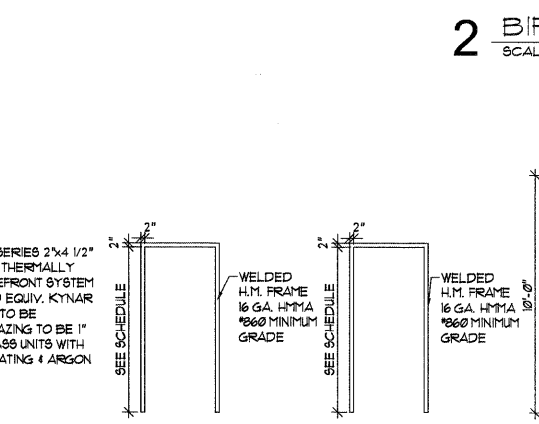
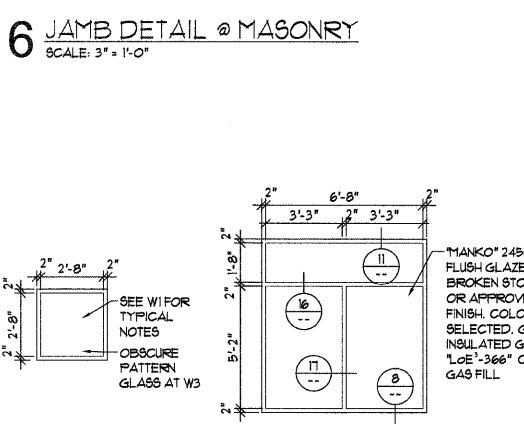
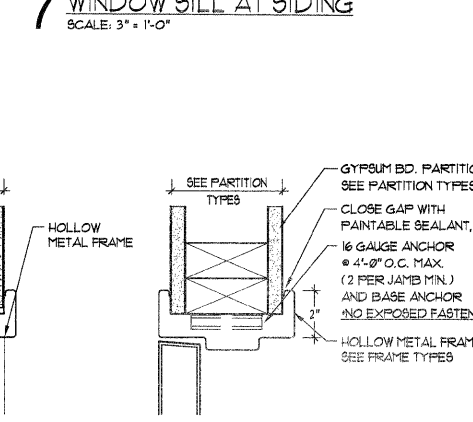
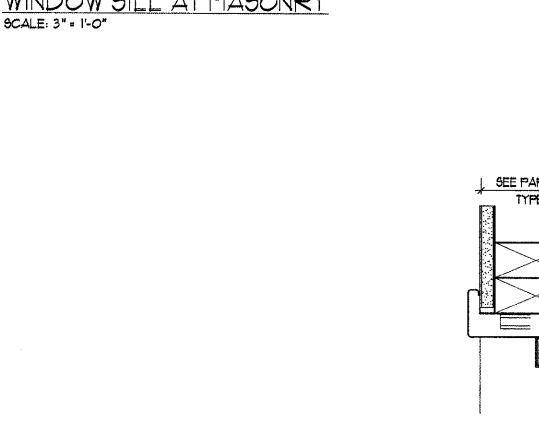
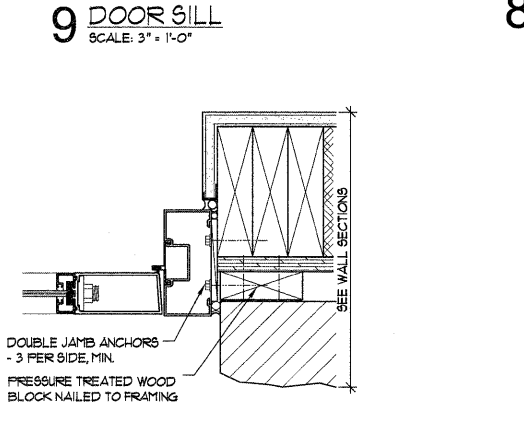
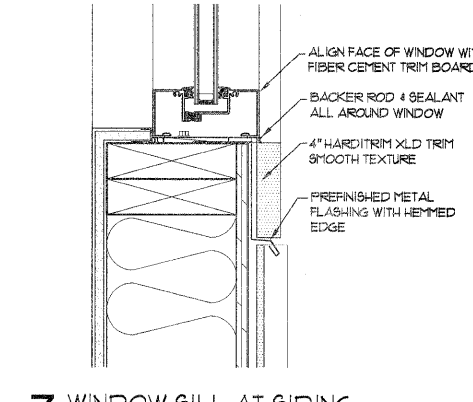
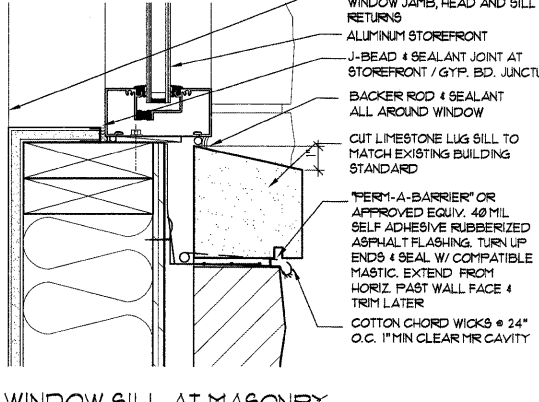
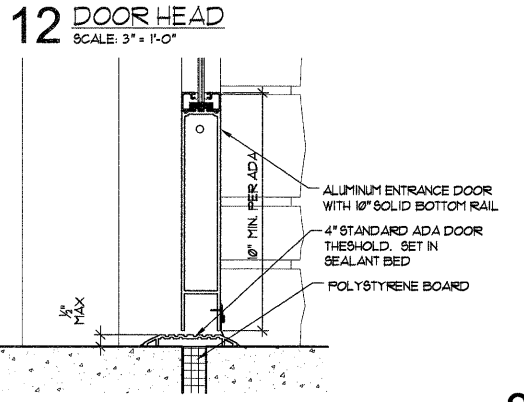
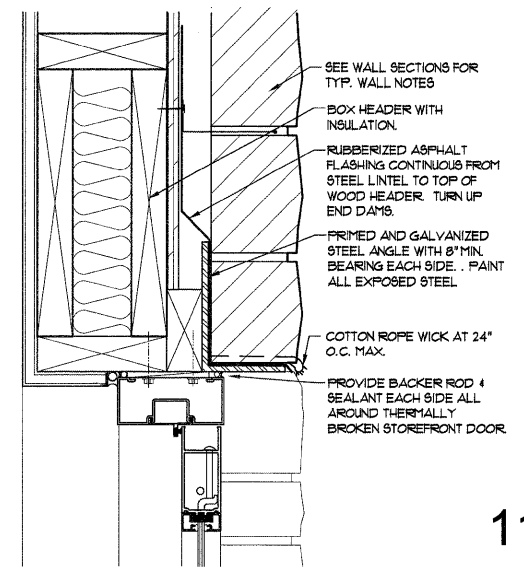
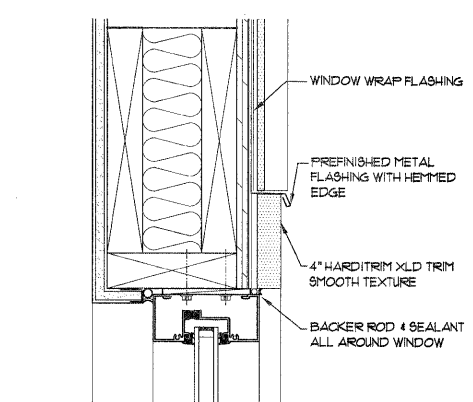
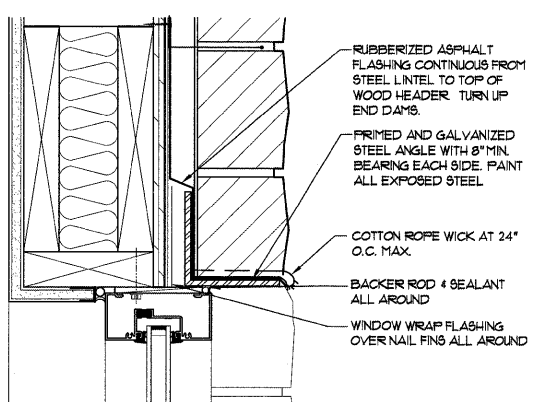
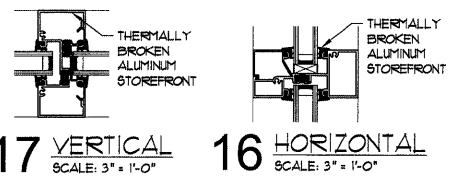
DOOR SCHEDULE

DOOR NO.	LOCATION	DOOR		FRAME		DETAILS (THIS SHEET)			U.L. LABEL	HWDR. SET	REMARKS		
		FRAME	OPENING	TYPE	FIN.	TYPE	FIN.	HEAD				JAMB	SILL
101A	PUBLIC DISPLAY	6'-0" X 1'-0"	13/4"	D3	ASF KYNAR	D3	KYNAR	12	6	9	-	H1	
101B	PUBLIC DISPLAY	5'-0" X 10'-0"	-	D4	ALUM ANOD.	-	-	-	-	-	-	-	
101C	PUBLIC DISPLAY	1'-2" X 10'-0"	13/4"	D5	WD FT	-	-	-	-	-	-	-	VERIFY DOOR SIZE IN FIELD
102	SECURED DISPLAY	6'-0" X 1'-0"	13/4"	D3	ASF KYNAR	D3	KYNAR	12	6	9	-	H1	
103	MEN'S TOILET	3'-0" X 1'-0"	13/4"	D1	WD FLAM	F1	FT	1	1	-	-	H2	UNDERCUT DOOR 1"
104	WOMEN'S TOILET	3'-0" X 1'-0"	13/4"	D1	WD FLAM	F1	FT	1	1	-	-	H2	UNDERCUT DOOR 1"
105A	CHAMBER OFFICE	3'-0" X 1'-0"	13/4"	D1	WD FLAM	F1	FT	1	1	-	-	H4	
105B	CHAMBER OFFICE	2'-6" X 1'-0"	13/4"	D2	WD FLAM	F2	FT	2	-	-	-	H5	
106	CLOSET	3'-0" X 1'-0"	13/4"	D1	WD FLAM	F1	FT	1	1	-	-	H6	
107	JANITOR	3'-0" X 1'-0"	13/4"	D1	WD FLAM	F1	FT	1	1	-	-	H3	UNDERCUT DOOR 1"

HARDWARE SCHEDULE

SET NO.	LOCKSET	HINGE	CLOSER	OTHER ITEMS / REMARKS
H1	DOUBLE DOOR STOREFRONT ENTRANCE	TWO SARGENT 8400 SERIES PANIC DEVICE W/ CONCEALED VERTICAL RODS 4 CTL UNDER DOGGING. AUXILIARY CONTROL (80) ON ACTIVE LEAF. ADA STAINLESS STEEL FULL 4842 SATIN STAINLESS STEEL FINISH (32D)	MFR STD STANDARD 3 PIVOTS-TOP BOTTOM, AND INTERMEDIATE	DORMA 1414 SURFACE APPLIED DOOR CLOSER W/ COVER
H2	TOILET	ROCKWOOD 100 FULL 100 4x18" PUSH BAR EACH SIDE. K1000 8x24" KICK PLATE. US32D SATIN STAINLESS STEEL FINISH. 481 DEADBOLT WITH ADA THURSTON	4 1/2x4 1/2" MCKINNEY #1A214 (1 1/2 PAIR)	DORMA 1414 SURFACE APPLIED DOOR CLOSER W/ COVER
H3	CLASSROOM	SARGENT 10 LINE LEVER TYPE CLASSROOM LOCKSET WITH LB TRIM OR APPROVED EQUIV.	4 1/2x4 1/2" MCKINNEY #1A214 (1 1/2 PAIR)	DORMA 1414 SURFACE APPLIED DOOR CLOSER W/ COVER
H4	OFFICE	SARGENT 10 LINE LEVER TYPE OFFICE LOCKSET WITH LB TRIM OR APPROVED EQUIV.	4 1/2x4 1/2" MCKINNEY #1A214 (1 1/2 PAIR)	NONE
H5	BIFOLD	HAGER 9810 SERIES HEAVY DUTY BI-FOLD ALUMINUM TRACK 4 HARDWARE WITH 4" WIRE FULL HANDLE (ADA)	MFR STD FINISH TO MATCH	NONE
H6	PASSAGE	SARGENT 10 LINE LEVER TYPE PASSAGE LOCKSET WITH LB TRIM OR APPROVED EQUIV.	4 1/2x4 1/2" MCKINNEY #1A214 (1 1/2 PAIR)	NONE

1. HARDWARE SCHEDULE INCLUDES TRADE NAMES THAT REPRESENT DESIRED FUNCTION, FEATURES 4 QUALITY. APPROVED EQUIVALENT ITEMS SHOULD BE SUBMITTED BEFORE BID IS BASED ON SUCH MATERIALS.
2. PROVIDE A GRAND MASTER / MASTER KEY SYSTEM. COORDINATE WITH ARCHITECT.



DOOR & WINDOW TYPES, DETAILS, & SCHEDULES

CHESTER WELCOME CENTER

Chester, Illinois

QUADRANT design architects & planners

135 south main street
waterloo, illinois 62298
phone 618.939.0606

job number 20525
drawn by JES
checked by MS
file name W.Center Detail
scale noted