

**THOUVENOT, WADE & MOERCHEN, INC.**  
ENGINEERS • SURVEYORS • PLANNERS



**CORPORATE OFFICE**  
4940 OLD COLLINSVILLE RD.  
SWANSEA, ILLINOIS 62226  
TEL (618) 624-4488  
FAX (618) 624-6688  
corp@twm-inc.com

**WATERLOO OFFICE**  
113 SOUTH MAIN STREET  
WATERLOO, ILLINOIS 62298  
TEL (618) 939-5050  
FAX (618) 939-3938  
waterloo@twm-inc.com

**EDWARDSVILLE OFFICE**  
1015B CENTURY DRIVE  
EDWARDSVILLE, ILLINOIS 62025  
TEL (618) 656-4040  
FAX (618) 656-4343  
edwardsville@twm-inc.com

**ST. LOUIS OFFICE**  
1001 CRAIG ROAD, SUITE 260  
ST. LOUIS, MISSOURI 63146  
TEL (314) 236-5052  
FAX (314) 872-2194  
stlouis@twm-inc.com

**PROFESSIONAL REGISTRATIONS**  
ILLINOIS PROFESSIONAL DESIGN FIRM 184-001220  
PROFESSIONAL ENGINEERING CORP. 62-035370  
PROFESSIONAL STRUCTURAL ENGR. CORP. 81-005202  
ILLINOIS PROF. LAND SURVEYING CORP. 046-000029  
MISSOURI PROFESSIONAL ENGR. CORP. NC 001528  
MISSOURI LAND SURVEYING CORP. NC 000346

Signature: \_\_\_\_\_  
Signature Date: \_\_\_\_\_  
Expiration Date: \_\_\_\_\_

**STATEMENT OF RESPONSIBILITY**  
I hereby confirm that the document herein to be authenticated by my seal is restricted to this sheet, and I hereby disclaim any responsibility for all other drawings, specifications, estimates, reports or other documents or instruments relating to or intended to be utilized for any other part of the architectural, engineering or survey project.

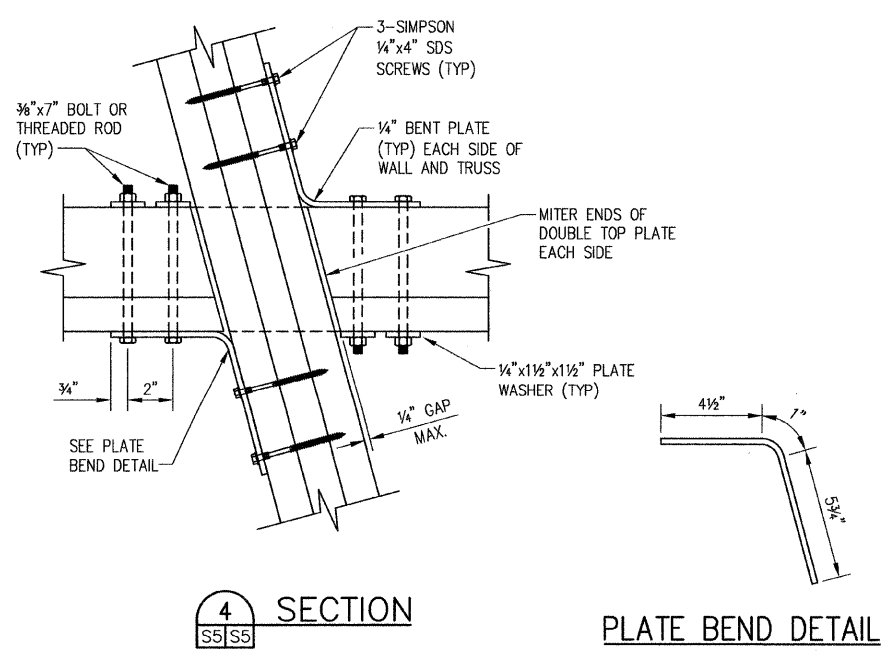
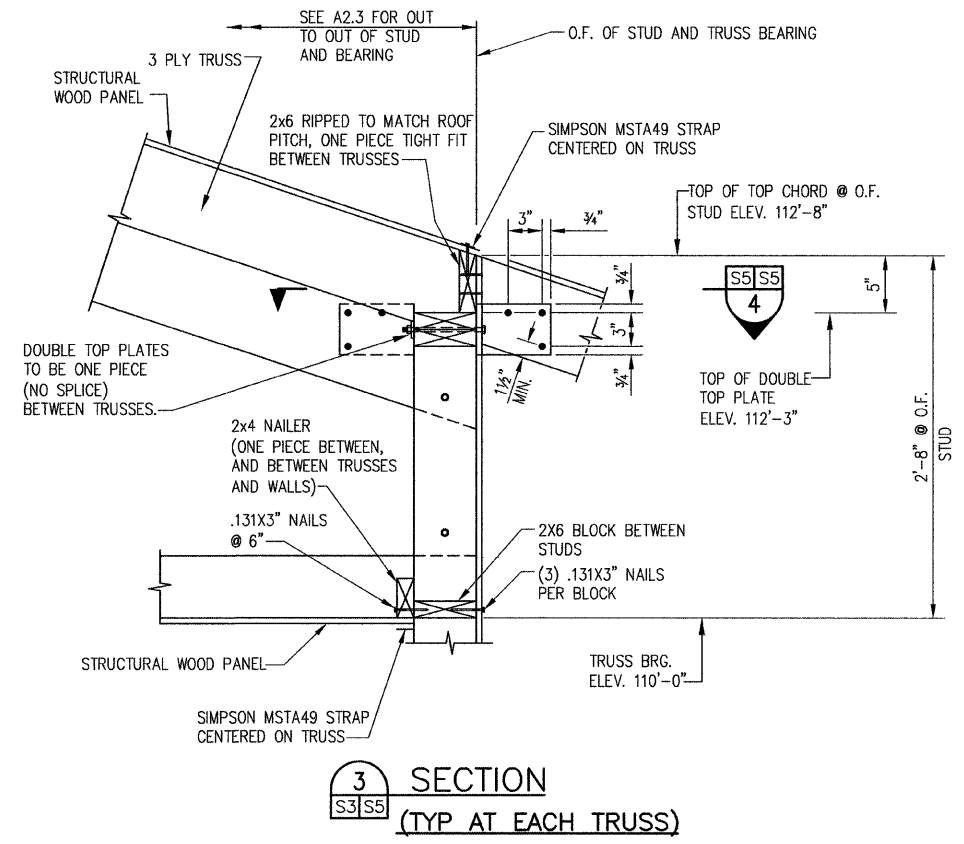
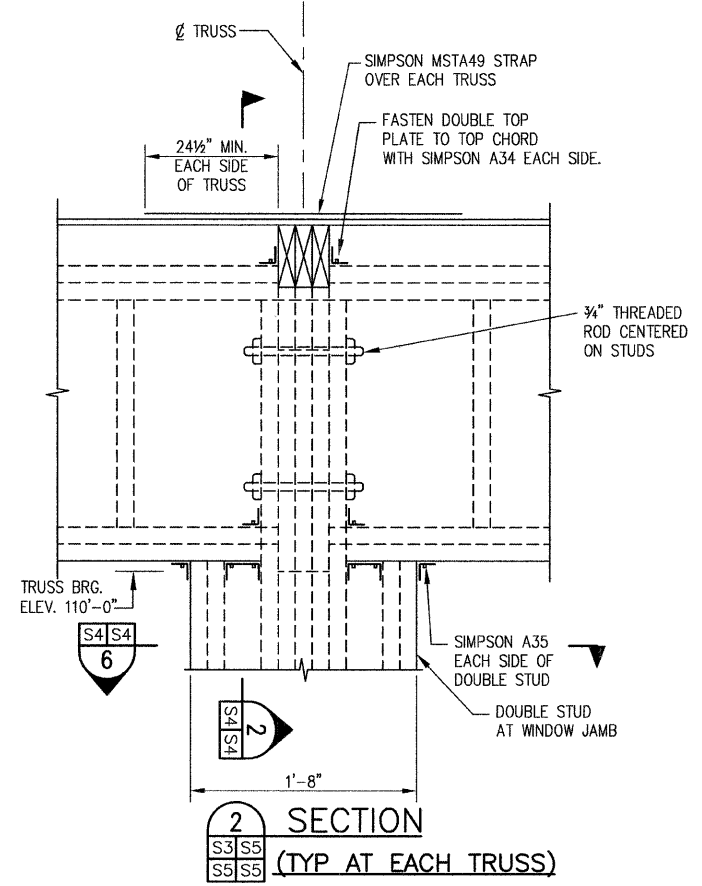
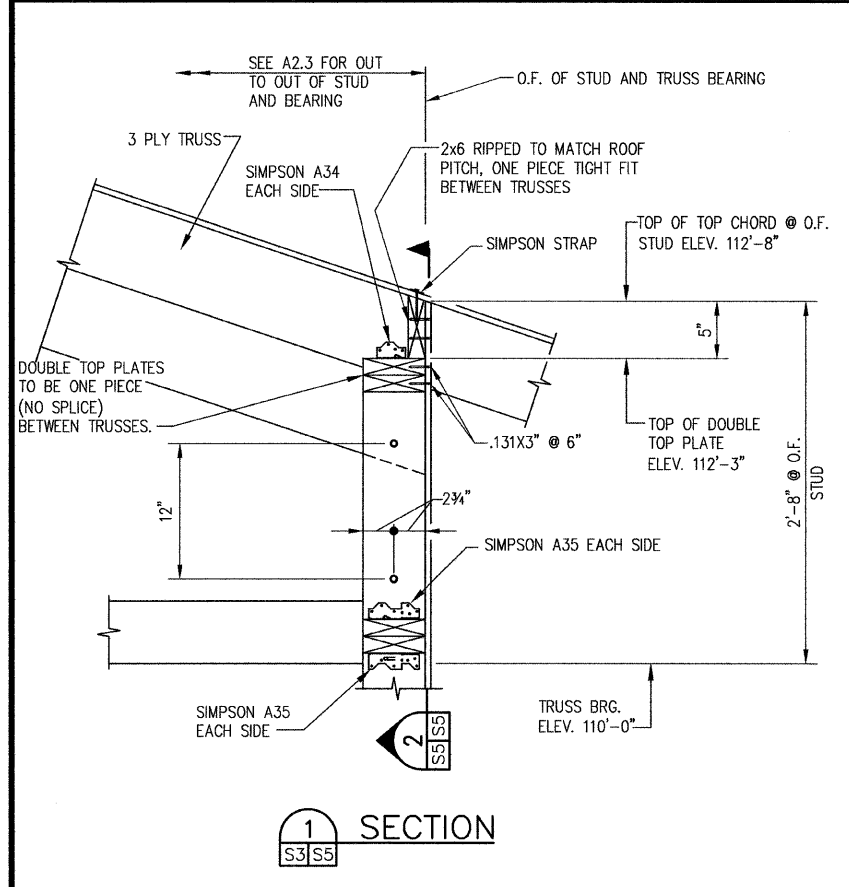
**FRAMING DETAILS**  
PROJECT: **CHESTER WELCOME CENTER**

REV.	DATE	DESCRIPTION
1	12/16/08	REVISIONS PER IDOT COMMENTS

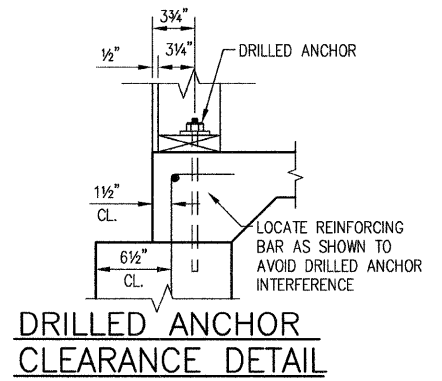
DRAWN BY: DJH  
DESIGNED BY: DJH  
CHECKED BY: KPC  
APPROVED BY: KPC  
PROJECT NUMBER: T33050421

SHEET **S5** OF 9 SHEETS  
PROJECT DESCRIPTION

ISSUED FOR REVIEW     ISSUED FOR BIDDING  
 ISSUED FOR CONSTR.     RECORD DRAWING



**PLATE BEND DETAIL**  
NOTE: DIMENSIONS ARE ALONG INSIDE FACE



H:\AutoCAD\bordera\TWM\2006\2234.dwg 12/7/2006 9:35:09 AM CST