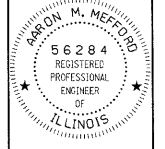




PROFESSIONAL DESIGN FIRM  
LAND SURVEY &  
PROFESSIONAL ENGINEERING CORPORATION  
184-000887  
(62-032435)(35-002769)



AARON M. MEFFORD  
NAME  
SIGNATURE  
DATE 11-14-08  
11-30-09  
EXPIRES

COUNTY HIGHWAY 13  
CULVERTS  
WHITE COUNTY, ILLINOIS

SHEET TITLE:

SEC. 08-00107-00-BR  
CAST-IN-PLACE  
END SECTION

SCALE: N.T.S.

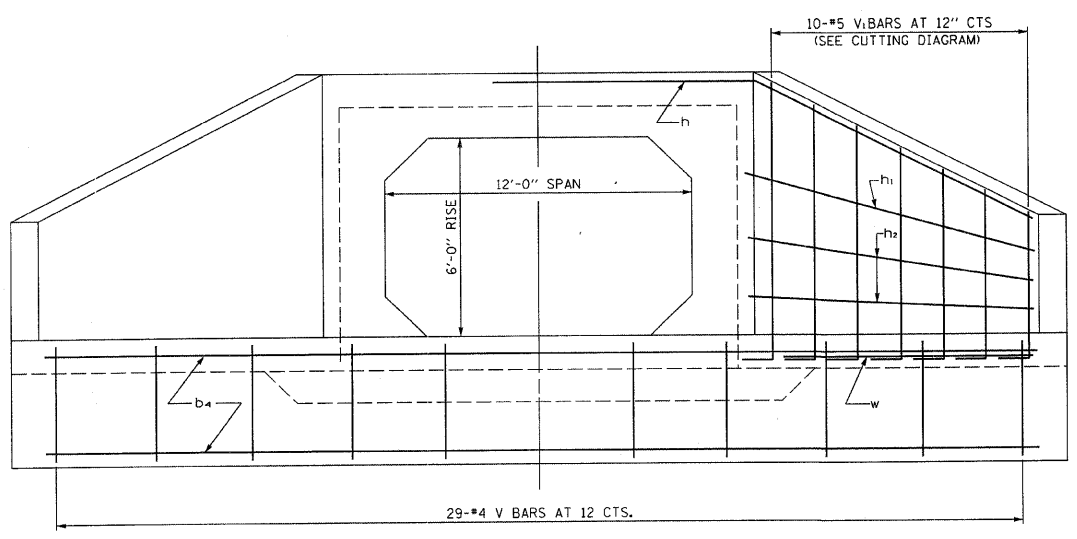
BY: A.M.M.

DATE: 11/6/08

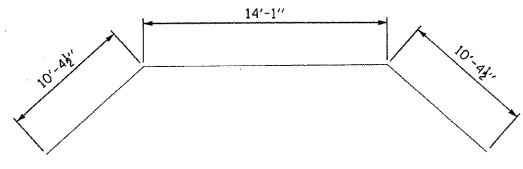
REV:

4 OF 7 SHEETS

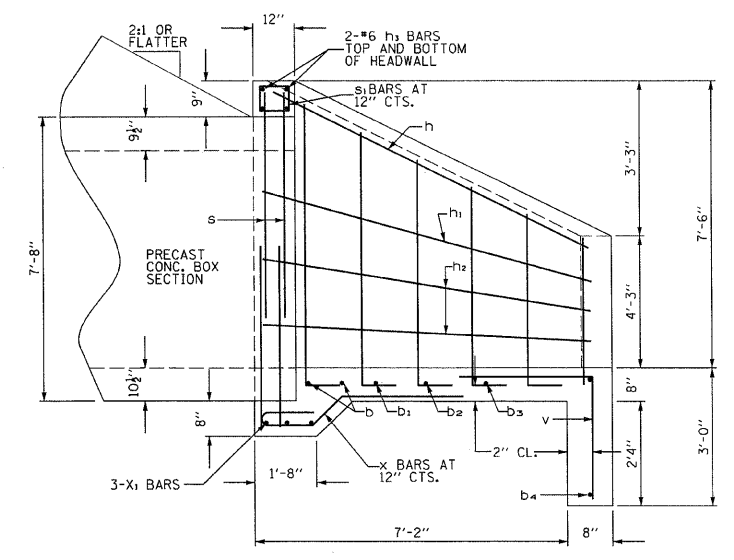
SHEET NO. 4



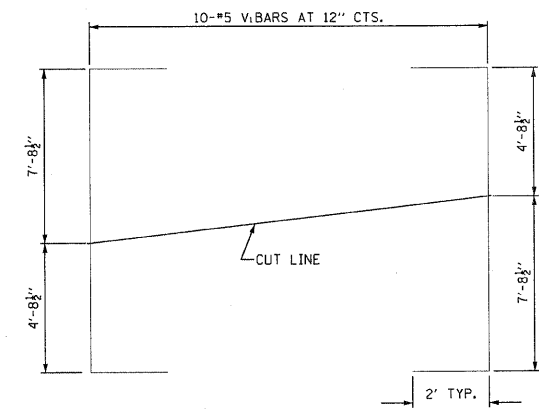
END ELEVATION



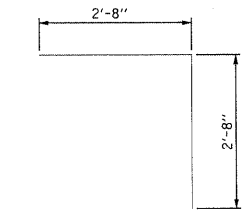
BAR h



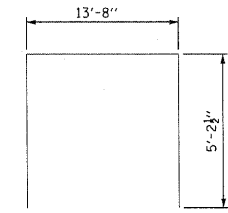
HALF SIDE ELEVATION



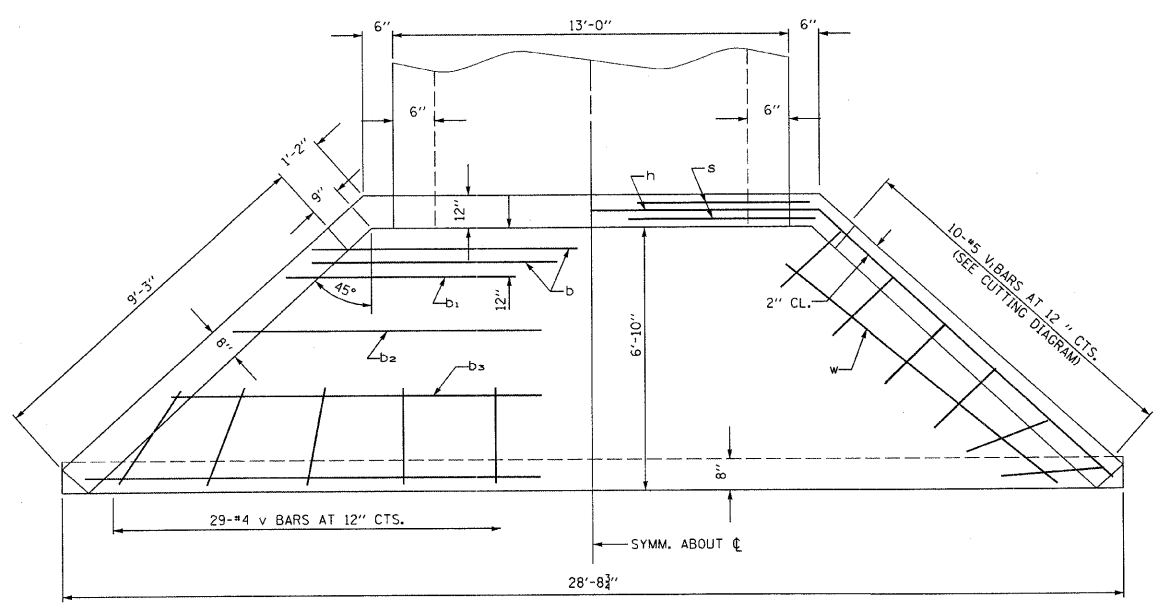
FIELD CUTTING DIAGRAM BARS v1



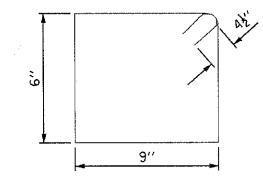
BAR v



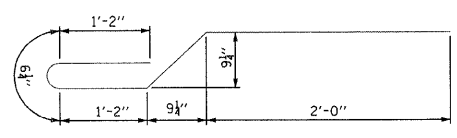
BAR s (MIN. 20" BAR LAP)



PLAN



BAR s1



BAR x

NOTES:  
EXPOSED EDGES SHALL BE BEVELED 3/4"  
REINFORCEMENT BARS SHALL CONFORM TO THE REQUIREMENTS OF AASHTO M-31, M-42 OR M-53, GRADE 60.  
OMIT BELL OR SPIGOT ON END PRECAST BOX CULVERT SECTION.

BILL OF MATERIAL

Bar	No.	Size	Length	Shape
b	2	#5	16'-2"	—
b1	1	#4	17'-6"	—
b2	1	#4	20'-10"	—
b3	1	#4	24'-10"	—
b4	2	#4	28'-4"	—
h	1	#5	34'-10"	—
h1	2	#4	9'-8"	—
h2	4	#4	9'-5"	—
h3	4	#6	13'-5"	—
s	4	#4	24'-1"	□
s1	14	#4	3'-3"	□
v	29	#4	5'-4"	—
v1	10	#5	16'-4"	—
w	2	#4	8'-7"	—
x	14	#4	6'-0"	—
x1	3	#4	13'-5"	—
Concrete Box Culverts		Cu. Yd.	10.2	
Reinforcement Bars		Pound	740	

TABLE FOR ONE (1) HEADWALL ONLY  
BAR DIMENSIONS ARE OUT TO OUT