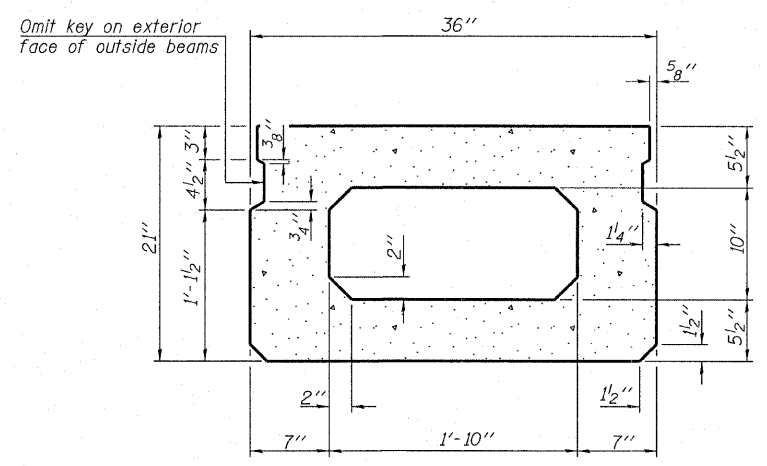
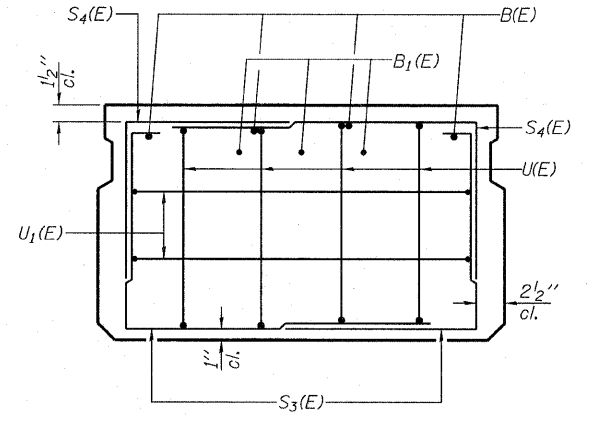


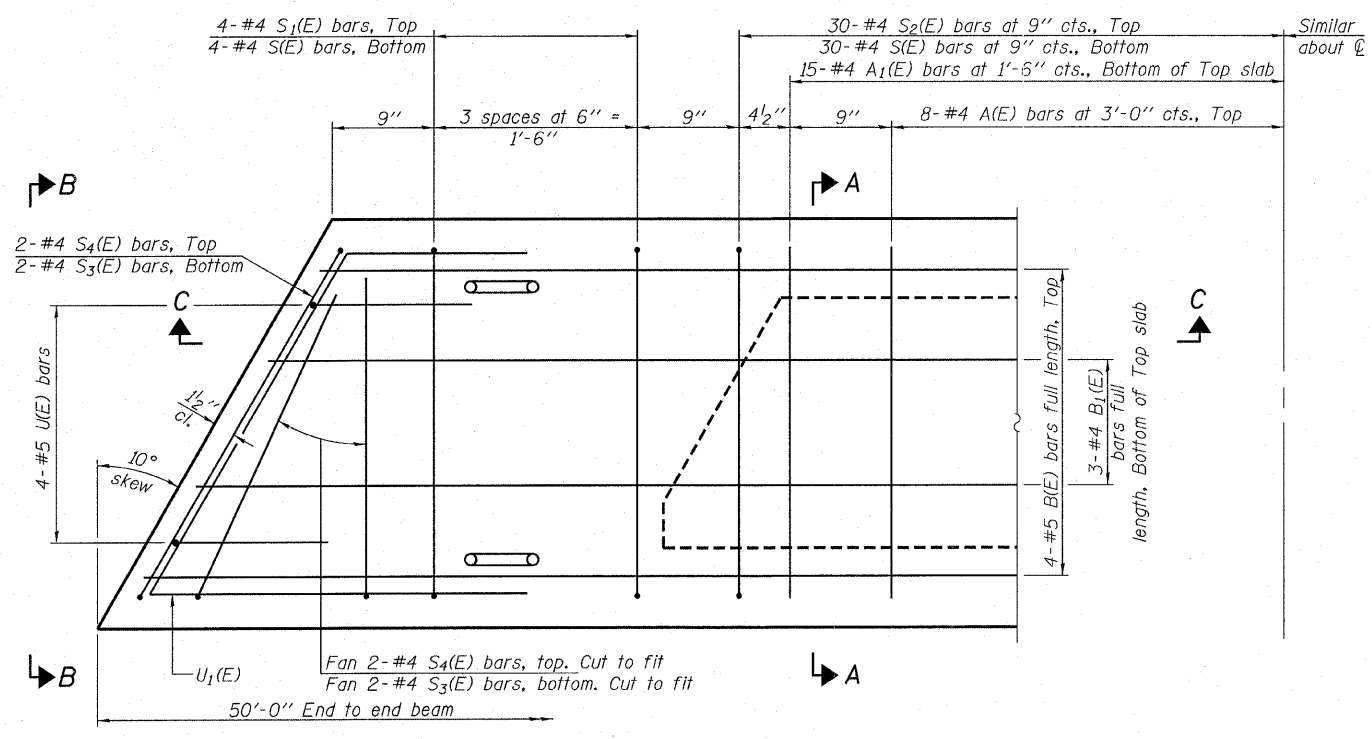
SECTION C-C



SECTION A-A  
(Showing dimensions)

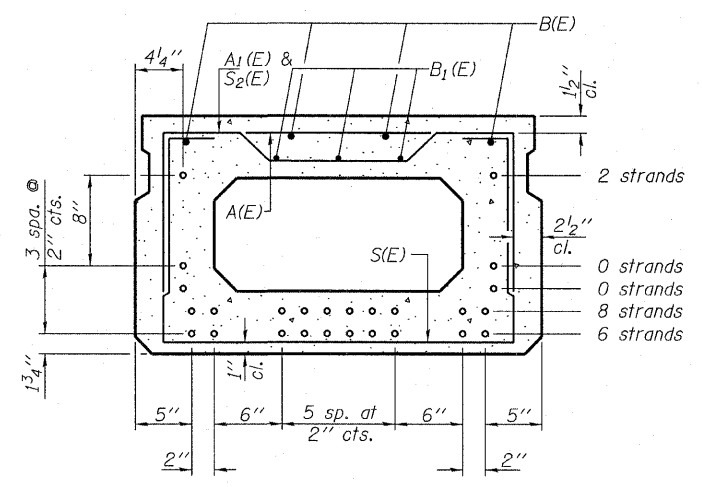


VIEW B-B



PLAN VIEW

Note: Spacing of S(E) and S2(E) bars may be adjusted up to 4" in the immediate area of the transverse tie diaphragms to miss the block outs for the transverse ties.



SECTION A-A

(Showing reinforcement and permissible strand locations)

Note: Place the number of strands specified in each row symmetrically about the centerline of beam in the permissible strand locations shown.

BAR LIST  
ONE BEAM ONLY  
(For information only)

Bar	No.	Size	Length	Shape
A(E)	16	#4	2'-7"	—
A1(E)	30	#4	2'-11"	~
B(E)	4	#5	49'-8"	—
B1(E)	3	#4	49'-8"	—
S(E)	68	#4	6'-5"	⌋
S1(E)	8	#4	4'-11"	⌋
S2(E)	60	#4	5'-2"	⌋
S3(E)	4	#4	4'-2"	⌋
S4(E)	4	#4	3'-5"	⌋
U(E)	8	#5	4'-0"	⌋
U1(E)	4	#4	5'-6"	⌋

Note: See sheets 11 & 12 for additional details and Bill of Material.

DESIGNED - S.M.S.
CHECKED - S.W.M.
DRAWN - D.A.B.
CHECKED - D.T.M.

PD-2136-L 5-16-08

**HAMPTON, LENZINI & RENWICK, INC.**  
 CIVIL & STRUCTURAL ENGINEERS  
 LAND SURVEYORS  
 3085 STEVENSON DRIVE, SUITE 201  
 SPRINGFIELD, ILLINOIS 62703  
 (217) 546-3400  
 PROJECT NUMBER: 08 0190.130 DATE: 10/14/08

SHEET NO. 98	T.R.	SECTION	COUNTY	TOTAL SHEETS	SHEET NO.
		06-04109-00-BR	GALLATIN	17	10
SHEETS	EQUALITY ROAD DISTRICT		CONTRACT NO. 99353		
	ILLINOIS FED. AID PROJECT				

SUPERSTRUCTURE  
 21" X 36" PPC DECK BEAM  
 STRUCTURE NO. 030-3126