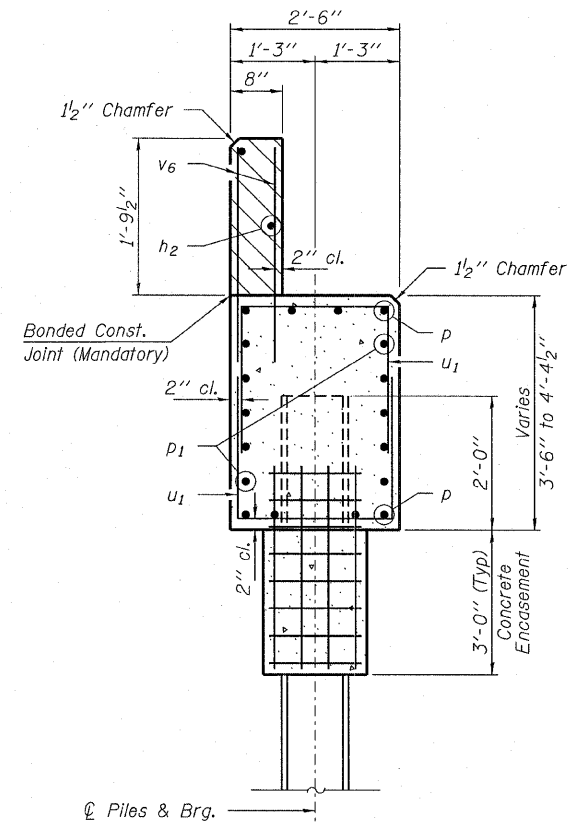
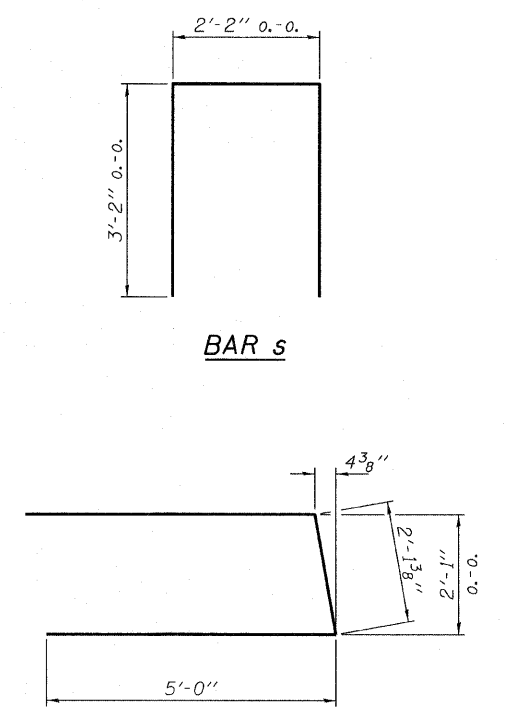


PLAN



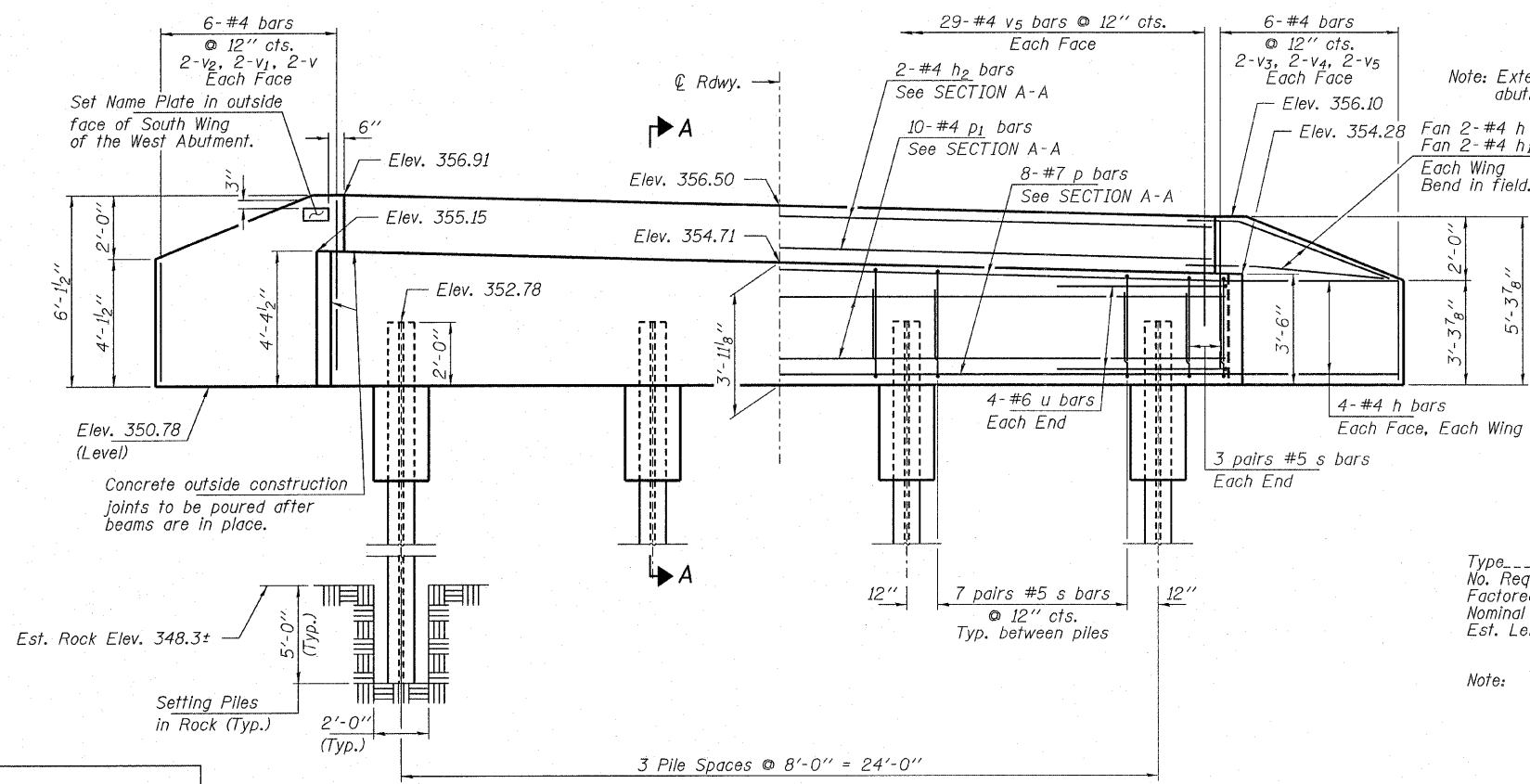
SECTION A-A

Hatched area to be poured after beams are in place.



BAR s

BAR u



ELEVATION

(Looking West)

Note: Extend h bars into abutment cap.

Fan 2-#4 h bars (B.F.)
Fan 2-#4 h1 bars (F.F.)

Each Wing Bend in field.

PILE DATA

Type ----- Steel HPI0x42
 No. Req'd. (W. Abut.) ----- 4
 Factored Resistance Available ----- 167 Kips/Pile
 Nominal Req'd Bearing ----- 335 Kips/Pile
 Est. Length ----- 10 Ft./Pile - W. Abut.

Note: The Steel H-Piles shall be according to AASHTO M270 Grade 50.

BILL OF MATERIAL - W. ABUT.

BAR	NO.	SIZE	LENGTH	SHAPE
h	20	#4	6'-3"	—
h1	4	#4	4'-9"	—
h2	2	#4	28'-8"	—
p	8	#7	28'-8"	—
p1	10	#4	28'-8"	—
s	54	#5	8'-6"	U
u	8	#6	12'-2"	T
v	4	#4	5'-10"	—
v1	4	#4	4'-11"	—
v2	4	#4	3'-11"	—
v3	4	#4	5'-0"	—
v4	4	#4	4'-1"	—
v5	66	#4	3'-1"	—
Concrete Structures			Cu. Yd.	13.3
Concrete Encasement			Cu. Yd.	1.4
Reinforcement Bars			Pound	1,620
Steel Piles HPI0x42			Foot	40
Setting Piles in Rock			Each	4
Name Plates			Each	1

DESIGNED - S.M.S.
CHECKED - S.W.M.
DRAWN - D.A.B.
CHECKED - D.T.M.

**WEST ABUTMENT
STRUCTURE NO. 030-3126**

HAMPTON, LENZINI & RENWICK, INC. CIVIL & STRUCTURAL ENGINEERS LAND SURVEYORS HLR 3085 STEVENSON DRIVE, SUITE 201 SPRINGFIELD, ILLINOIS 62703 (217) 546-3400	SHEET NO.	T.R.	SECTION	COUNTY	TOTAL SHEETS	SHEET NO.
	SHEETS	98	06-04109-00-BR	GALLATIN	17	14
PROJECT NUMBER: 06 0190.130	DATE: 10/14/08	EQUALITY ROAD DISTRICT		CONTRACT NO. 99353		
ILLINOIS FED. AID PROJECT						