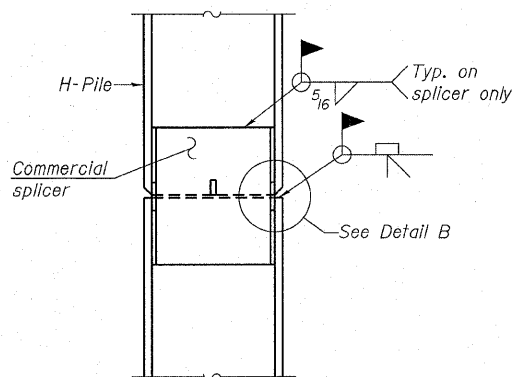
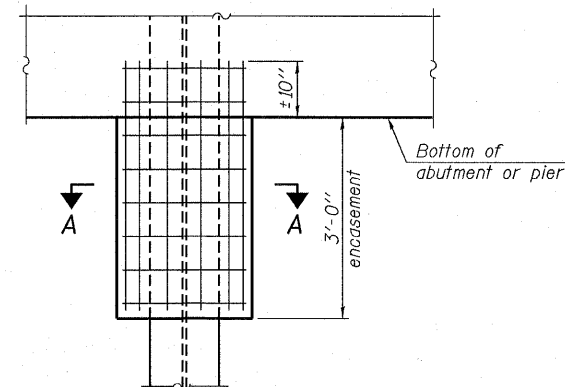


STEEL PILE TABLE

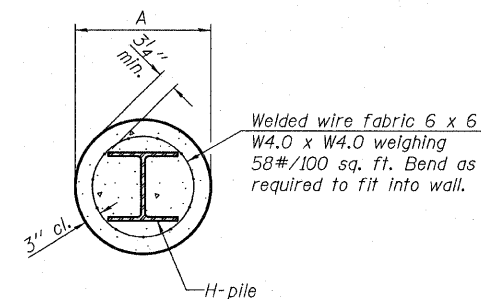
Designation	Depth d	Flange width bf	Web and Flange thickness t	Encasement diameter A
HP 14x117	14 ¹ / ₄ "	14 ⁷ / ₈ "	1 ³ / ₁₆ "	30"
x102	14"	14 ³ / ₄ "	1 ¹ / ₁₆ "	30"
x89	13 ⁷ / ₈ "	14 ³ / ₄ "	5 ⁵ / ₈ "	30"
x73	13 ⁵ / ₈ "	14 ⁵ / ₈ "	1 ¹ / ₂ "	30"
HP 12x84	12 ¹ / ₄ "	12 ¹ / ₄ "	1 ¹ / ₁₆ "	24"
x74	12 ¹ / ₈ "	12 ¹ / ₄ "	5 ⁵ / ₈ "	24"
x63	12"	12 ¹ / ₈ "	1 ¹ / ₂ "	24"
x53	11 ³ / ₄ "	12"	7 ¹ / ₁₆ "	24"
HP 10x57	10"	10 ¹ / ₄ "	9 ⁹ / ₁₆ "	24"
x42	9 ³ / ₄ "	10 ¹ / ₈ "	7 ¹ / ₁₆ "	24"
HP 8x36	8"	8 ¹ / ₈ "	7 ¹ / ₁₆ "	18"



ELEVATION



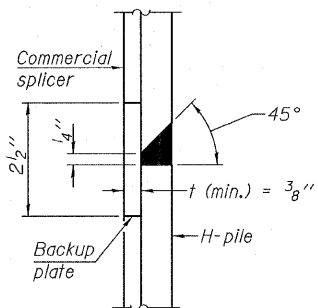
ELEVATION



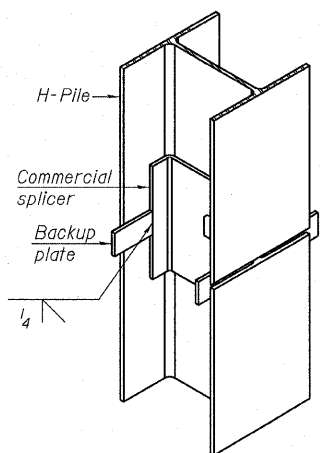
SECTION A-A

Note: Forms for encasement may be omitted when soil conditions permit.

PILE ENCASEMENT

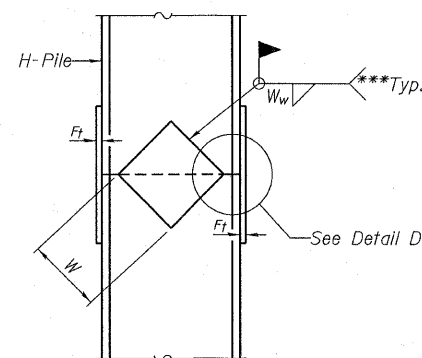


DETAIL "B"

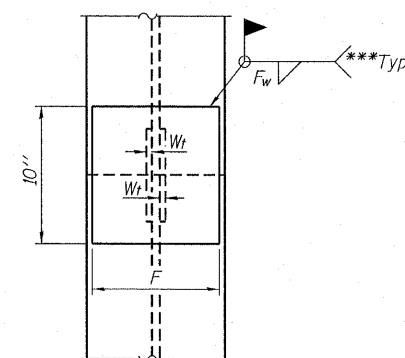


ISOMETRIC VIEW

WELDED COMMERCIAL SPLICE

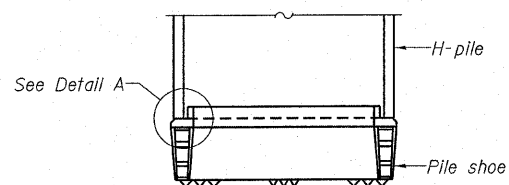


ELEVATION

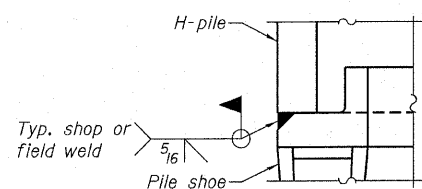


END VIEW

Designation	F	F _t	F _w	W	W _t	W _w
HP 14x117	12 ¹ / ₂ "	1"	7 ⁸ / ₈ "	7 ³ / ₄ "	5 ⁸ / ₈ "	1 ² / ₂ "
x102	12 ¹ / ₂ "	7 ⁸ / ₈ "	3 ⁴ / ₄ "	7 ³ / ₄ "	5 ⁸ / ₈ "	1 ² / ₂ "
x89	12 ¹ / ₂ "	3 ⁴ / ₄ "	1 ¹ / ₁₆ "	7 ³ / ₄ "	5 ⁸ / ₈ "	1 ² / ₂ "
x73	12 ¹ / ₂ "	5 ⁸ / ₈ "	9 ¹⁶ / ₁₆ "	7 ³ / ₄ "	5 ⁸ / ₈ "	1 ² / ₂ "
HP 12x84	10"	7 ⁸ / ₈ "	1 ¹ / ₁₆ "	6 ¹ / ₂ "	5 ⁸ / ₈ "	1 ² / ₂ "
x74	10"	7 ⁸ / ₈ "	1 ¹ / ₁₆ "	6 ¹ / ₂ "	5 ⁸ / ₈ "	1 ² / ₂ "
x63	10"	5 ⁸ / ₈ "	1 ² / ₂ "	6 ¹ / ₂ "	1 ² / ₂ "	3 ⁸ / ₈ "
x53	10"	5 ⁸ / ₈ "	1 ² / ₂ "	6 ¹ / ₂ "	1 ² / ₂ "	3 ⁸ / ₈ "
HP 10x57	8"	3 ⁴ / ₄ "	9 ¹⁶ / ₁₆ "	5 ¹ / ₄ "	1 ² / ₂ "	3 ⁸ / ₈ "
x42	8"	5 ⁸ / ₈ "	9 ¹⁶ / ₁₆ "	5 ¹ / ₄ "	1 ² / ₂ "	3 ⁸ / ₈ "
HP 8x36	7"	5 ⁸ / ₈ "	7 ¹⁶ / ₁₆ "	4 ¹ / ₄ "	1 ² / ₂ "	3 ⁸ / ₈ "

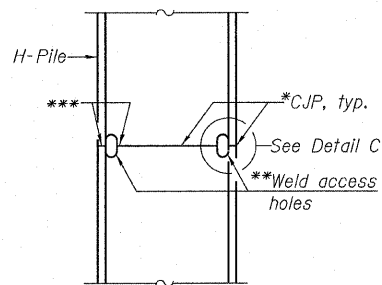


ELEVATION

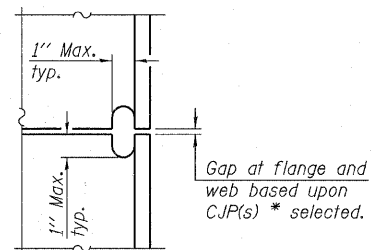


DETAIL A

H-PILE SHOE ATTACHMENT

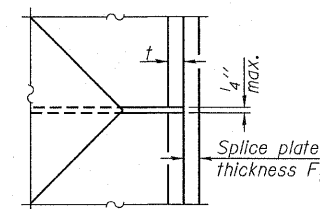


ELEVATION



DETAIL C

COMPLETE PENETRATION WELD SPLICE



DETAIL D

Note: The steel H-piles shall be according to AASHTO M270 Grade 50.

*Use joint conforming to Figure 3.4 in AWS D1.1, Structure Welding Code-Steel.

**Preparation per Fig. 5.2 in AWS D1.1, Structure Welding Code-Steel.

***Interrupt welds 1/4" from end of each pile.

DESIGNED - S.M.S.
CHECKED - S.W.M.
DRAWN - D.A.B.
CHECKED - D.T.M.

F-HP

15-16-08

**STEEL H PILE DETAILS
STRUCTURE NO. 030-3126**

 HAMPTON, LENZINI & RENWICK, INC. CIVIL & STRUCTURAL ENGINEERS LAND SURVEYORS 3085 STEVENSON DRIVE, SUITE 201 SPRINGFIELD, ILLINOIS 62703 (217) 546-3400	SHEET NO.	T.R.	SECTION	COUNTY	TOTAL SHEETS	SHEET NO.
	98	98	06-04109-00-BR	GALLATIN	17	16
EQUALITY ROAD DISTRICT				CONTRACT NO. 99353		
ILLINOIS FED. AID PROJECT						

PROJECT NUMBER: 06 0190.130 DATE: 10/14/08