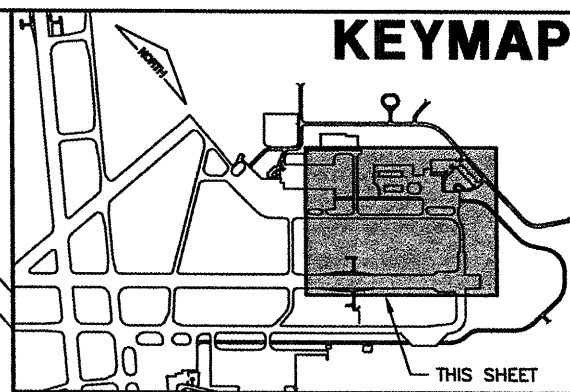
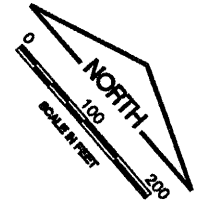


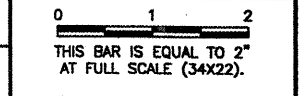
PHASE 4



K:\Springfield\0703509\Draw\Sheets\Phase 2 Full
 FILE: CONACT04.dwg
 UPDATE BY: Kristy Brod
 PLOT DATE: 1/23/2009 1:39 PM
 KEY
 BASE_PROGEO
 BASE_EXISTGEO

CA007

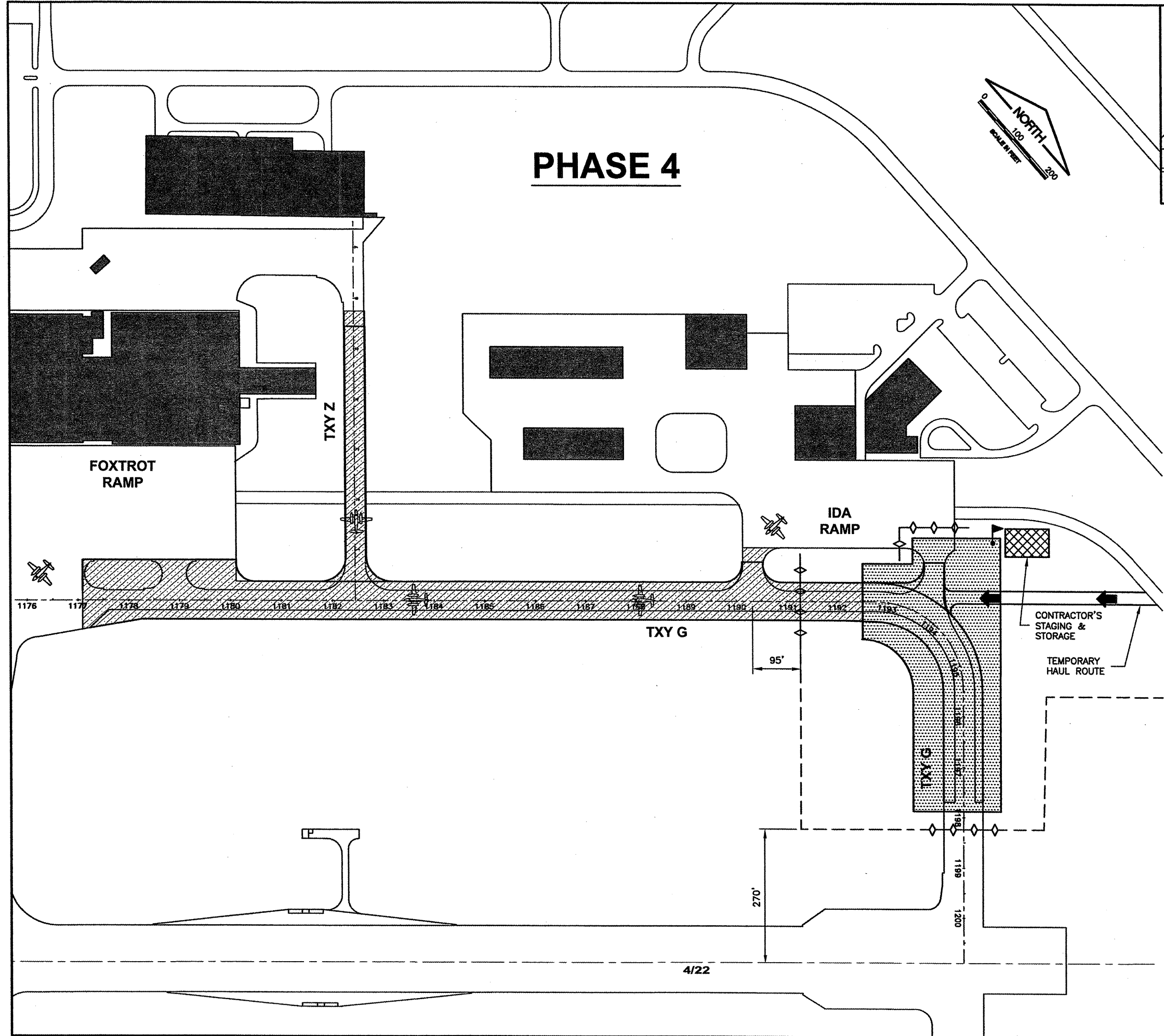
REVISIONS		
NUMBER	BY	DATE




- ### LEGEND
- WORK LIMITS
 - CONTRACTOR'S STAGING AND STORAGE
 - COMPLETED CONSTRUCTION
 - CONSTRUCTION SET BACK LINE
 - BARRICADES IDOT TYPE 1 WITH RED LIGHTS AND 20"x 20" ORANGE FLAGS AT 20' SPACING
 - CONTRACTOR ACCESS
 - FLAGMAN - IN CONTACT WITH AIR TRAFFIC CONTROL TOWER (ATCT)
 - AIR TRAFFIC ACCESS
 - CONTRACTOR AND AIRCRAFT ACCESS

- ### CONSTRUCTION ACTIVITY PLAN PHASING NOTES - PHASE 4
1. THE CONTRACTOR SHALL PLACE ALL BARRICADES AS SHOWN PRIOR TO STARTING WORK ON THIS PHASE.
 2. THE AIRPORT WILL REQUIRE 3 CALENDAR DAYS NOTICE FROM THE CONTRACTOR PRIOR TO INITIATING THIS PHASE TO COORDINATE WITH THE TENANTS.
 3. THE NORTH AND SOUTH IDA RAMP TAXIWAYS MAY NOT BE CLOSED AT THE SAME TIME.

- ### CLOSED PAVEMENT AREAS
- TAXIWAY G FROM STA. 1191+25 TO CONNECTING TAXIWAY G
 - CONNECTING TAXIWAY G
 - NORTH IDA RAMP TAXIWAY




 SPRINGFIELD AIRPORT AUTHORITY
 ABRAHAM LINCOLN CAPITAL AIRPORT
 SPRINGFIELD, ILLINOIS
 WIDEN TAXIWAY G - PHASE 2
 CONSTRUCTION ACTIVITY PLAN 4

© Copyright CMT, Inc.

CMT
 CRAWFORD, MURPHY & TILLY, INC.
 CONSULTING ENGINEERS
 License No. 184-000693

DESIGN BY:	CBG
DRAWN BY:	CMT
CHECKED BY:	RLV
APPROVED BY:	RLV
DATE:	01/30/2009
JOB No:	07035-09-00
IL PROJ. NO. SPI-3860	
AIP PROJ. NO. 3-17-0096-XX	
SHEET 07 OF 65 SHEETS	