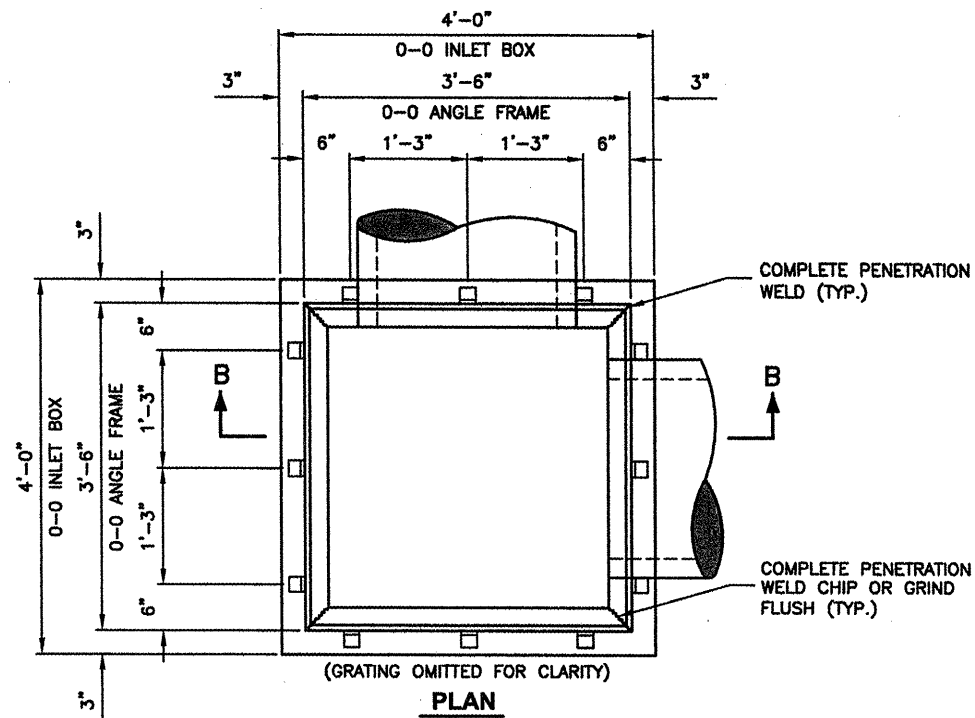
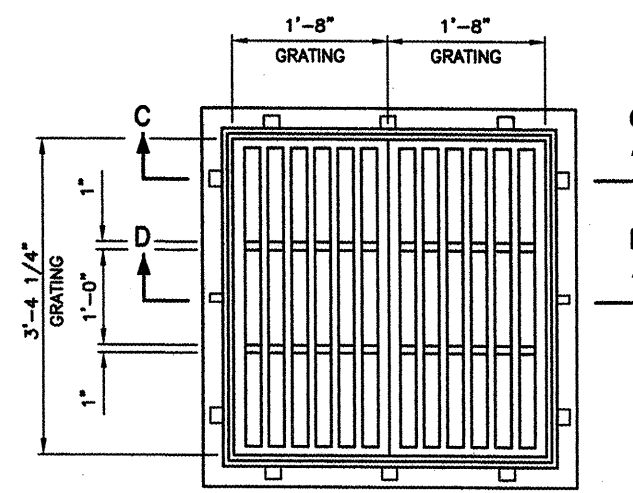


PLAN
N.T.S.



PLAN
N.T.S.



PLAN
N.T.S.

CA007

REVISIONS		
NUMBER	BY	DATE

0 1 2
 THIS BAR IS EQUAL TO 2"
 AT FULL SCALE (34x22).



SPRINGFIELD AIRPORT AUTHORITY
 ABRAHAM LINCOLN CAPITAL AIRPORT
 SPRINGFIELD, ILLINOIS

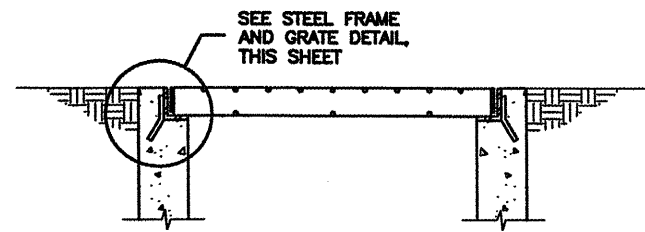
WIDEN TAXIWAY G - PHASE 2

INLET DETAIL

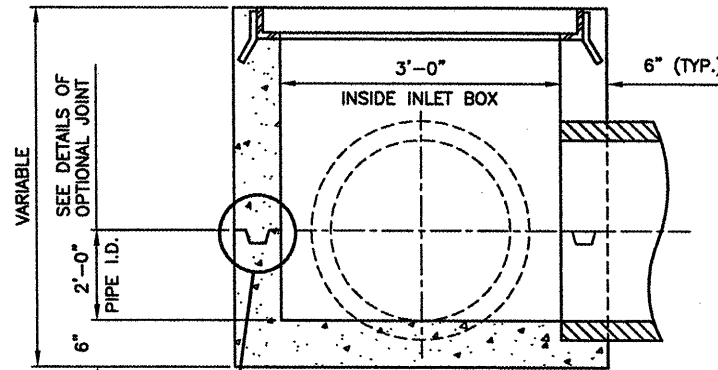
© Copyright CMT, Inc.
CMT
 CRAWFORD, MARRIY & TILLY, INC.
 CONSULTING ENGINEERS
 License No. 184-000813

DESIGN BY: CBG
 DRAWN BY: CMT
 CHECKED BY: *REV*
 APPROVED BY: *REV*
 DATE: 01/30/2009
 JOB No: 07035-09-00

IL PROJ. NO. SPI-3860
 AIP PROJ. NO. 3-17-0096-XX

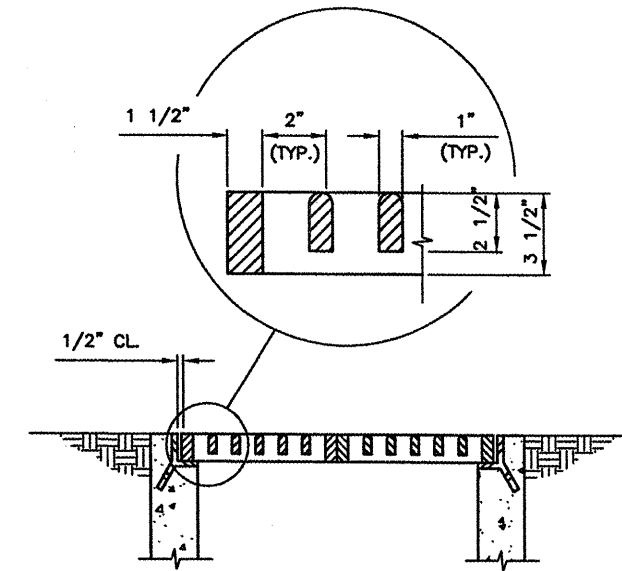


SECTION A-A
N.T.S.

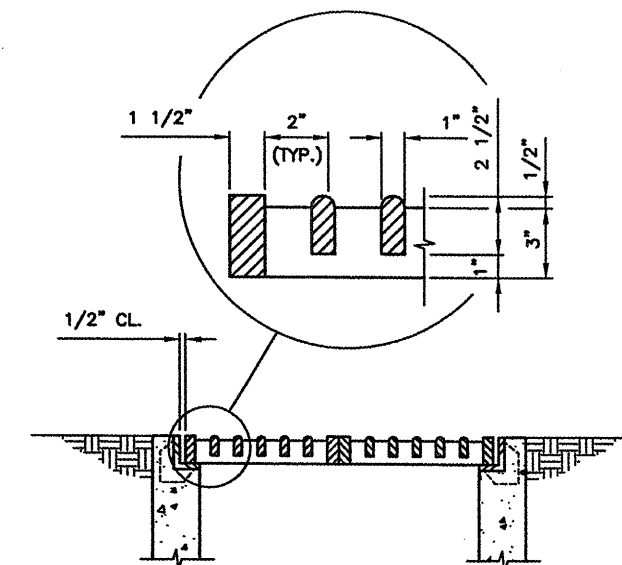


SECTION B-B
N.T.S.

SEE OPTIONAL JOINT
 DETAIL, THIS SHEET

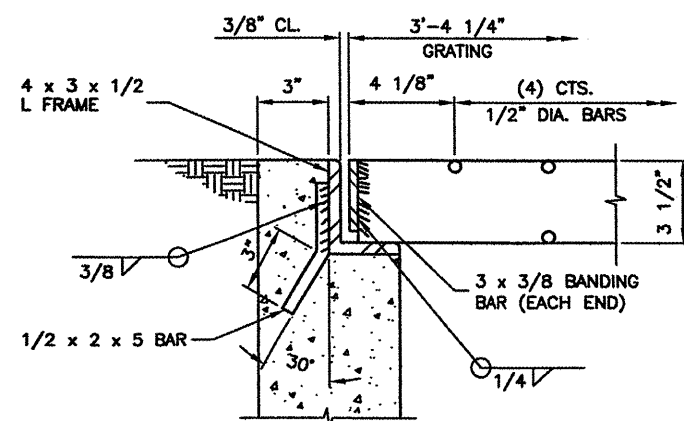


SECTION C-C
N.T.S.



SECTION D-D

CAST FRAME & GRATE DETAILS
N.T.S.



STEEL FRAME & GRATE DETAIL
N.T.S.



OPTIONAL JOINT DETAIL
N.T.S.

INLET NOTE

INLET IS AN IDOT STD. 542546, FLUSH
 INLET BOX FOR MEDIAN. FRAME &
 GRATES ARE NEENAH R-3807 OR
 APPROVED EQUAL.