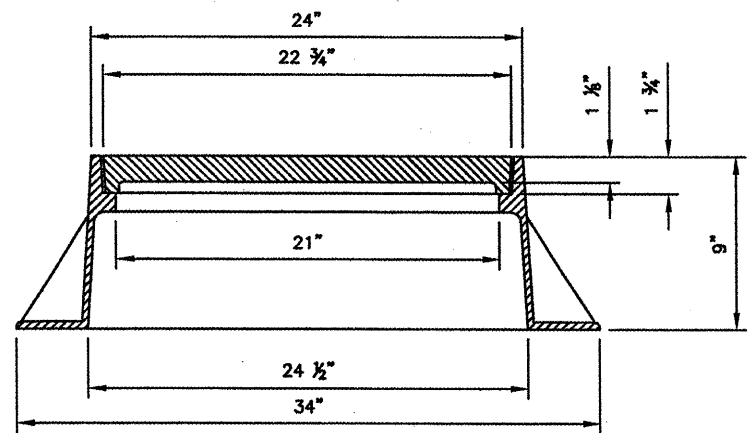
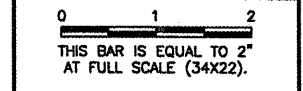


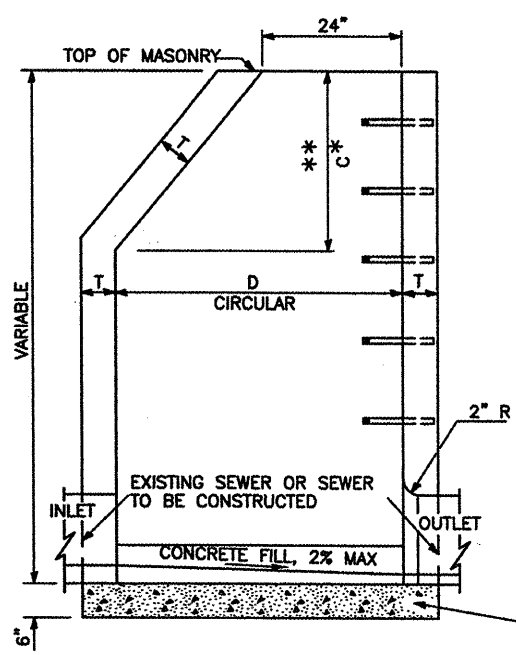
CA007

REVISIONS		
NUMBER	BY	DATE

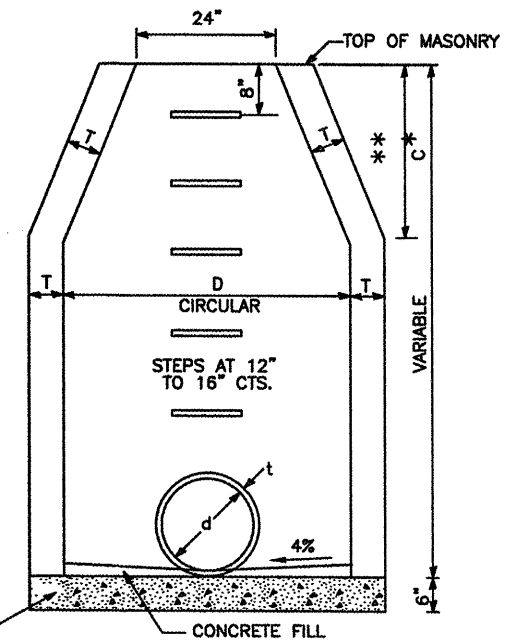


MANHOLE FRAME, OPEN LID
 NEENAH R-2504-D OR EQUIVALENT
 N.T.S.

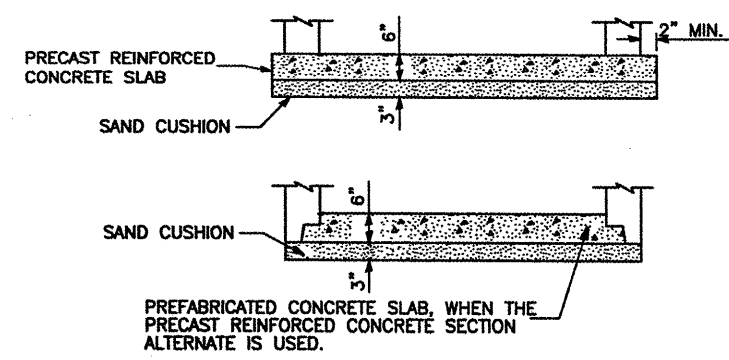
NOTE 1: LID SHALL BE BOLTED TO FRAME.



ELEVATION - ECCENTRIC



ELEVATION - CONCENTRIC



ALTERNATE BOTTOM SLAB

TYPE A MANHOLE DETAIL
 IDOT STANDARD 602401-1
 N.T.S.

ALTERNATE MATERIALS FOR WALLS	D	C	T (MIN.)
CONCRETE MASONRY UNIT	4'-0" 5'-0"	30" 3'-9"	5" 5"
BRICK MASONRY	4'-0" 5'-0"	30" 3'-9"	8" 8"
PRECAST REINFORCED CONCRETE SECTION	4'-0" 5'-0"	30" 3'-9"	4" 5"
CAST-IN-PLACE CONCRETE	4'-0" 5'-0"	30" 3'-9"	6" 6"

GENERAL NOTES

- SEE STANDARD 602701 FOR DETAILS OF STEPS.
- * DIMENSION "C" FOR PRECAST REINFORCED CONCRETE SECTIONS MAY VARY FROM THE DIMENSION GIVEN TO PLUS 6".
- ** SEE STANDARD 602601 FOR OPTIONAL PRECAST REINFORCED CONCRETE FLAT SLAB TOP.



SPRINGFIELD AIRPORT AUTHORITY
 ABRAHAM LINCOLN CAPITAL AIRPORT
 SPRINGFIELD, ILLINOIS

WIDEN TAXIWAY G - PHASE 2

MANHOLE DETAIL

© Copyright CMT, Inc.

CMT
 CRAWFORD, MURPHY & TILLY, INC.
 CONSULTING ENGINEERS
 License No. 184-000613



DESIGN BY:	RLV
DRAWN BY:	CMT
CHECKED BY:	RLV
APPROVED BY:	RLV
DATE:	01/30/2009
JOB No:	07035-09-00
IL PROJ. NO. SPI-3860	
AIP PROJ. NO. 3-17-0096-XX	
SHEET 36 OF 65 SHEETS	