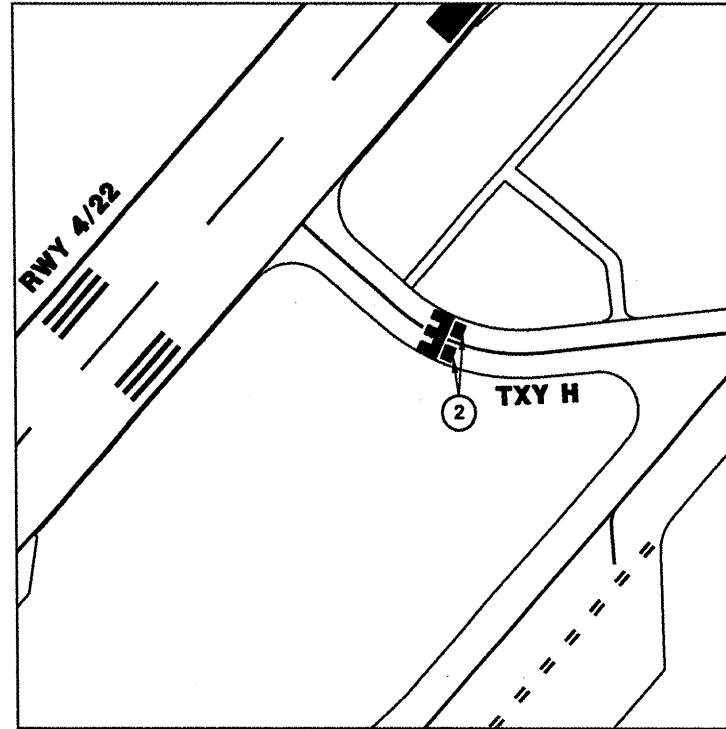


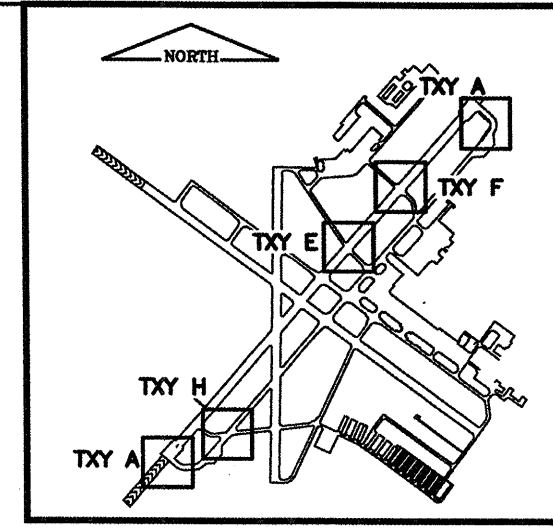
TXY A - RWY 4/22



TXY H - RWY 4/22

- NOTES:**
1. THE SURFACE PAINTED HOLD POSITION MARKINGS SHOWN ARE USED TO EXPRESS THE APPROXIMATE LOCATIONS. SEE MARKING DETAILS 2 AND MARKING SCHEDULE FOR MARKING DIMENSIONS AND LOCATIONS.
 2. ALL SURFACE PAINTED HOLD POSITION MARKINGS PLACED SHALL CONFORM TO THE REGULATIONS SET FORTH IN THE FAA ADVISORY CIRCULAR AC 150/5340-1J CHANGE 2.

- LEGEND**
- # MARKING NUMBER - SEE MARKING DETAILS FOR FURTHER INFORMATION
 - NEW HOLD POSITION MARKING

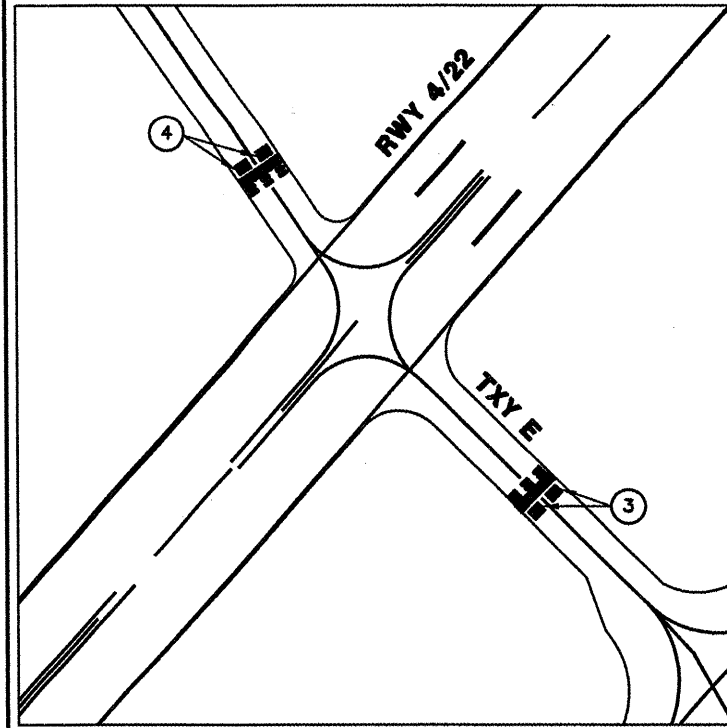


KEYMAP

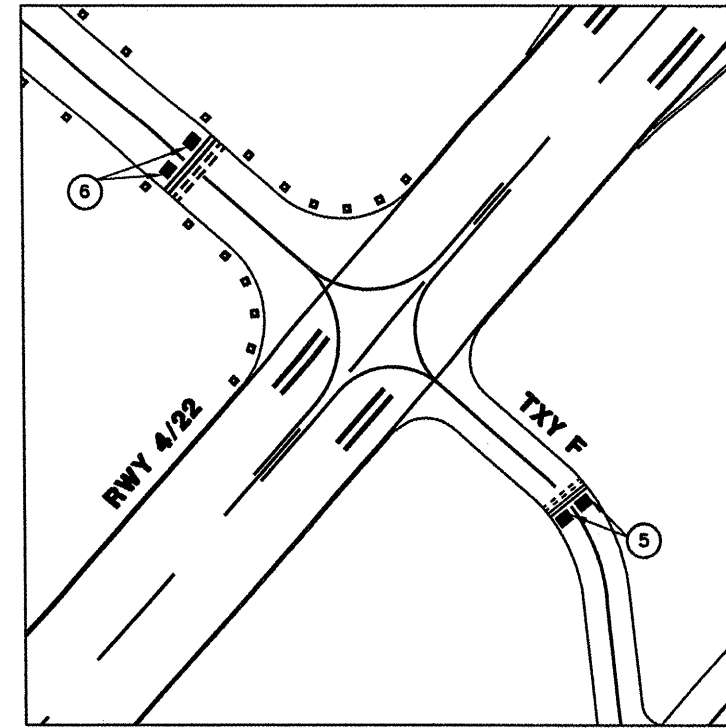
K:\Springfield\0703509\Draw\Sheets\Phase 2 Full
 FILE: MARK03.dwg
 UPDATE BY: Kristy Brod
 PLOT DATE: 1/26/2009 10:16 AM
 BASE_PROPOSED
 SPI-BASE
 BASE_EXISTMARK
 BASE_EXISTSIGNS
 BASE_EXISTSITPO
 BASE_EXISTGEO
 KEYMAP
 SPI-LOGO
CA007

REVISIONS		
NUMBER	BY	DATE

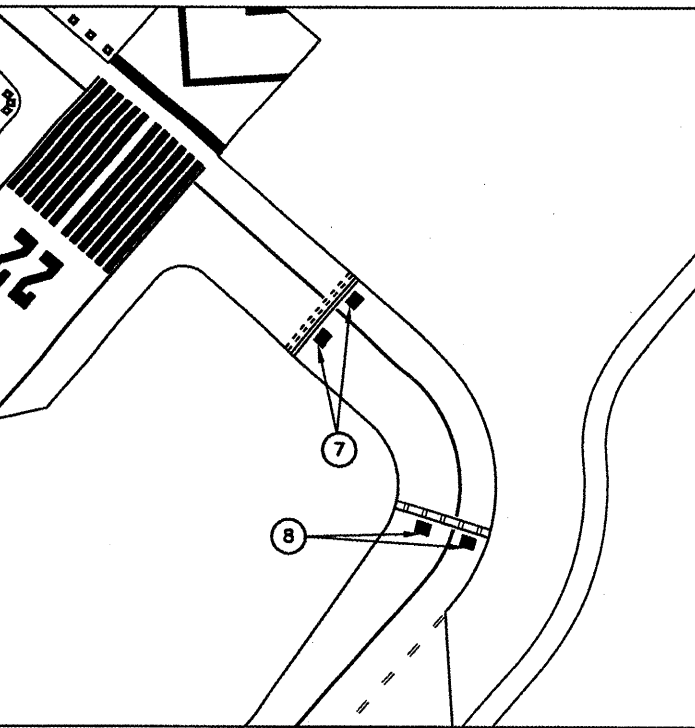
0 1 2
 THIS BAR IS EQUAL TO 2"
 AT FULL SCALE (34X22).



TXY E - RWY 4/22



TXY F - RWY 4/22



CONNECTING TXY A - RWY 4/22



SPRINGFIELD AIRPORT AUTHORITY
 ABRAHAM LINCOLN CAPITAL AIRPORT
 SPRINGFIELD, ILLINOIS

WIDEN TAXIWAY G - PHASE 2
 MARKING PLAN 3

© Copyright CMT, Inc.
CMT
 CRAWFORD, MURPHY & TILLY, INC.
 CONSULTING ENGINEERS
 License No. 784-000618

DESIGN BY:	RLV
DRAWN BY:	TJH
CHECKED BY:	RLV
APPROVED BY:	RLV
DATE:	01/30/2009
JOB No:	07035-09-00
IL PROJ. NO.	SPI-3860
AIP PROJ. NO.	3-17-0096-XX
SHEET	39 OF 65 SHEETS