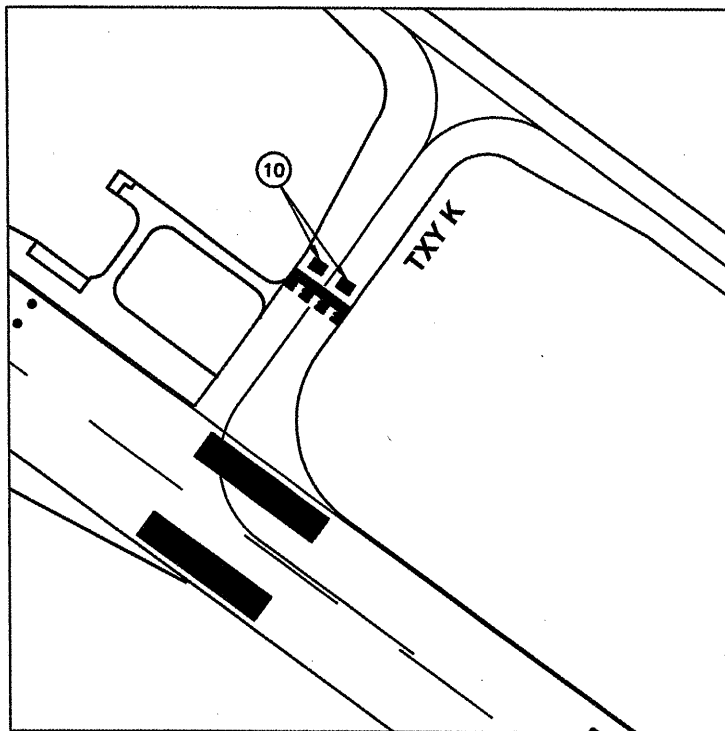
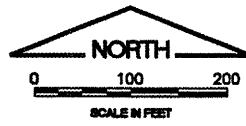
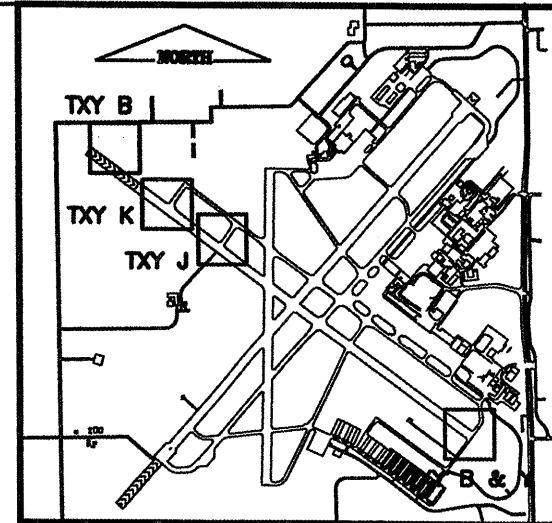


TXY B - RWY 13



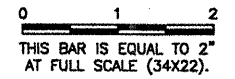
TXY K - RWY 31/13



**KEYMAP**

K:\Springfield\0703509\Draw\Sheets\Phase 2 Full  
 FILE: MARK04.dwg  
 UPDATE BY: Kristy Brod  
 PLOT DATE: 1/26/2009 10:16 AM  
 BASE\_PROPGEO  
 BASE\_EXISTMARK  
 BASE\_PROPELEC  
 BASE\_EXISTSIGNS  
 BASE\_EXISTOPO  
 SPIBASE\_EXISTGEO  
 SPI-LOGO  
 KEYMAP  
**CA007**

REVISIONS		
NUMBER	BY	DATE

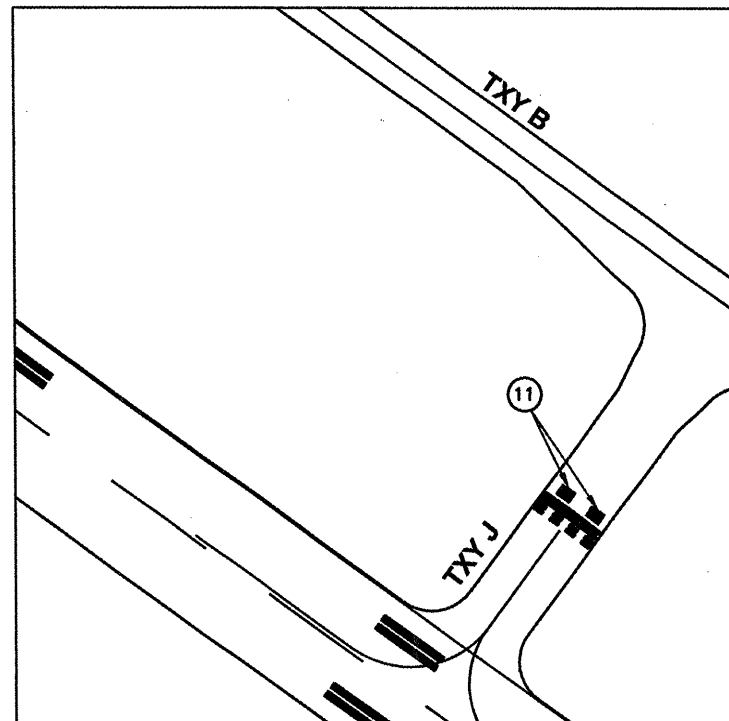


**NOTES:**

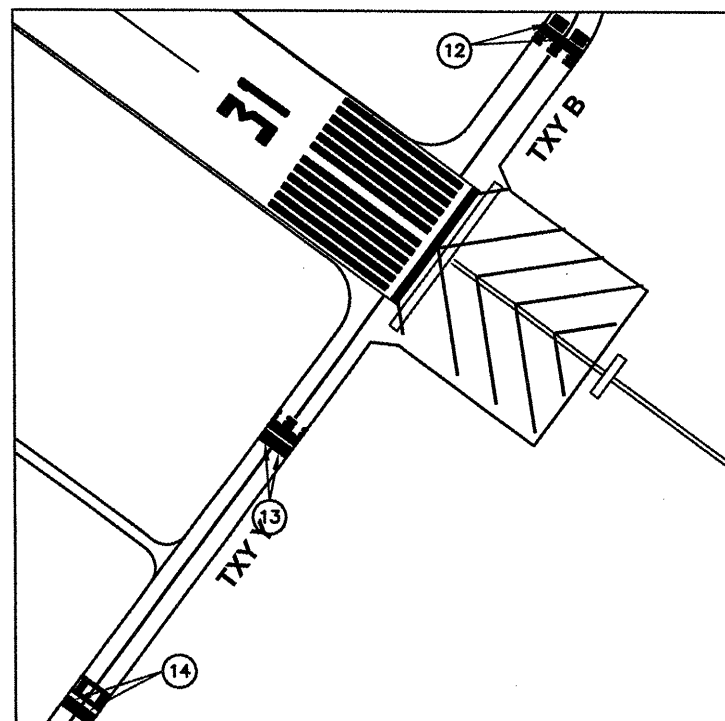
1. THE SURFACE PAINTED HOLD POSITION MARKINGS SHOWN ARE USED TO EXPRESS THE APPROXIMATE LOCATIONS. SEE MARKING DETAILS 2 AND MARKING SCHEDULE FOR MARKING DIMENSIONS AND LOCATIONS.
2. ALL SURFACE PAINTED HOLD POSITION MARKINGS PLACED SHALL CONFORM TO THE REGULATIONS SET FORTH IN THE FAA ADVISORY CIRCULAR AC 150/5340-1J CHANGE 2.

**LEGEND**

- MARKING NUMBER - SEE MARKING DETAILS FOR FURTHER INFORMATION
- NEW HOLD POSITION MARKING



TXY J - RWY 31/13



CONNECTING TXY B & Y - RWY 31



**SPRINGFIELD AIRPORT AUTHORITY  
 ABRAHAM LINCOLN CAPITAL AIRPORT  
 SPRINGFIELD, ILLINOIS**

**WIDEN TAXIWAY G - PHASE 2  
 MARKING PLAN 4**

© Copyright GMT, Inc.  
**GMT**  
 CRAWFORD, MURPHY & TILLY, INC.  
 CONSULTING ENGINEERS  
 License No. 84-000678



DESIGN BY:	RLV
DRAWN BY:	TJH
CHECKED BY:	REN
APPROVED BY:	REN
DATE:	01/30/2009
JOB No:	07035-09-00
IL PROJ. NO. SPI-3860	
AIP PROJ. NO. 3-17-0096-XX	
SHEET 40 OF 65 SHEETS	