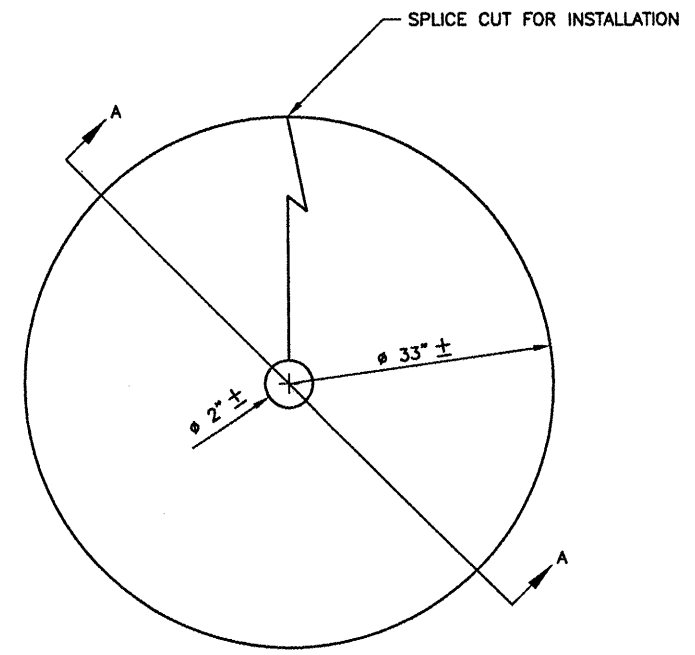
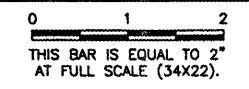
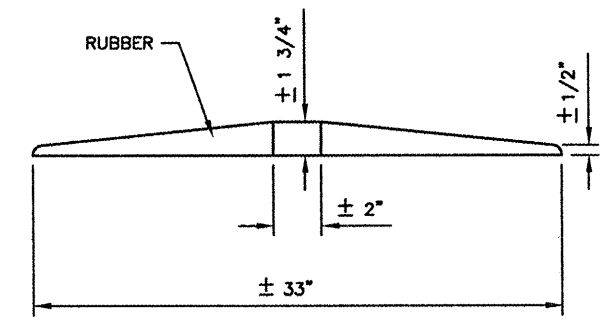


CA008

REVISIONS		
NUMBER	BY	DATE

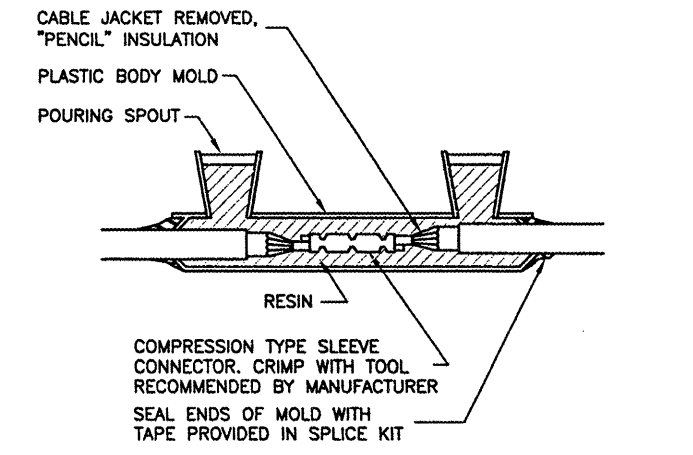


PLAN VIEW
N.T.S.



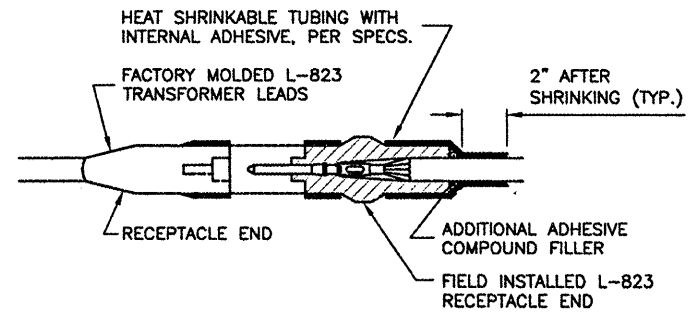
SECTION A-A
N.T.S.

VEGETATION CONTROL RING DETAIL
N.T.S.



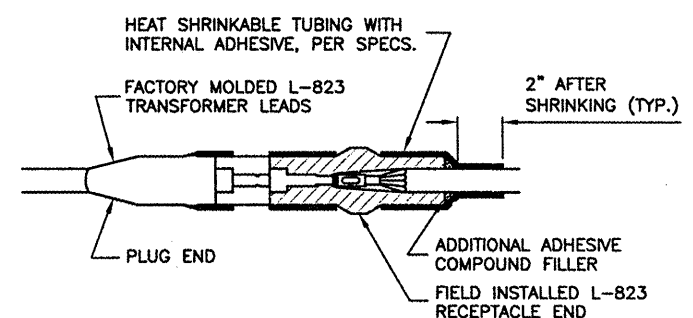
FOR IN-LINE CONNECTIONS OF EXISTING CABLES CUT DURING CONSTRUCTION.

TYPE A



FOR SPLICES AT TAXIWAY LIGHTS AND SIGNS.

TYPE C



FOR SPLICES AT TAXIWAY LIGHTS AND SIGNS.

TYPE D

CABLE SPLICES
N.T.S.

CABLE SPLICE NOTES

1. INSIDE DIAMETER OF CONNECTOR SHALL PROPERLY MATCH THE OUTSIDE DIAMETER OF CABLE.
2. THE COST OF FURNISHING AND INSTALLING ALL SPLICE MATERIALS SHALL BE INCIDENTAL TO THE ASSOCIATED CABLE ITEMS.
3. THE CONTRACTOR SHALL HAVE A MINIMUM OF TWO (2) TYPE A SPLICE KITS ON THE JOB SITE AT ALL TIMES FOR EMERGENCY REPAIRS.



SPRINGFIELD AIRPORT AUTHORITY
 ABRAHAM LINCOLN CAPITAL AIRPORT
 SPRINGFIELD, ILLINOIS

RECONSTRUCT AND EXPAND THE SOUTHEAST RAMP
 ELECTRICAL DETAILS 2

© Copyright CMT, Inc.
CMT
 CRAWFORD, MURPHY & TILLY, INC.
 CONSULTING ENGINEERS
 License No. 184-000613



DESIGN BY:	RLV/KLB
DRAWN BY:	CMT
CHECKED BY:	RLV
APPROVED BY:	RLV
DATE:	JANUARY 27, 2009
JOB No:	08035-08
IL PROJ. NO.	SPI-3885
AIP PROJ. NO.	3-17-0096-XX
SHEET	31 OF 40 SHEETS