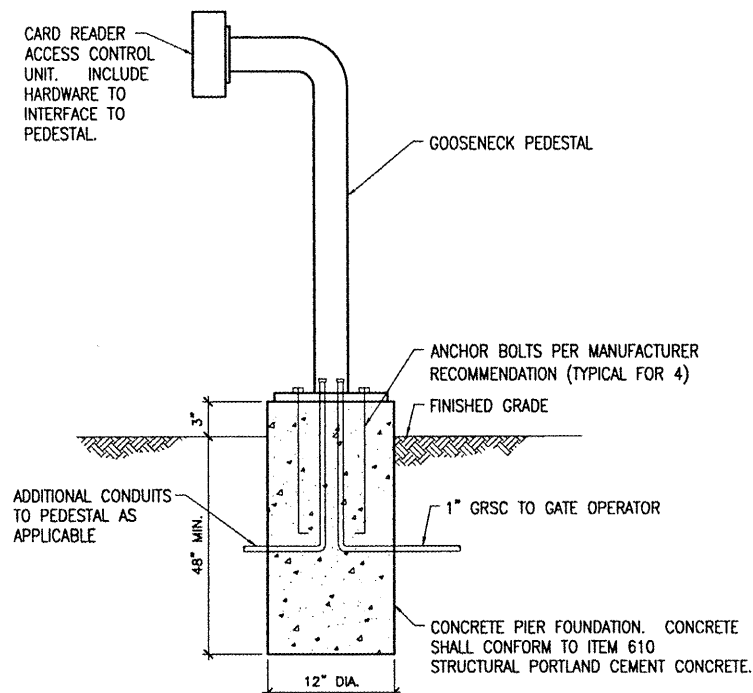


NOTES

1. THE EXPOSED PORTION OF THE BOLLARD SHALL BE PAINTED YELLOW EPOXY.
2. BOLLARD AND ASSOCIATED ITEMS ARE INCIDENTAL TO THE ELECTRIC SLIDING GATE.

**BOLLARD DETAIL**

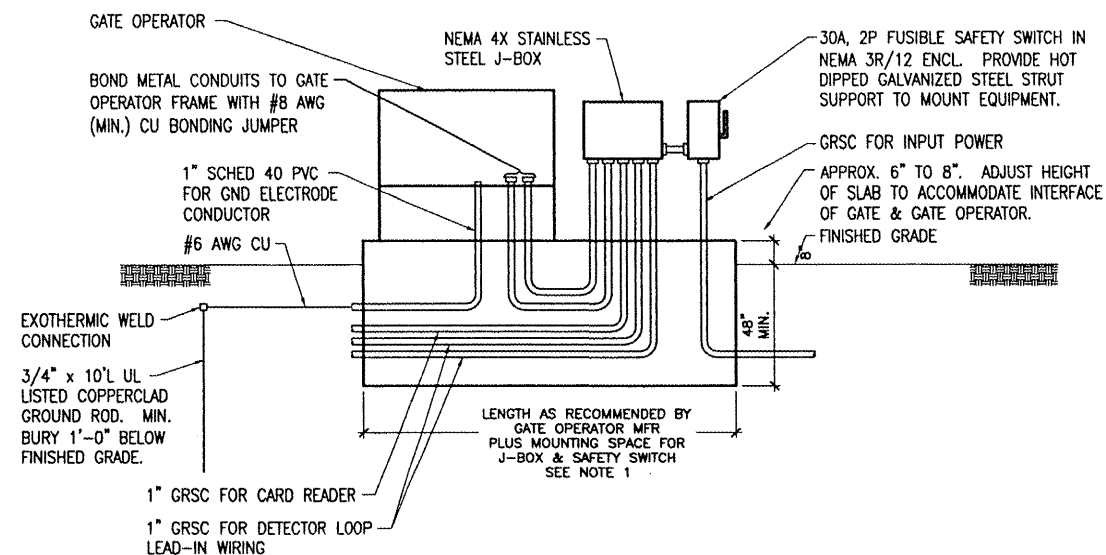


NOTES

1. SEE SPECIAL PROVISION SPECS FOR REQUIREMENTS ON CARD READER ACCESS CONTROL UNIT.
2. INCLUDE #12 AWG EQUIPMENT GND WIRE TO CARD READER.
3. FACE OF CARD READER SHALL NOT EXTEND BEYOND BOLLARDS.

**CARD READER ACCESS CONTROL UNIT PEDESTAL ELEVATION DETAIL**

SCALE: NONE

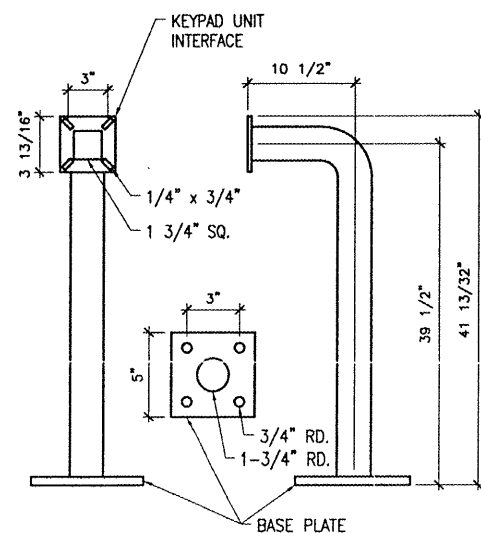


NOTES

1. FOUNDATION FOR GATE OPERATOR SHALL BE 48" MIN. IN DEPTH AND OF THE LENGTH & WIDTH RECOMMENDED BY THE MANUFACTURER, PLUS SPACE FOR SAFETY SWITCH, J-BOX & CONDUITS.
2. COORDINATE CONDUITS INTO FOUNDATION.
3. CONFIRM CONDUIT SIZES AND WIRING REQUIREMENTS WITH THE GATE OPERATOR MFR. ADJUST/INCREASE CONDUIT SIZES WHERE APPLICABLE. REQUIREMENTS VARY BETWEEN DIFFERENT MANUFACTURERS.
4. ALL ENCLOSURES RATED NEMA 4, 4X SHALL HAVE WATERTIGHT HUBS AT CONDUIT ENTRANCES U.L. LISTED NEMA 4, 4X FOR THE RESPECTIVE ENCLOSURE, TO MAINTAIN THE NEMA 4, 4X RATING.

**GATE OPERATOR FOUNDATION DETAIL**

"NOT TO SCALE"



**GOOSENECK PEDESTAL DETAIL**

SCALE: NONE

NOTE:  
GOOSENECK PEDESTAL SHALL BE AMERICAN ACCESS SYSTEMS, INC. (7079 SOUTH JORDAN RD., UNIT 6, ENGLEWOOD, CO 80112, PHONE: 800-541-5677, FAX 303-799-9756) MODEL 18-001 OR APPROVED EQUAL.



NOTES

1. WARNING SIGNS/PLACARDS AS DETAILED ABOVE OR SIMILAR, SHALL BE INSTALLED WHERE CLEARLY VISIBLE ON BOTH SIDES OF EACH ELECTRIC SLIDE GATE. WARNING SIGNS SHALL BE WEATHERPROOF, CORROSION RESISTANT METAL, AS DETAILED ABOVE, AND IN ACCORDANCE WITH THE RESPECTIVE GATE MANUFACTURER'S RECOMMENDATIONS, B&B ARMOR PART NO. 0000-0017, HY-SECURITY PART NO. MX00082, OR EQUAL.

**WARNING SIGN DETAIL**

BY	
REVISION	
DATE	
COLES COUNTY AIRPORT AUTHORITY COLS COUNTY MEMORIAL AIRPORT	
A.I.P. PROJ.: 3-17-0066-B22 I.L. PROJ.: MTO-3831	
Hanson Project No.	08A0147D_0800
File Name	E-50.1.DWG
Scale	NONE
Date	02/04/09
LAYOUT	KNL 01/02/09
DRAWN	MV 01/06/09
REVIEWED	CAH 01/07/09
Hanson Professional Services Inc. 524 South State Street Springfield, Illinois 62703-2886 Offices Nationwide	
PERIMETER FENCE INSTALLATION	CARD READER, BOLLARD & GATE OPERATOR DETAILS
<p style="font-size: 24pt; font-weight: bold;">19</p>	