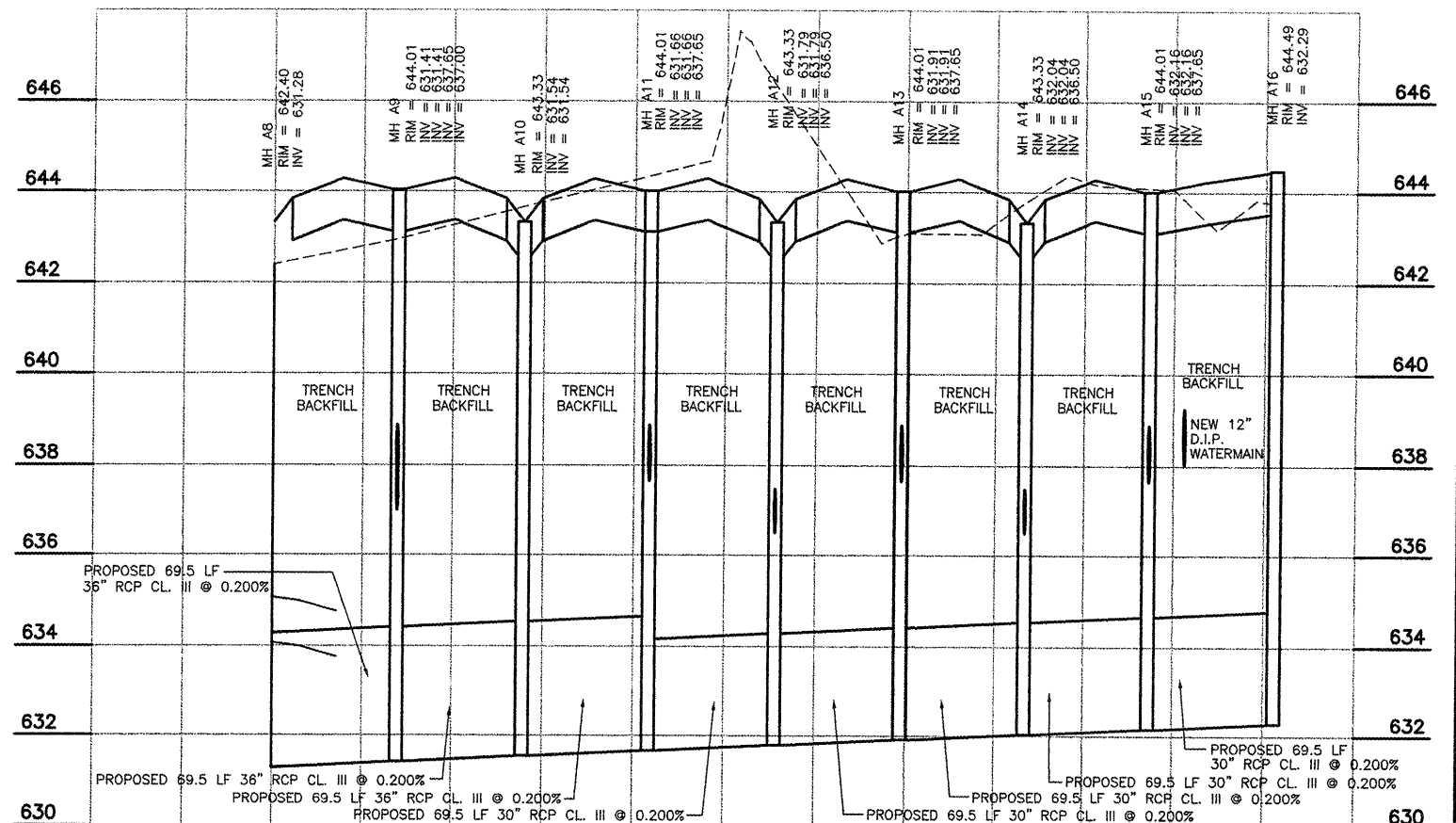
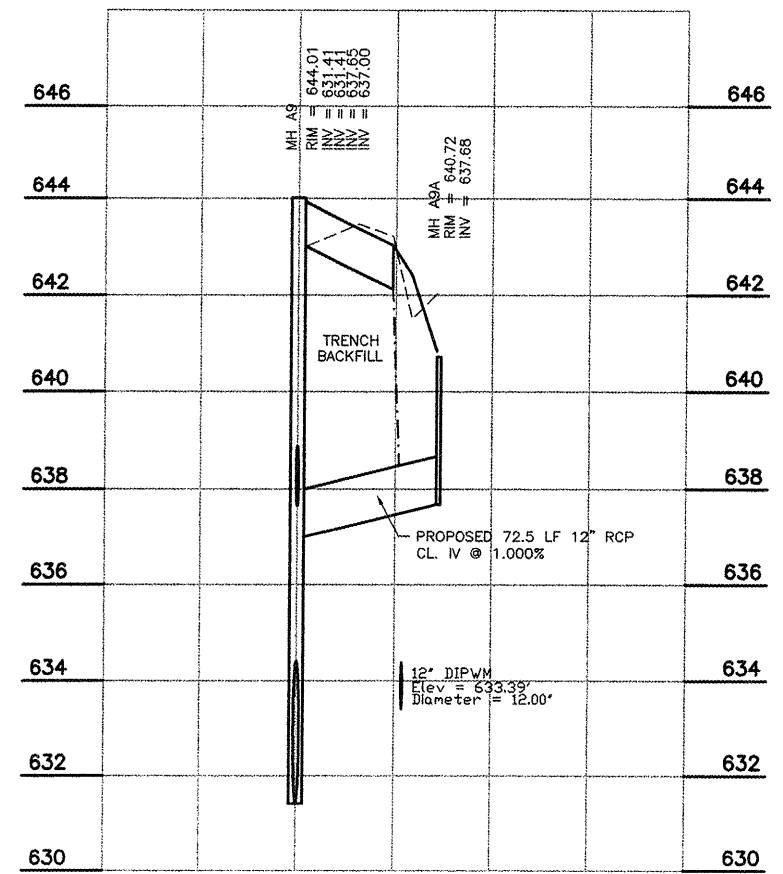


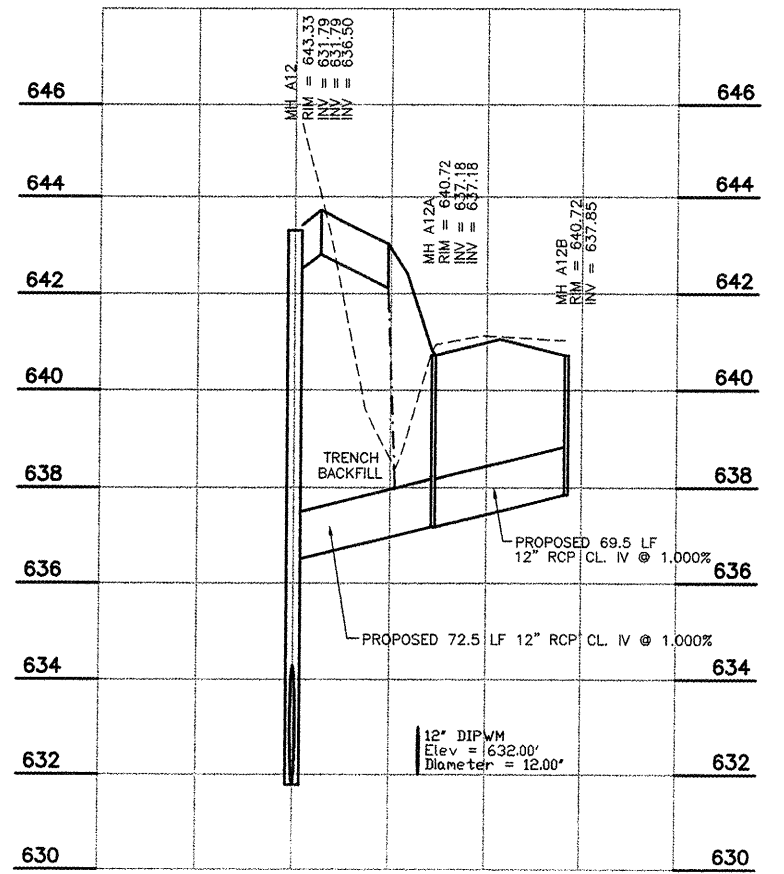
LATERAL D, E, F AND G



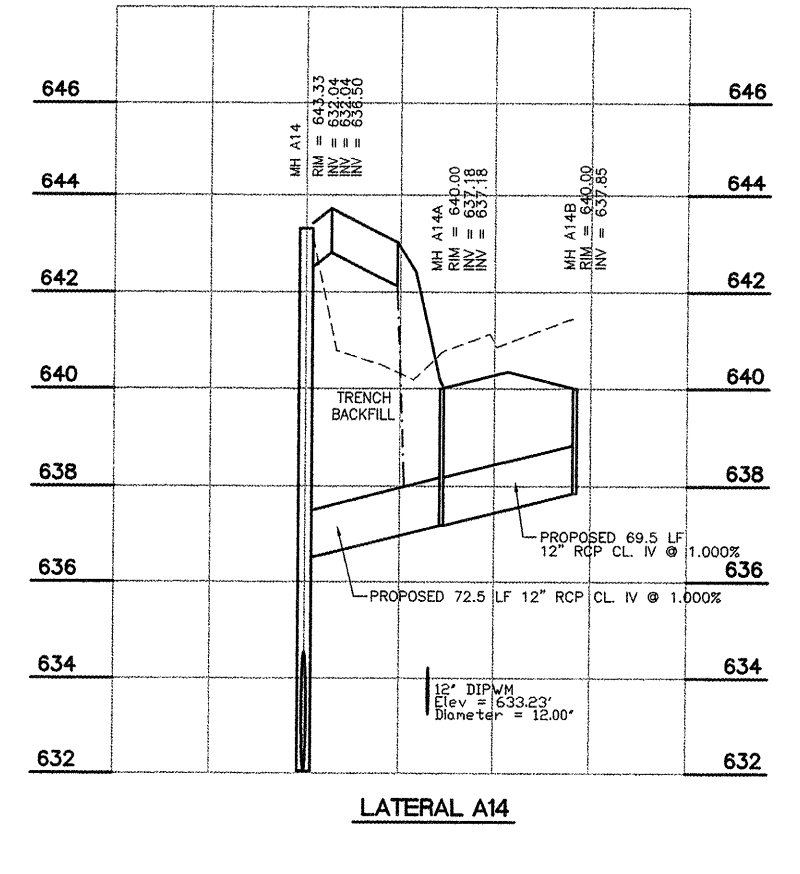
TRUNK A



LATERAL A9

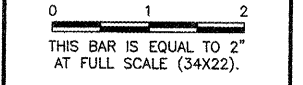


LATERAL A12



LATERAL A14

REVISIONS		
NUMBER	BY	DATE



**CHICAGO EXECUTIVE AIRPORT
 WHEELING/PROSPECT HEIGHTS, ILLINOIS
 STORM SEWER PROFILES
 SHEET 2**

© Copyright CMT, Inc.

CMT
 CRAWFORD, MURPHY & TILLY, INC.
 CONSULTING ENGINEERS
 License No. 94-000613

CHICAGO EXECUTIVE AIRPORT

DESIGN BY:	ARM
DRAWN BY:	JRO
CHECKED BY:	
APPROVED BY:	
DATE:	11/21/08
JOB No:	06290-07
ILLINOIS PROJECT:	PWK-3613
A.I.P. PROJECT:	3-17-0018-B39