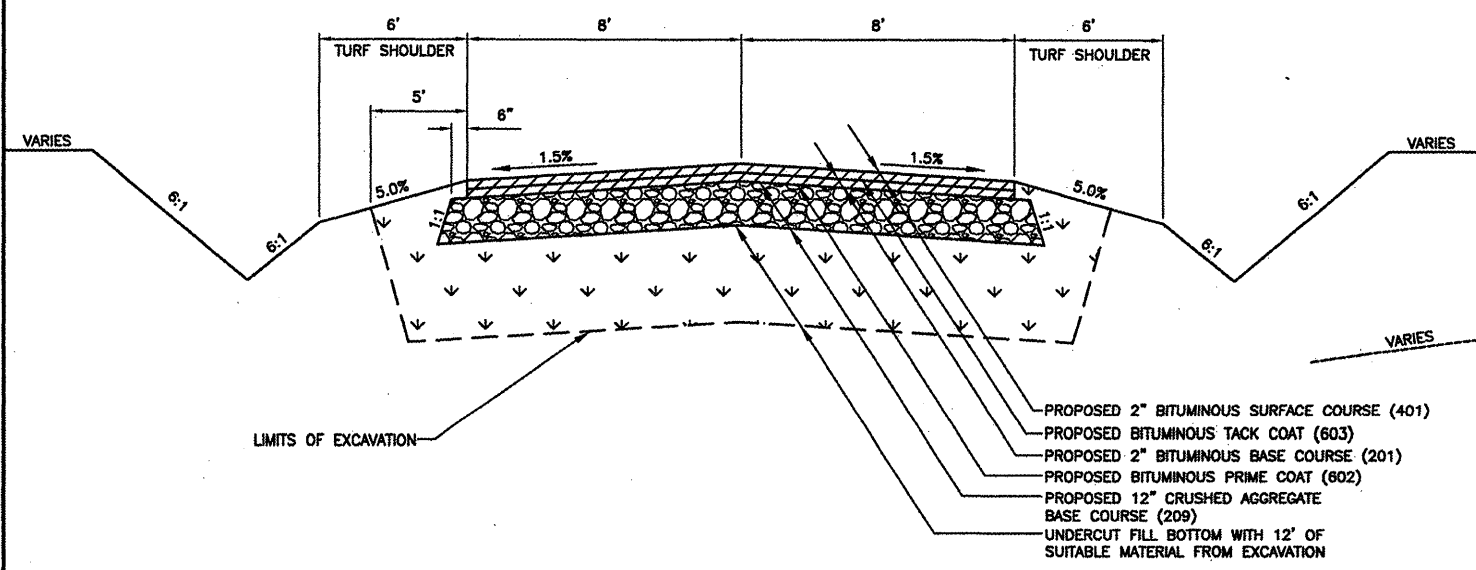
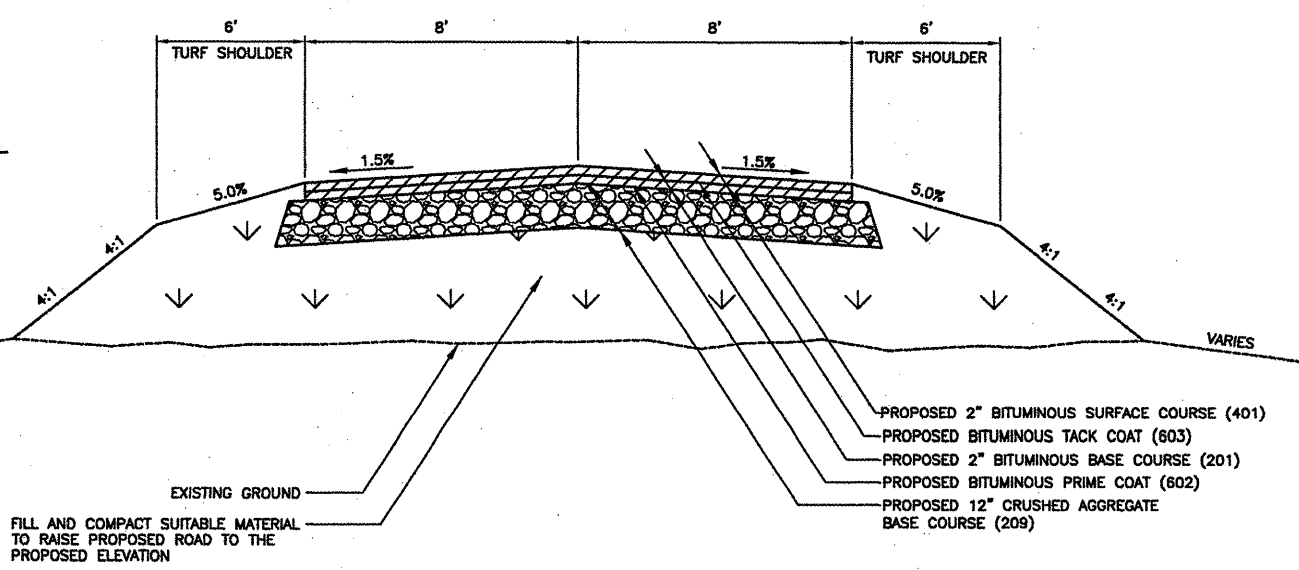


REVISIONS		
NUMBER	BY	DATE

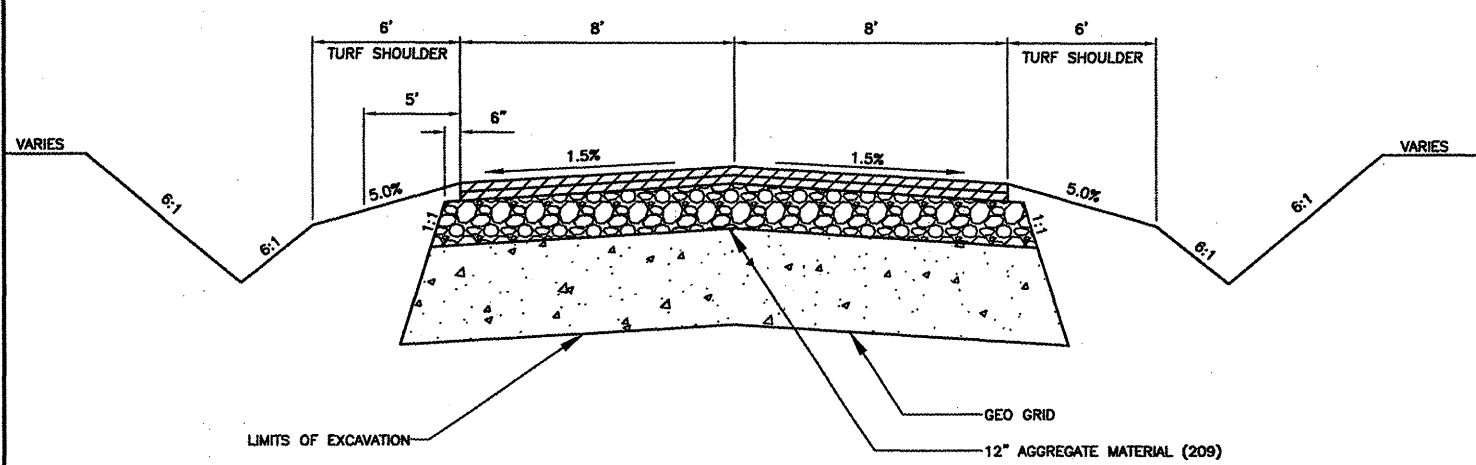
0 1 2
THIS BAR IS EQUAL TO 2'
AT FULL SCALE (34X22).
PLOT 1



4 SECTION D-D CUT AREAS AND AREAS INVOLVING LESS THAN 12" OF FILL
N.T.S.

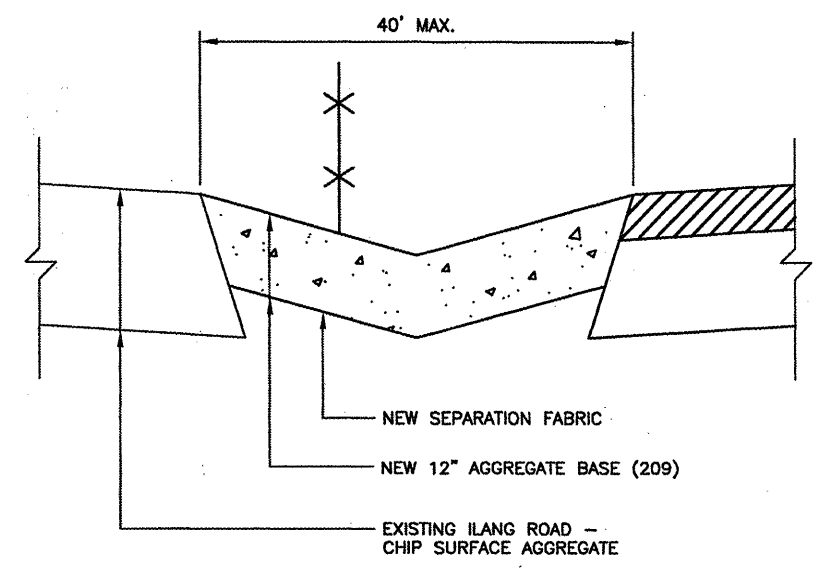


5 SECTION E-E AREAS REQUIRING MORE THAN 12" OF FILL TO SUBGRADE
N.T.S.

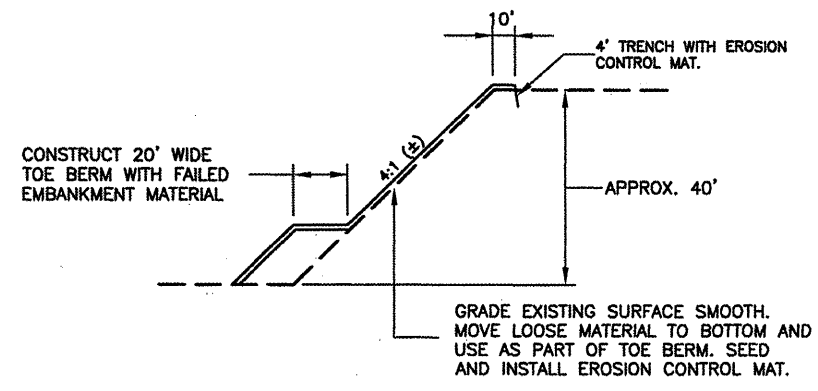


6 SECTION F-F CUT AREAS GEO GRID STABILIZATION DETAIL
N.T.S.

IN AREAS SHOWN IN THE PLANS OR AS DIRECTED BY THE ENGINEER, CONTRACTOR SHALL INSTALL GEO GRID AND ADDITIONAL AGGREGATE MATERIAL.



7 SECTION BETWEEN EXISTING GUARD ROAD AND SOUTH PERIMETER ROAD
N.T.S.



8 SLOPE STABILITY EMBANKMENT DETAIL
N.T.S.

GENERAL WAYNE A. DOWNING
PEORIA INTERNATIONAL AIRPORT
CONSTRUCT NEW PERIMETER ROAD AND
PERIMETER FENCE - PROJECT 3

© Copyright Carl, Inc.
CMT
CRAWFORD, MURPHY & TILLY, INC.
CONSULTING ENGINEERS
License No. 84-00615

IL PROJECT: PIA-3865
AIP PROJ. 3-17-0080-XX

FILE:	TYPICAL SECTIONS SOUTH
DESIGN BY:	TJH/SMS
DRAWN BY:	CMT
CHECKED BY:	CET
APPROVED BY:	CET
DATE:	02-13-2009
JOB No:	07061-04-00

TYPICAL SECTIONS
SOUTH ROAD

K:\Peoria\070610400\Draw\Sheets\1_West_South_Fence\Phase 3 Sheets
 FILE: TYPICAL SECTIONS SOUTH.dwg
 DATE: 2/11/2009 4:27 PM