

REVISIONS		
NUMBER	BY	DATE

0 1 2
THIS BAR IS EQUAL TO 2"
AT FULL SCALE (34X22).
PLOT 1

GENERAL WAYNE A. DOWNING
PEORIA INTERNATIONAL AIRPORT

**CONSTRUCT NEW PERIMETER ROAD AND
PERIMETER FENCE - PROJECT 3**

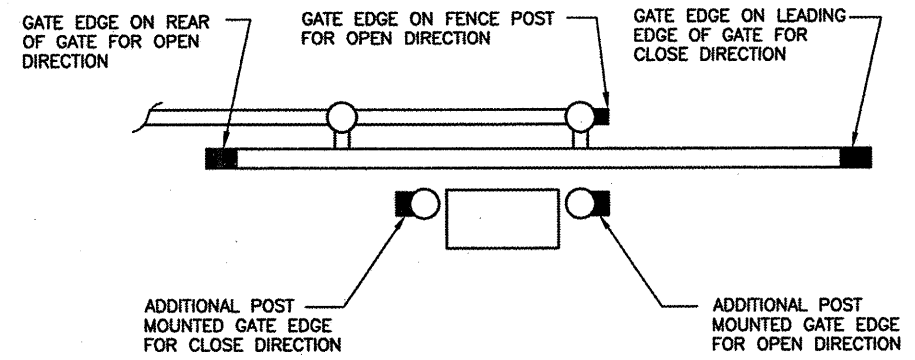
© Copyright CMT, Inc.
CMT
CRAWFORD, MURPHY & TILLY, INC.
CONSULTING ENGINEERS
License No. 84-000913

**IL PROJECT: PIA-3865
AIP PROJ: 3-17-0080-XX**

FILE:	
DESIGN BY:	TJH/SMS
DRAWN BY:	CMT
CHECKED BY:	CET
APPROVED BY:	CET
DATE:	02-13-2009
JOB No:	07061-04-00

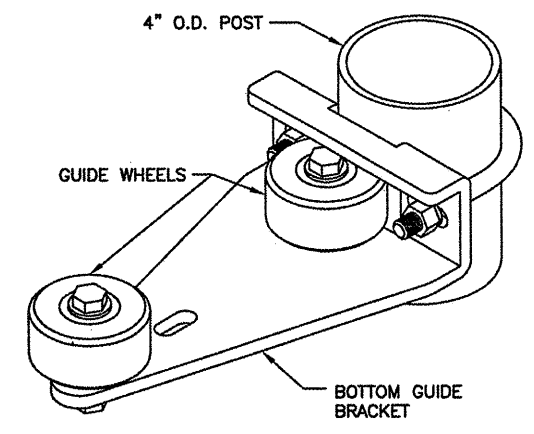
**CANTILEVER GATE DETAILS
SHEET 2 OF 2**

SHEET 73 OF 151 SHEETS



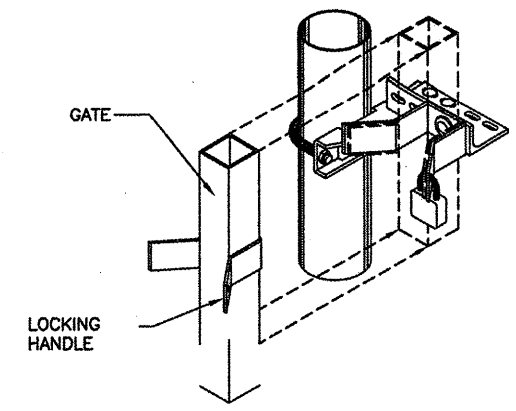
**SECONDARY GATE OPERATOR ENTRAPMENT
PROTECTION CONTACT SENSORS**

N.T.S.



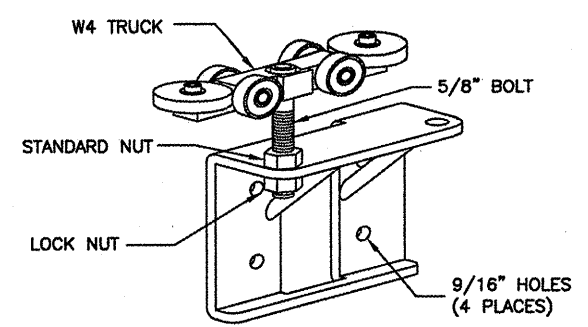
**3
5** **BOTTOM GUIDE**

N.T.S.



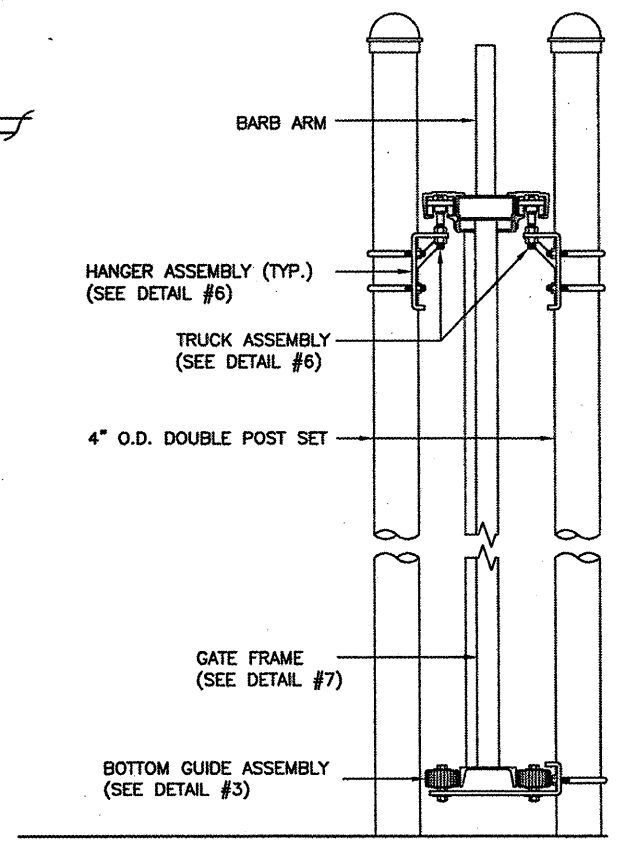
**5
5** **CATCH ASSEMBLY**

N.T.S.



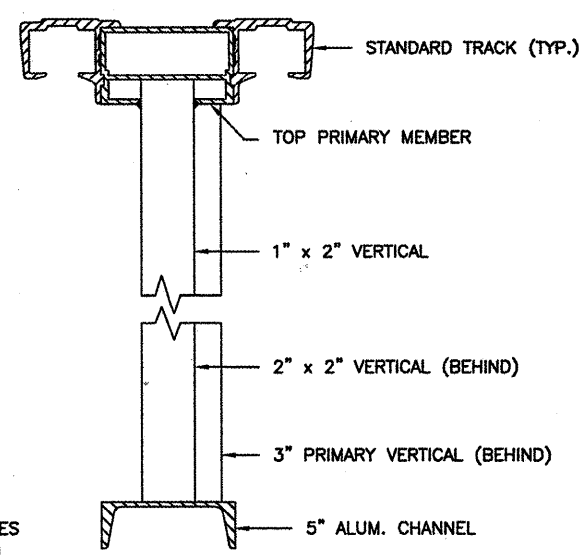
**6
5** **GATE HANGER ASSEMBLY**

N.T.S.



**4
5** **ASSEMBLY SECTION**

N.T.S.



**7
5** **GATE FRAME SECTION**

N.T.S.

CANTILEVER SLIDE GATE DETAILS

K:\Peoria\070610400\Draw\Sheets\1-West_South_Fence\Phase 3 Sheets
FILE: CANTILEVER GATE DETAILS 2.dwg
DATE: 2/12/2009 10:13 AM