

WH008



Whiteside County **AIRPORT**  
JOSEPH H. BITTORF FIELD

Whiteside County  
Airport

Sterling / Rock Falls,  
Illinois

Whiteside County  
Airport

AIP: 3-17-0098-B15  
SQI-3872

REHABILITATE  
SOUTH TERMINAL  
APRON / NORTH  
T-HANGAR  
PAVEMENTS

Revisions

No.	Date	Description

0 1  
THIS BAR IS EQUAL TO 1"  
AT FULL SCALE (17 X 11).

DESIGN BY: CMT- RFD

DRAWN BY: CMT- RFD

CHECKED BY: CMT- RFD

APPROVED BY: JGP

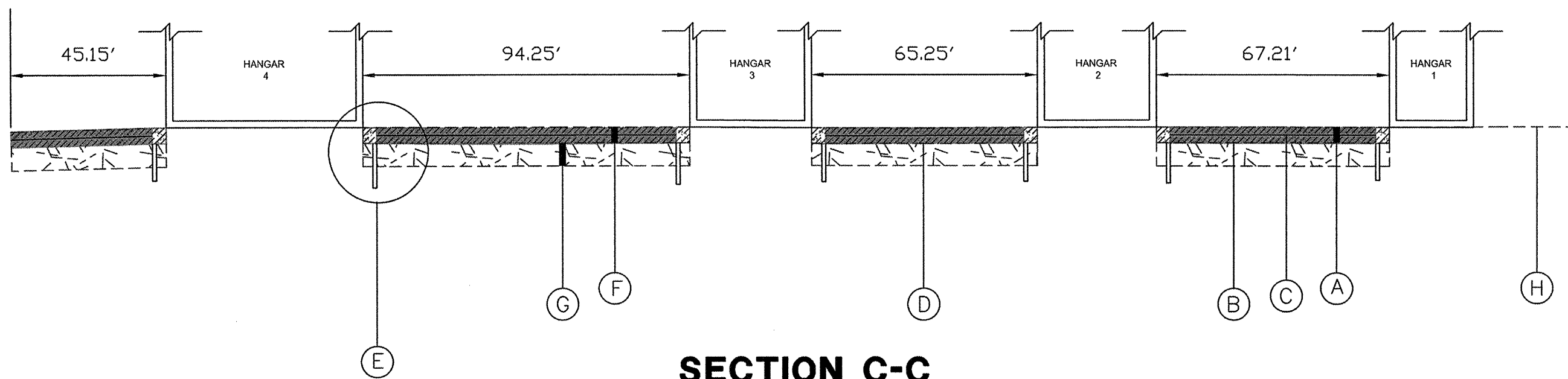
DATE: 11.21.08

JOB No: 08292-05-00

TYPICAL  
SECTIONS  
(TYP2)

05

SHEET 05 OF 15 SHEETS

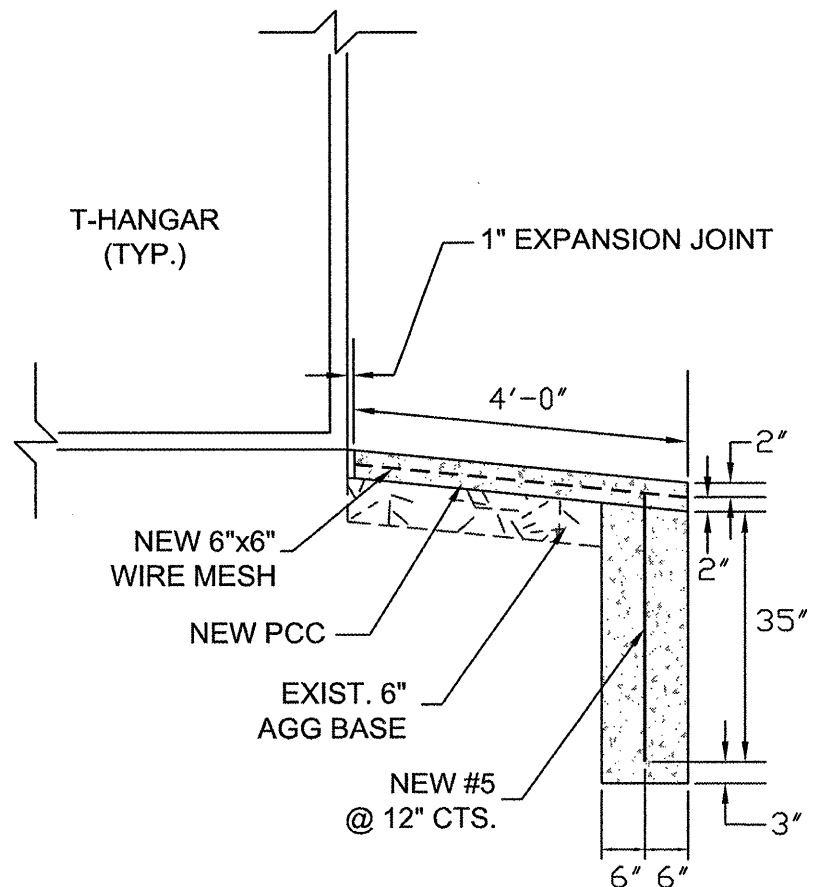


**SECTION C-C**

N.T.S.

**LEGEND**

- (A) NEW 4" SURFACE COURSE  
2 LIFTS (401)
- (B) NEW BITUMINOUS PRIME COAT (602)
- (C) NEW BITUMINOUS TACK COAT (603)
- (D) NEW AGGR. BASE GRADING (401)
- (E) NEW 4" STRUCTURAL PCC (6100510)  
SEE DETAIL THIS PAGE
- (F) EXISTING 4" BITUMINOUS PAVEMENT  
TO BE REMOVED (AR401900)
- (G) EXISTING 6" AGGR. BASE  
TO REMAIN
- (H) EXISTING GROUND LINE



**4" STRUCTURAL PCC DETAIL**

NTS

TYPICAL SECTIONS 2