

INDEX OF SHEETS

- 1 COVER SHEET
- 2 INDEX OF SHEETS, STATE STANDARDS & GENERAL NOTES
- 3 SUMMARY OF QUANTITIES
- 4- 6 TYPICAL PAVEMENT MARKINGS (DIST STD 41.1)
- 7 PAINTING DETAILS (DIST STD 44.1)
- 8- 9 EXISTING PLAN SHEETS

GENERAL NOTES

All Borrow/Waste/Use sites must be approved by the Department prior to removing any material from the project or initiating any earthmoving activities, including temporary stockpiling outside the limits of construction.

The Contractor shall be responsible for protecting utility property during construction operations as outlined in Article 107.31 of the Standard Specifications. A minimum of 48 hours advance notice is required for non-emergency work. The JULIE number is 800-892-0123. The following listed utilities located within the project limits or immediately adjacent to the project construction limits are members of JULIE:

ELECTRIC:

MIDAMERICAN ENERGY COMPANY
ATTN: MATT KOVACIC (309) 793-3704
2811 5TH AVENUE
ROCK ISLAND, IL 61201

GAS:

MIDAMERICAN ENERGY COMPANY
ATTN: ROD HAWK (309) 793-3760
2811 5TH AVENUE
ROCK ISLAND, IL 61201
TELEPHONE:

AT&T
ATTN: DAVID CREEN (309) 757-4707
2800 7TH STREET
MOLINE, IL 61265

WIINDSTREAM
ATTN: ADAM VICKERY (217) 519-8766
1815 S. MEYERS ROAD, SUITE 900
OAK BROOK TERRACE, IL 60181

CATV:

MEDIACOM
ATTN: DENNIS JARDING (309) 743-4750
3900 26TH AVENUE
MOLINE, IL 61265

WATER AND SEWER:

CITY OF ROCK ISLAND
ATTN: MIKE KANE (309) 732-2238
1309 MILL STREET
ROCK ISLAND, IL 61201

STATE STANDARDS

- 000001 - 06 STANDARD SYMBOLS, ABBREVIATIONS, AND PATTERNS
- 001006 DECIMAL EQUIVALENTS OF AN INCH AND FOOT
- 701006 - 05 OFF ROAD OPERATIONS, 2L, 2W, 15'(4.5 m) TO 24" (600 mm) FROM PAVEMENT EDGE
- 701101 - 04 OFF ROAD MOVING OPERATIONS, 2L, 2W, DAY ONLY
- 701106 - 02 OFF ROAD OPERATIONS, MULTILANE, MORE THAN 15' (4.5m) AWAY
- 701421 - 07 LANE CLOSURE, MULTILANE, DAY OPERATIONS ONLY, FOR SPEEDS ≥ 45 MPH TO 55 MPH
- 701426 - 07 LANE CLOSURE, MULTILANE, INTERMITTENT OR MOVING OPER., FOR SPEEDS ≥ 45 MPH
- 701901 - 04 TRAFFIC CONTROL DEVICES
- 704001 - 07 TEMPORARY CONCRETE BARRIER
- 720011 - 01 METAL POSTS FOR SIGNS, MARKERS & DELINEATORS
- 728001 - 01 TELESCOPING STEEL SIGN SUPPORT
- 729001 - 01 APPLICATIONS OF TYPES A & B METAL POSTS (FOR SIGNS & MARKERS)

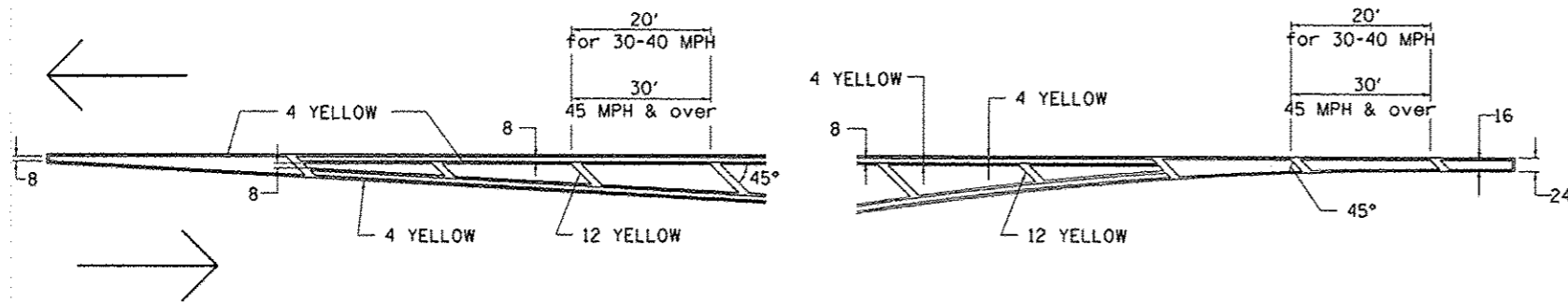
IDOT is not a member of JULIE. If you are near any overhead lighting, intersection lighting or traffic signals, contact the IDOT Traffic Office at 815/284-5469 at least 48 hours prior to work.

No Stream Permits have been procured for this project. None are required from the Regulatory Agencies as long as there is no debris falling or being placed into the stream. Any temporary fill in the stream or the compromising of the dike (if applicable) will not be allowed. If the contractor chooses to use alternate/modified construction method(s) from the aforementioned, they will be responsible for obtaining the proper permits. No relief or compensation will be given for any delays, working days charged, or calendar days expired as a result of the loss of time or delay during the re-submittal process to procure the necessary permit(s) due to the contractor choosing alternate/modified construction method(s). Absolutely no construction activities will take place without the proper permits being secured

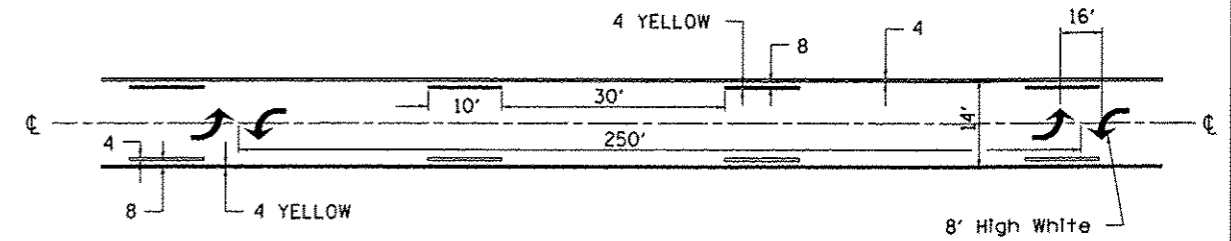
FILE NAME * D:\BR\00001\Rock Island\64K50 Cleaning	USER NAME * dowadd	DESIGNED - BROWN	REVISED -	STATE OF ILLINOIS DEPARTMENT OF TRANSPORTATION	INDEX OF SHEETS, STATE STANDARDS GENERAL NOTES		F.A.P. RTE. 308	SECTION (1328)P	COUNTY ROCK ISLAND	TOTAL SHEETS 9	SHEET NO. 2	
Plot Scale * 100.0000 / in.	CHECKED -	REVISED -	REVISED -		SCALE: _____	SHEET _____	OF _____	SHEETS	STA. _____	TO STA. _____	CONTRACT NO. 64K50	
PLOT DATE * Fri Oct 10 11:02:03 2014	DATE -	REVISED -	REVISED -		ILLINOIS FED. AID PROJECT							
Default												

TYPICAL PAVEMENT MARKINGS

TYPICAL PAVEMENT MARKING FOR FLUSH MEDIAN AT LEFT TURN LANE

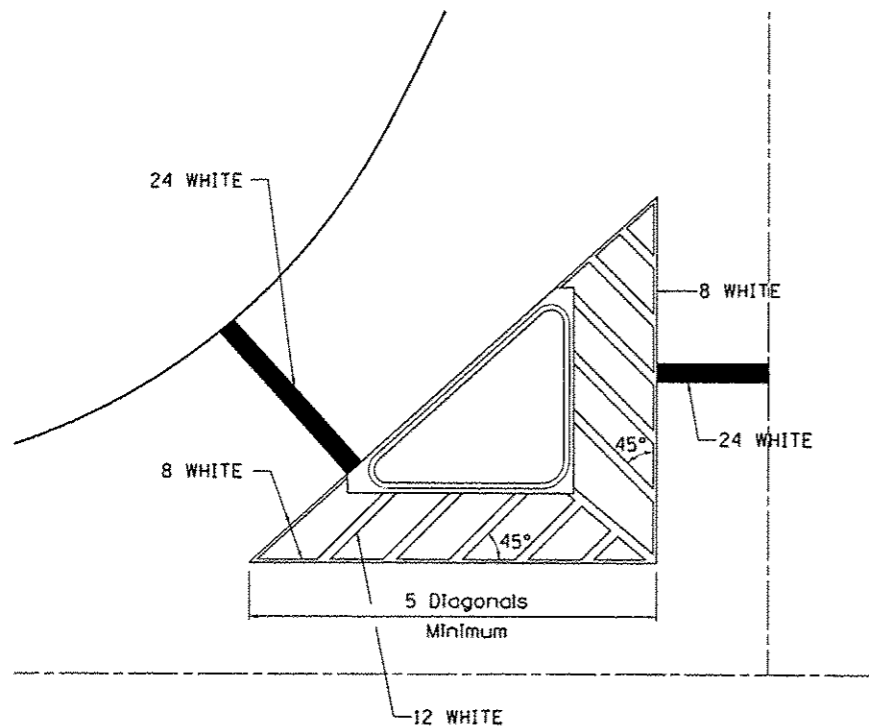


MEDIAN PAVEMENT MARKING



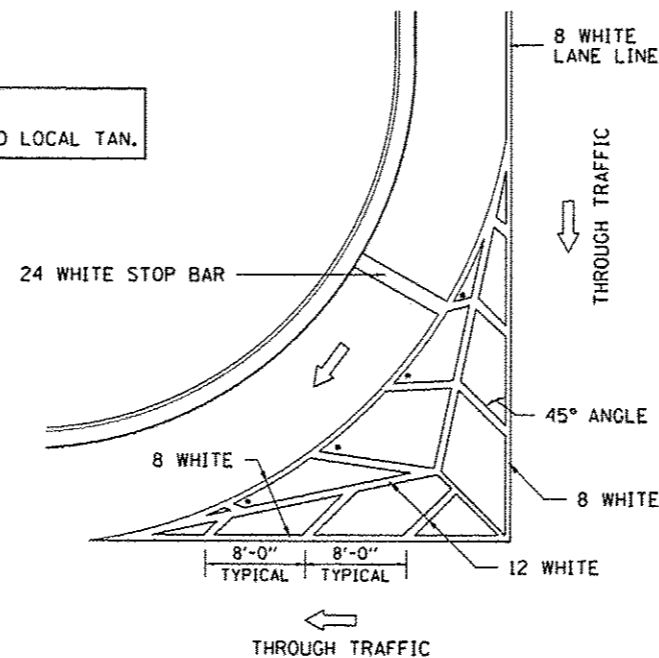
•• ALL DIMENSIONS ARE IN INCHES UNLESS OTHERWISE NOTED.

TYPICAL ISLAND OFFSET SHOULDER WIDTH



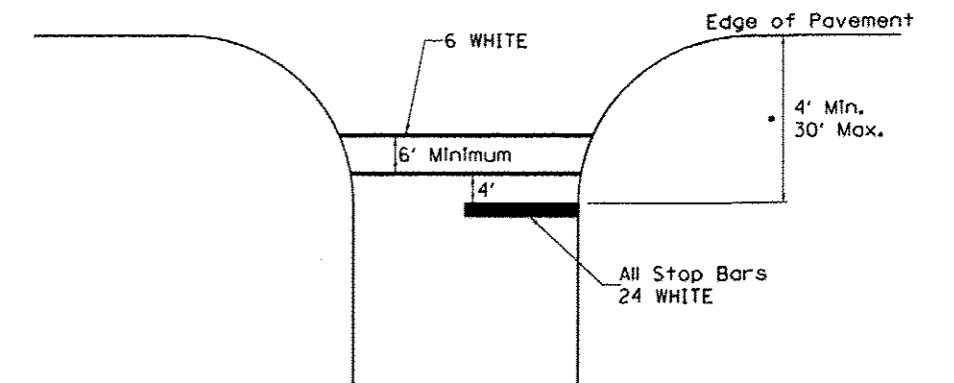
TYPICAL MARKING FOR PAINTED ISLANDS

NOTE:
* 45° TO LOCAL TAN.



STANDARD CROSSWALK MARKING

See Schedules for Locations

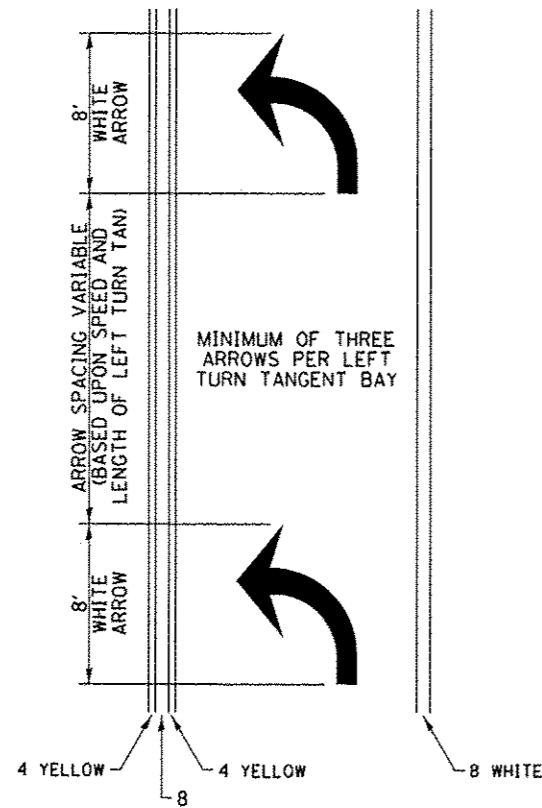


• Distance to the nearest edge of the intersecting roadway in the absence of a marked crosswalk.

FILE NAME =	USER NAME = dssidd	DESIGNED -	REVISED - 6-27-14	STATE OF ILLINOIS DEPARTMENT OF TRANSPORTATION	REGION 2 / DISTRICT 2 STANDARD	F.A.P. RTE.	SECTION	COUNTY	TOTAL SHEETS	SHEET NO.
D:\BR\Draws\Rock Island\64K50 Cleaning and Painting SN 001-0091 & 0092\CADD\02-64K50	DRAWN =	REVISED - 3-05-12	308			1132BP	ROCK ISLAND	9	4	
PLOT SCALE = 1/8" = 1'-0"	CHECKED -	REVISED -	CONTRACT NO.			64K50				
PLOT DATE = Fri Oct 10 11:02:20 2014	DATE -	REVISED -	FED. ROAD DIST. NO. - ILLINOIS FED. AID PROJECT							

TYPICAL PAVEMENT MARKINGS

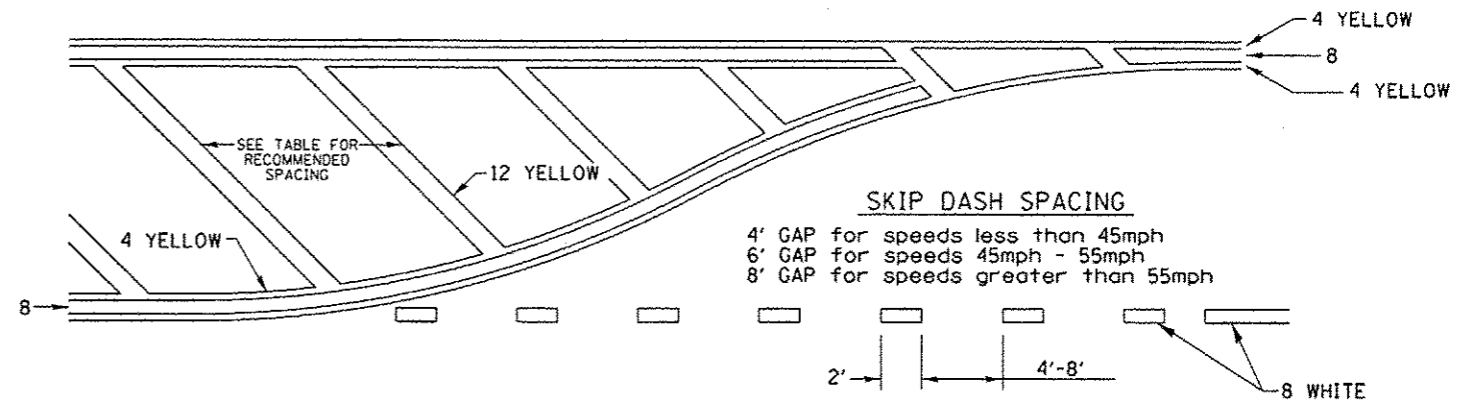
ARROW LAYOUT



- ▲ ONE-WAY AMBER MARKER
- △ ONE-WAY CRYSTAL MARKER
- ◆ TWO-WAY AMBER MARKER

ALL DIMENSIONS ARE IN INCHES UNLESS OTHERWISE NOTED.

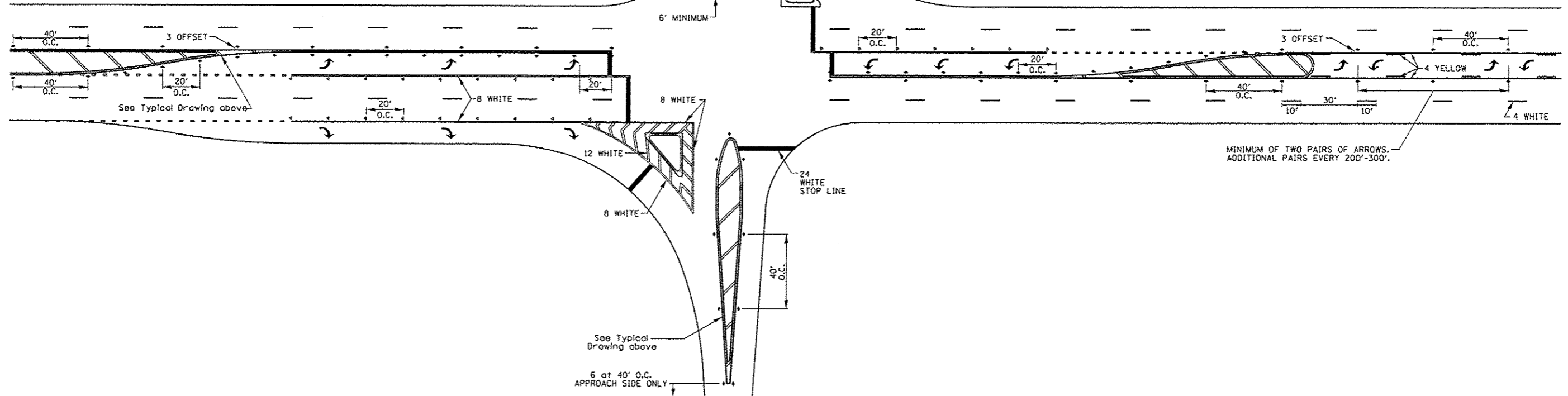
TYPICAL PAVEMENT MARKING FOR FLUSH MEDIAN



RECOMMENDED SPACING BETWEEN DIAGONALS (IN FEET)

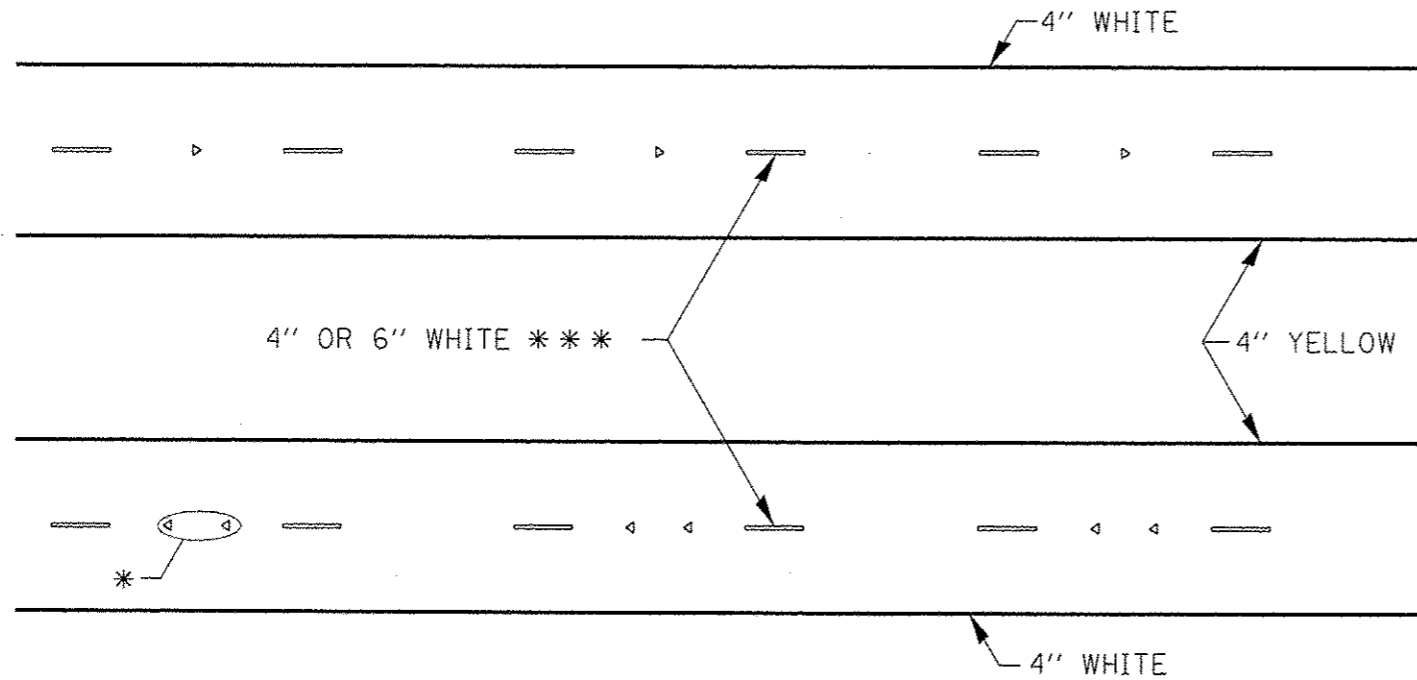
Speed Limit Range	Continuous Median Area	Intersection Channelization	Objects (Islands)
less than 30MPH	50'	15'	10'
30-40MPH	75'	20'	15'
45MPH & over	75'	30'	20'

NOTE: If the spacing recommended in the Table does not permit at least five diagonal lines in the area being marked, the spacing from the next lowest speed range should be used. The recommended spacing is measured parallel to the pavement center line.



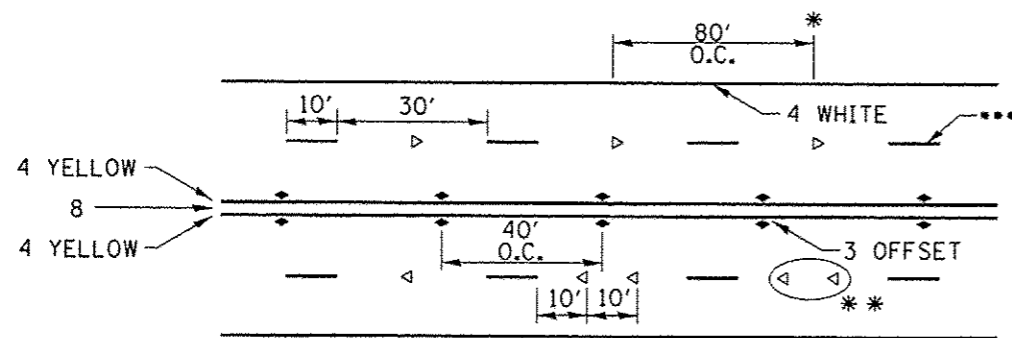
FILE NAME :	USER NAME : dssdd	DESIGNED -	REVISED - 6-27-14	STATE OF ILLINOIS DEPARTMENT OF TRANSPORTATION	REGION 2 / DISTRICT 2 STANDARD	F.A.P. RTE.	SECTION	COUNTY	TOTAL SHEETS	SHEET NO.
D:\BR\Ossa\Rock Island\64K50 Cleaning and Painting SN 001-0091 & 0092\CA001\02-64K50	DRAWN: ar.dgn	CHECKED -	REVISED - 3-05-12			308	(132)P	ROCK ISLAND	5	5
PLOT SCALE : 1/8" = 1'-0"	DATE -	REVISED -				CONTRACT NO. 64K50				
PLOT DATE : Fri Oct 10 11:02:26 2014	DATE -	REVISED -				FED. ROAD DIST. NO. - ILLINOIS FED. AID PROJECT				

TYPICAL PAVEMENT MARKINGS



* SEE HIGHWAY STANDARD 781001 FOR SPACING DETAILS.
USE DOUBLE MARKERS WHEN ADT > 20,000.

MULTI-LANE / DIVIDED



• REDUCE TO 40' O.C. ON CURVES WHERE ADVISORY SPEEDS ARE 10 MPH LOWER THAN POSTED SPEEDS.

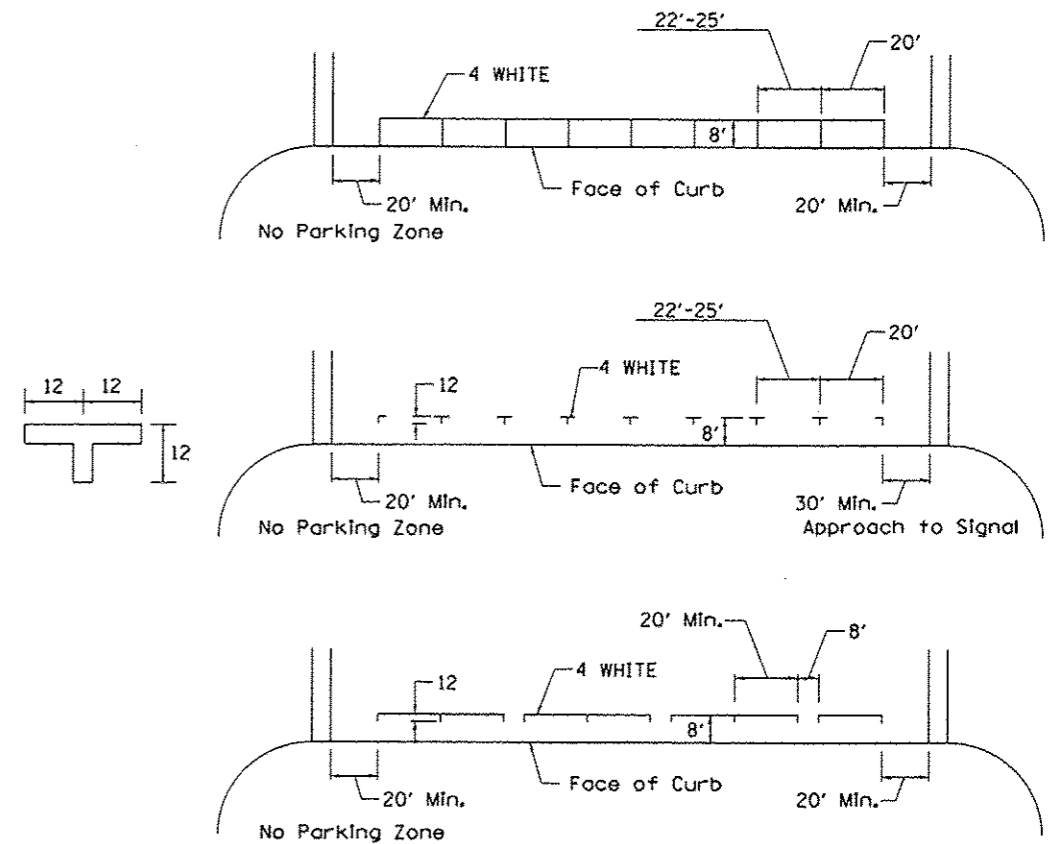
•• USE DOUBLE MARKERS WHEN ADT ≥ 20,000

••• CENTERLINE SKIP DASH PAVEMENT MARKING SPEED LIMIT LESS THAN 40 MPH USE 4" LINE. SPEED LIMIT 40 MPH AND OVER USE 6" LINE.

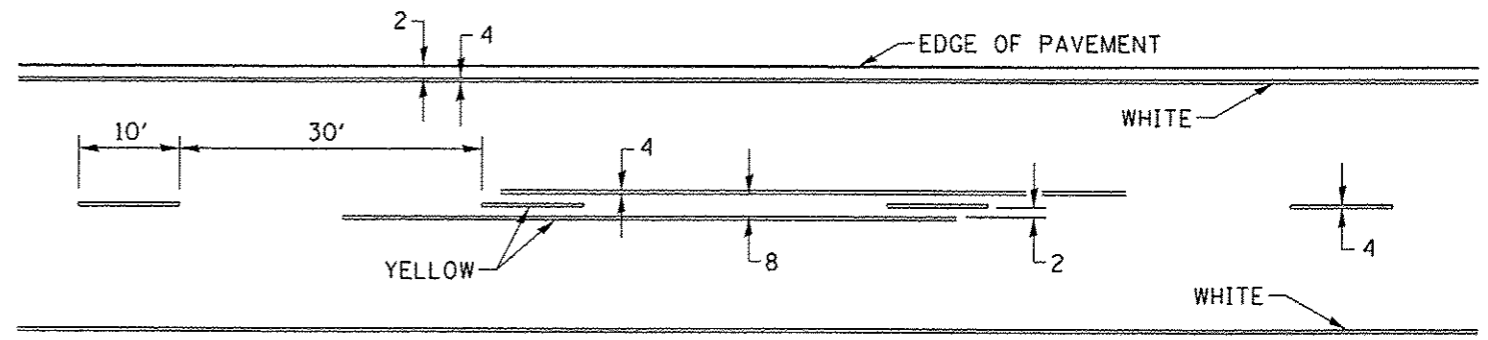
MULTI-LANE / UNDIVIDED & ONE WAY

(FOR MULTI-LANE UNDIVIDED HIGHWAYS USE THIS
DETAIL NOT HIGHWAY STANDARD 781001)

TYPICAL PARKING SPACING



TYPICAL PAVEMENT MARKING FOR TWO LANE SECTION - NO PASSING ZONES



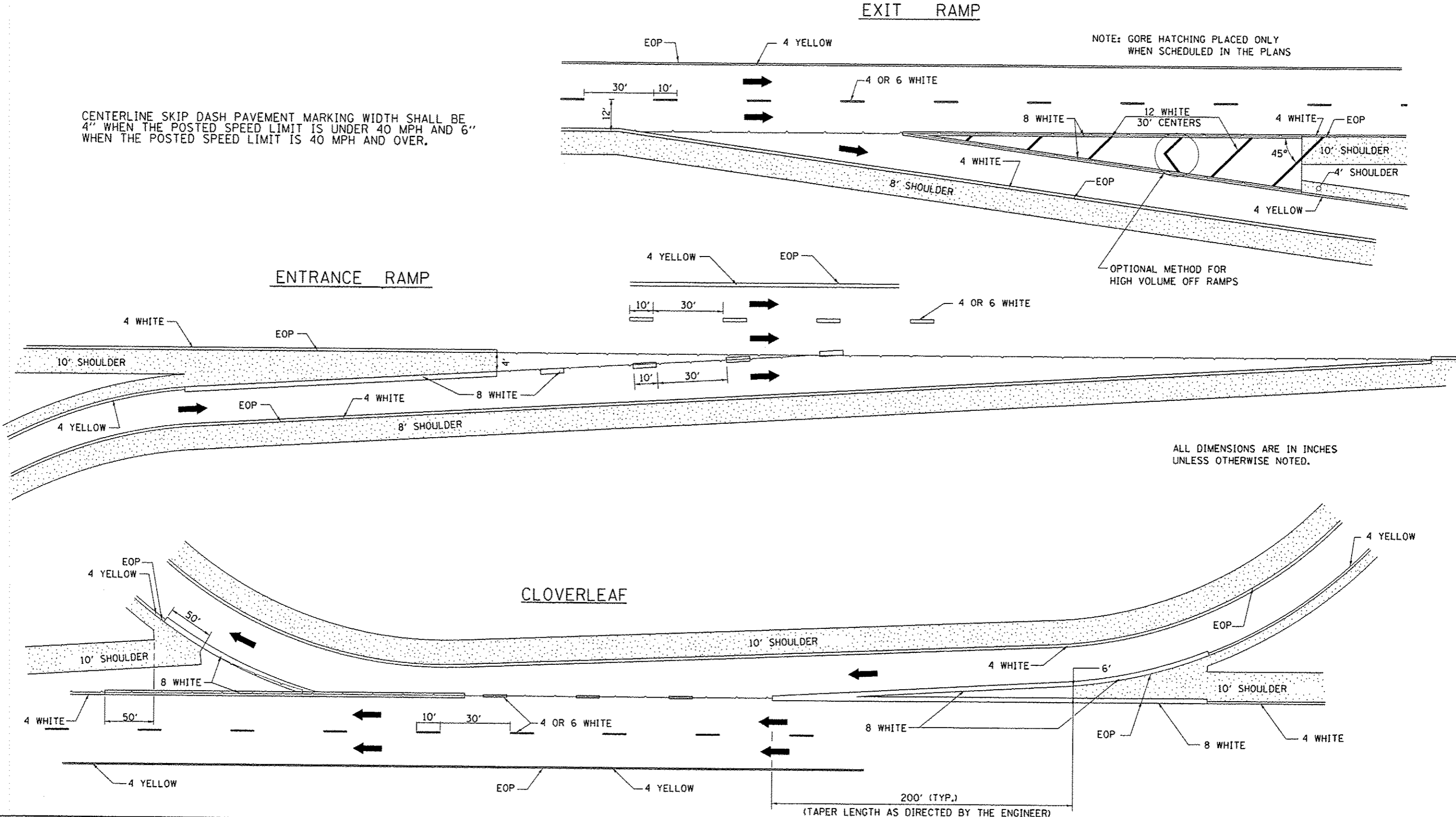
SYMBOLS

FILE NAME =	USER NAME = dssadd	DESIGNED -	REVISED - 6-27-14	STATE OF ILLINOIS DEPARTMENT OF TRANSPORTATION	REGION 2 / DISTRICT 2 STANDARD	F.A.P. R.T.E.	SECTION	COUNTY	TOTAL SHEETS	SHEET NO.
D:\BAY\Bass\Rock Island\64K50 Cleaning and Painting SN 001-0291 & 0092\CAD\02-64K50.DRAWN.er.dgn	PLDT SCALE = 1/8" = 1' / in.	CHECKED -	REVISED - 8-27-13			308	(1328)P	ROCK ISLAND	6	6
PLDT DATE = Fri Oct 10 10:02:32 2014	DATE -	REVISED - 11-20-12	CONTRACT NO. 64K50			FED. ROAD DIST. NO. [ILLINOIS] FED. AID PROJECT				
		REVISED -				SCALE: _____	SHEET NO. _____ OF _____ SHEETS	STA. _____ TO STA. _____		

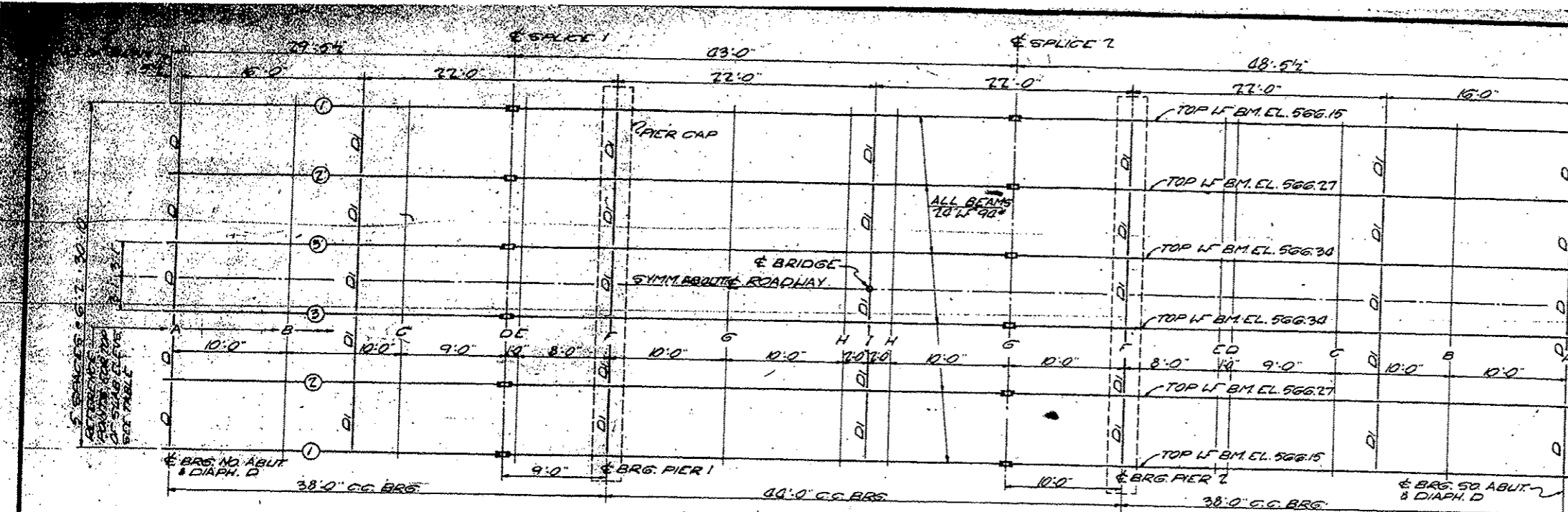
PAINTING DETAILS

CENTERLINE SKIP DASH PAVEMENT MARKING WIDTH SHALL BE 4" WHEN THE POSTED SPEED LIMIT IS UNDER 40 MPH AND 6" WHEN THE POSTED SPEED LIMIT IS 40 MPH AND OVER.

NOTE: GORE HATCHING PLACED ONLY WHEN SCHEDULED IN THE PLANS



FILE NAME = CHBR\Doss\Rock Island\64K50 Cleaning and Painting	USER NAME = dssdd	DESIGNED -	REVISED - 8-27-13	STATE OF ILLINOIS DEPARTMENT OF TRANSPORTATION	REGION 2 / DISTRICT 2 STANDARD	F.A.P. RTE. 308	SECTION (132BP)	COUNTY ROCK ISLAND	TOTAL SHEETS 9	SHEET NO. 7	
			REVISED - 10-18-11			SCALE: _____	SHEET NO. _____ OF _____ SHEETS	STA. _____ TO STA. _____	CONTRACT NO. 64K50		
			REVISED -			FED. ROAD DIST. NO. - ILLINOIS FED. AID PROJECT					
			REVISED -			PAINTING DETAILS 44.1					

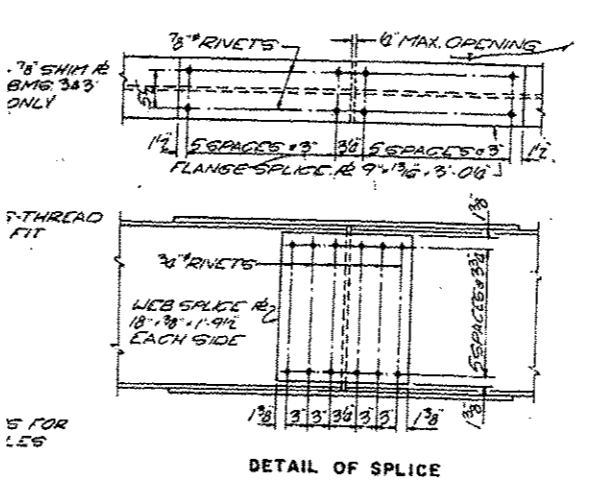
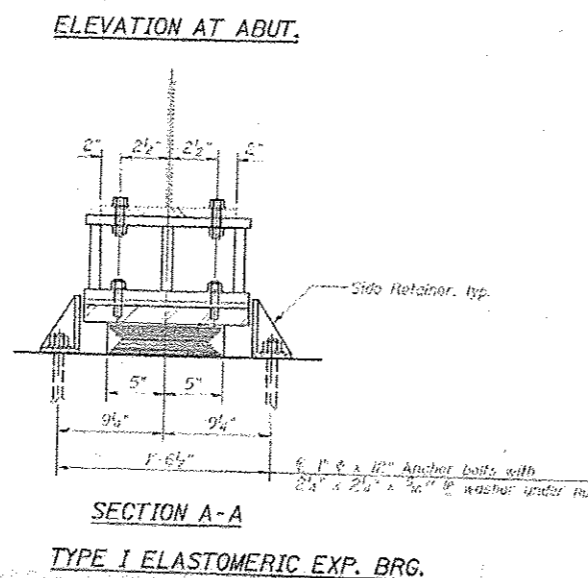
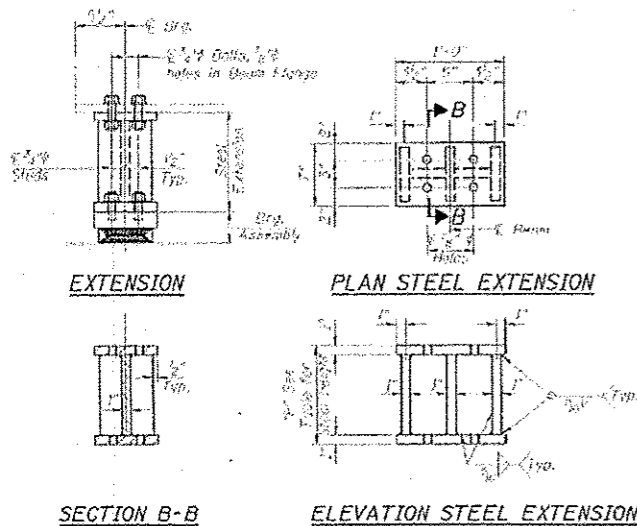
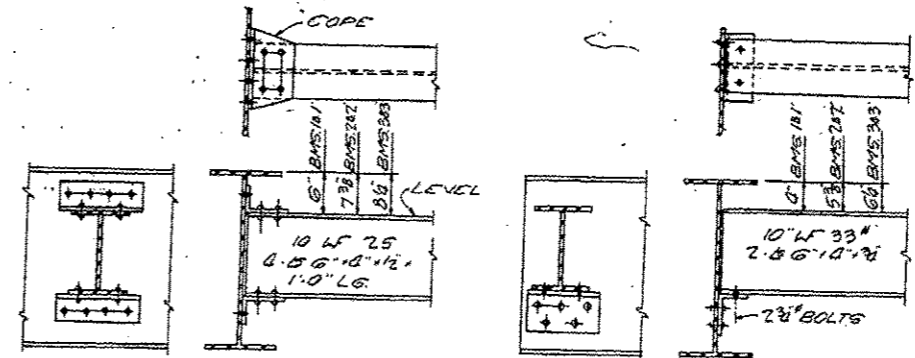
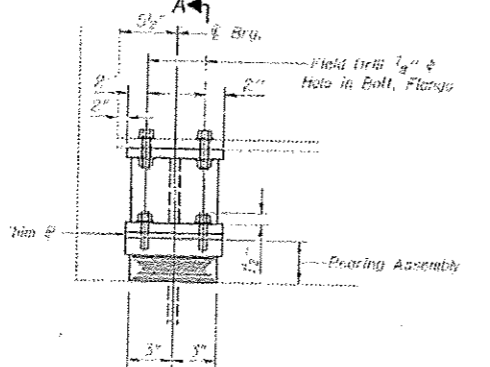


NOTE: ALL BEAMS FABRICATED ALONG STRAIGHT LINE PROFILE, I.E. NO BREAK AT SPLICES. ALL BEAMS TO BE SET AT 0.00% GRADE.

GENERAL NOTES:
 ALL RIVETS SHALL BE 3/4" IN 1/2" HOLES, EXCEPT IN BEAM FLANGE SPLICES WHICH SHALL BE 1/2" IN 3/4" HOLES. HOLES FOR BEAM SPLICES SHALL BE PUNCHED 1/8" AND REAMED TO CORRECT SIZE WITH STAINLESS ASSEMBLED IN THE SHOP IN PROPER POSITION WITH OR WITHOUT DIAPHRAGMS IN PLACE. LEAVE ASSEMBLED FOR INSPECTION.
 ALL ROCKERS, BEARING PLATES, LEAD PLATES, PINTLES AND ANCHOR BOLTS SHALL BE FABRICATED AND SET IN ACCORDANCE WITH ARTICLE 51.5 OF THE STANDARD SPECIFICATIONS, AND ARE INCLUDED FOR PAYMENT AS STRUCTURAL STEEL EST. LT. 2200. LBS. ANCHOR BOLTS SHALL BE SET BEFORE ERECTING DIAPHRAGMS OVER PIERS AND ABUTMENTS.
 EXCEPT AS OTHERWISE PROVIDED, ALL STRUCTURAL STEEL SHALL RECEIVE ONE SHOP COAT OF RED LEAD PAINT AND TWO FIELD COATS OF ALUMINUM PAINT. SEE ARTICLES 56.1 TO 56.5 INCLUSIVE OF THE STANDARD SPECIFICATIONS.
 ALL PAINT SHALL BE FURNISHED AND APPLIED BY THE CONTRACTOR.
 STRUCTURAL STEEL SHALL BE SHOP INSPECTED BY THE ILLINOIS DIVISION OF HIGHWAYS BEFORE PAINTING. WELDING SHALL COMPLY WITH ARTICLE 50.5 (6) OF THE STANDARD SPECIFICATIONS.

FRAMING PLAN FOR EAST & WEST STRUCTURES

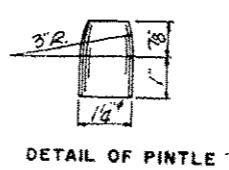
SP. NO.	SP. DIM.	SP. DIM.	SP. NO.	SP. DIM.	SP. DIM.
1	10'-0"	10'-0"	1	10'-0"	10'-0"
2	10'-0"	10'-0"	2	10'-0"	10'-0"
3	9'-0"	9'-0"	3	10'-0"	10'-0"
4	8'-0"	8'-0"	4	10'-0"	10'-0"
5	10'-0"	10'-0"	5	10'-0"	10'-0"
6	10'-0"	10'-0"	6	10'-0"	10'-0"
7	10'-0"	10'-0"	7	10'-0"	10'-0"
8	10'-0"	10'-0"	8	10'-0"	10'-0"
9	10'-0"	10'-0"	9	10'-0"	10'-0"
10	10'-0"	10'-0"	10	10'-0"	10'-0"



TOP OF SLAB ELEVATION

LOCATION	A	B	C	D	E	F	G	H	I
BMS 181	566.76	566.77	566.78	566.79	566.79	566.80	566.80	566.80	566.80
BMS 242	566.88	566.89	566.90	566.91	566.91	566.92	566.92	566.92	566.92
BMS 343	566.95	566.96	566.97	566.98	566.98	566.99	566.99	566.99	566.99

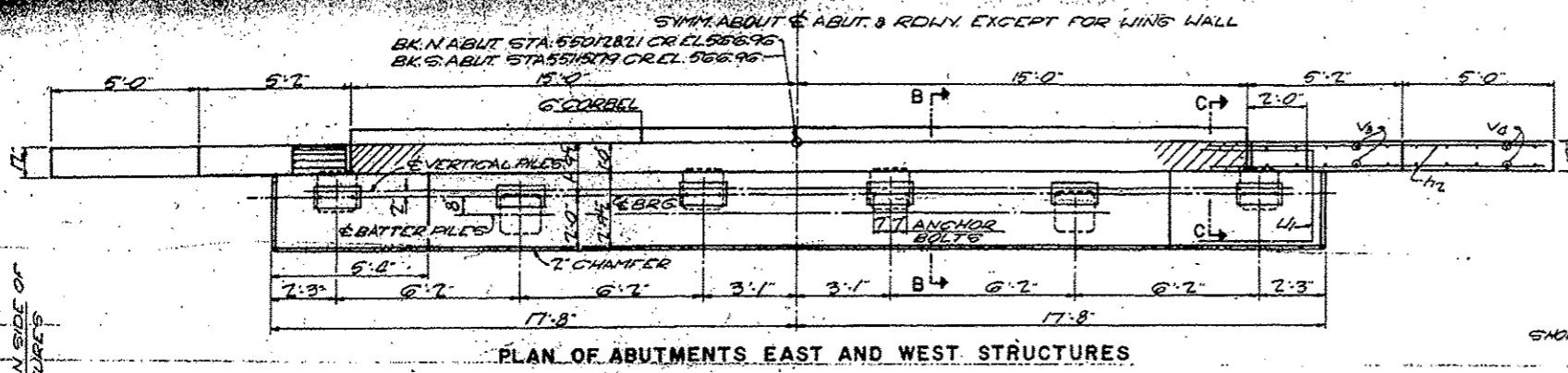
(DOES NOT INCLUDE DEAD LOAD DEFLECTIONS)



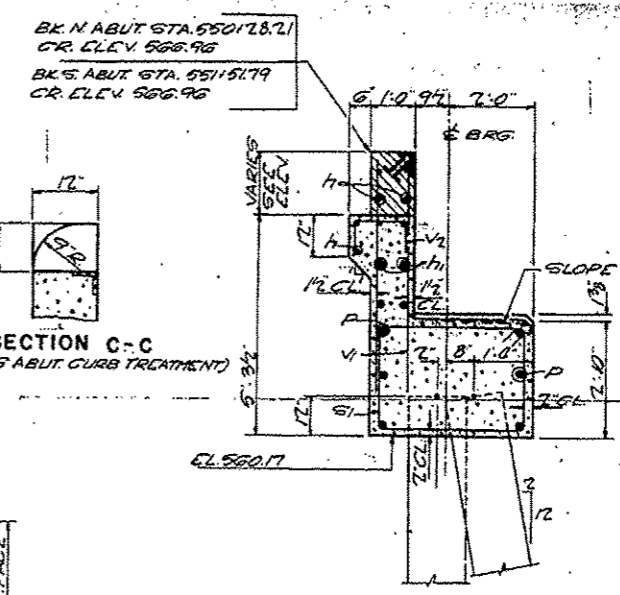
FOR INFORMATION ONLY

STRUCTURAL STEEL - E & W STRUCTURES
 F.A.S. RTE. 703 SEC. 132 B
 ROCK ISLAND COUNTY, ILL.
 STA. 550+90

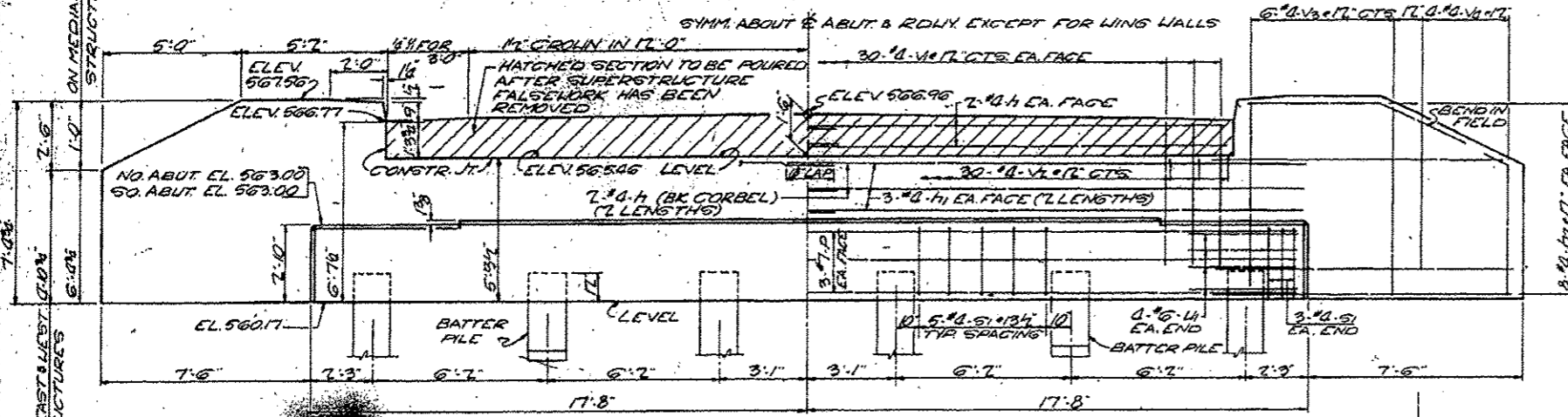
BRIDGE SHEET NO. 5



PLAN OF ABUTMENTS EAST AND WEST STRUCTURES



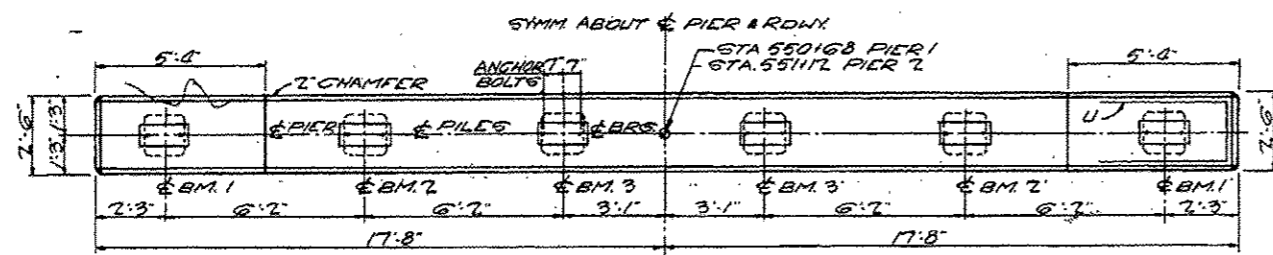
SECTION C-C
(SHOWING ABUT. CURB TREATMENT)



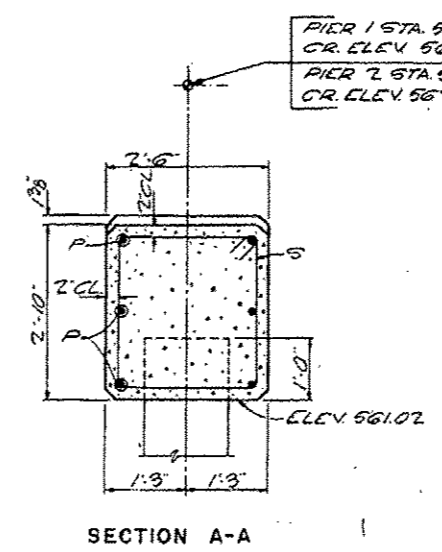
ELEVATION OF ABUTMENTS

PILE DATA: ABUTS. (2 STRUCTURES)
 TYPE: PRECAST CONCRETE 16"
 MIN. CAPACITY: 35 TONS
 EST. LENGTH: 35 FT
 NO. REQD: 12 (2 ABUTS. EAST STRUCTURE)
 11 (1 TEST PILE (2 ABUTS. WEST STRUCTURE))
 MIN. PENETRATION: TO ELEV. 5350

LOCATION OF TEST PILES
 WEST STRUCTURE - NORTH ABUTMENT
 EAST STRUCTURE - SOUTH PIER

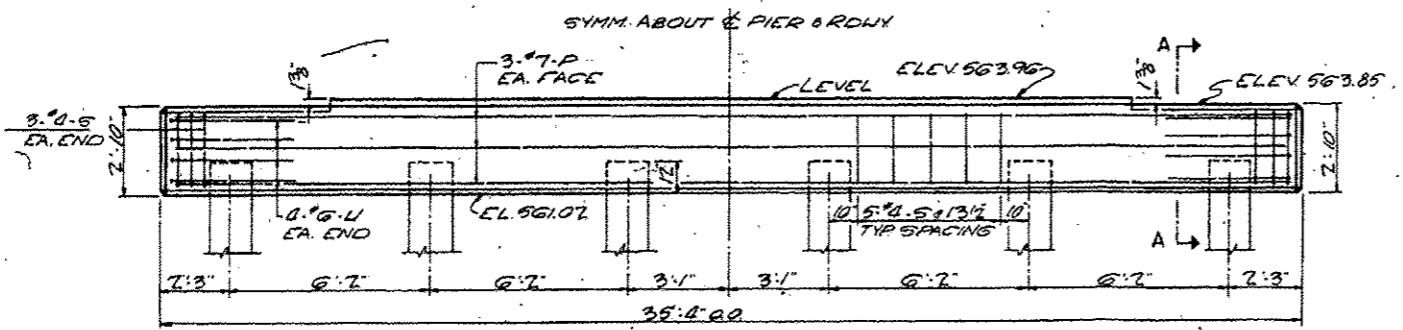


PLAN OF PIERS 1 & 2 EAST AND WEST STRUCTURES

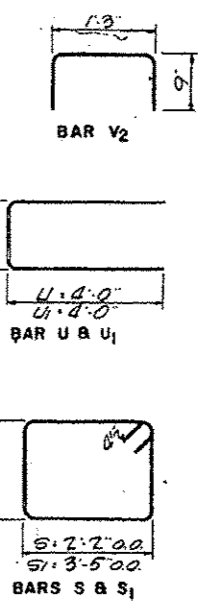


SECTION A-A

PILE DATA: (PIERS)
 TYPE: PRECAST CONCRETE 16"
 MIN. CAPACITY: 45 TONS
 EST. LENGTH: 45 FT
 NO. REQD: 11 (1 TEST PILE (2 PIERS EAST STRUCTURE))
 12 (2 PIERS WEST STRUCTURE)
 MIN. PENETRATION: TO ELEV. 5300



ELEVATION OF PIERS 1 & 2
 SCALE: 3/8" = 1'-0"



BILL OF MATERIAL ABUTS & PIERS EAST AND WEST STRUCTURES

BAR NO	SIZE	LENGTH	SHAPE
V1	200	12.0	□
V2	120	1.3	□
V3	96	1.0	□
V4	60	1.0	□
h	48	15.9	□
h1	48	17.6	□
h2	128	10.9	□
P	48	35.0	□
U	32	10.0	□
U1	32	11.3	□
S	120	10.1	□
S1	120	12.9	□

CLASS. CONCRETE CYLDS 120.0
 REINFORCEMENT BARS LBS 10740
 PRECAST CONC. PILES (5) LK 1800
 TEST PILES (PRECAST CONCRETE 16") EA. 2

NOTE: 22.1 CY EA. ABUT
 91 CY EA. PIER
 ABUTMENTS & PIERS E & W STRUCTURES
 F.A.S. RTE. 703 SEC. 132 B
 ROCK ISLAND COUNTY, ILL
 STA. 550190

FOR INFORMATION ONLY