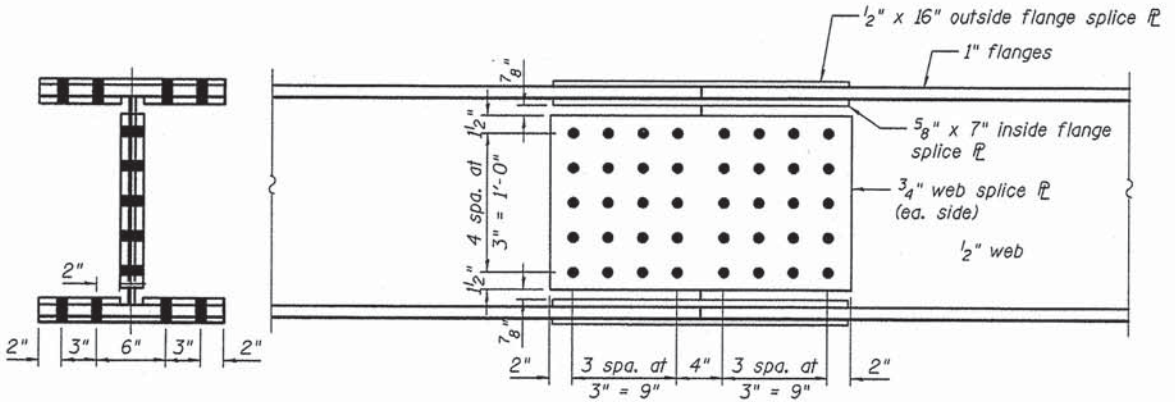
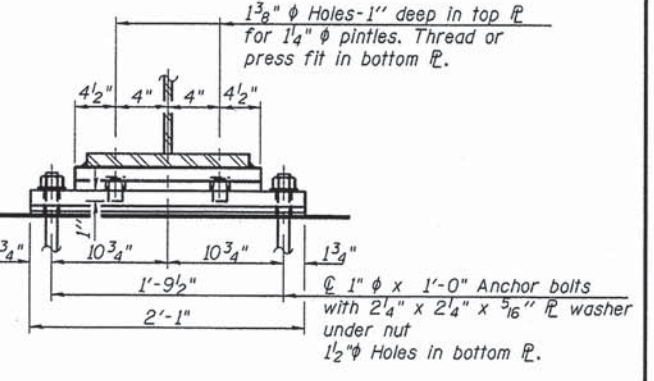
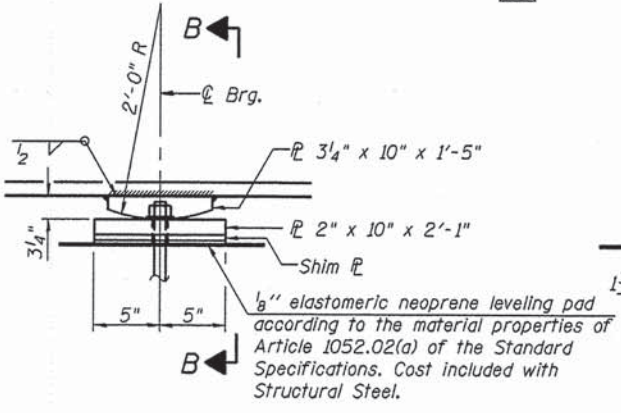
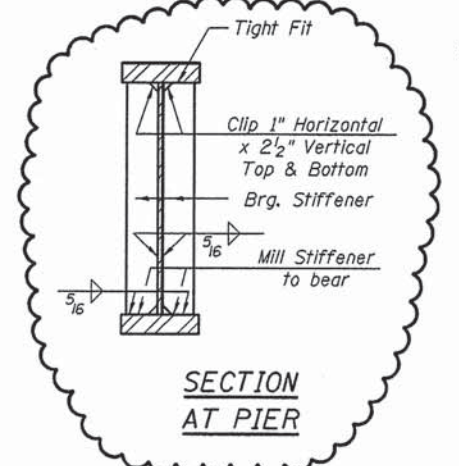


**GIRDER ELEVATION**  
All structural steel for plate girders and splice plate is AASHTO M270, Grade 50 (NTR)

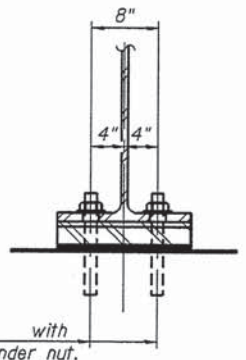
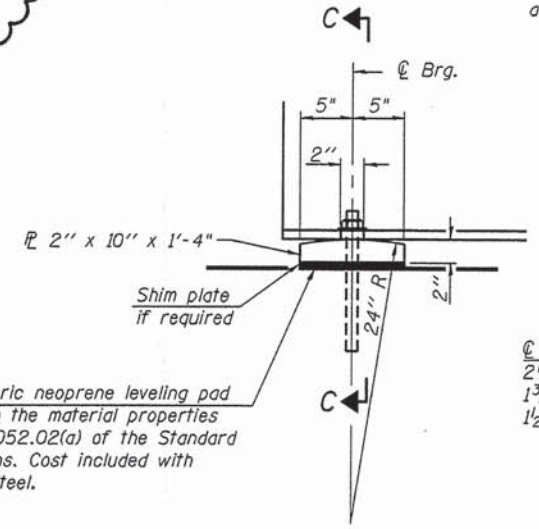


**FIELD SPLICE DETAIL**  
(14 Required)

**ELEVATION AT PIER**

**SECTION B-B**

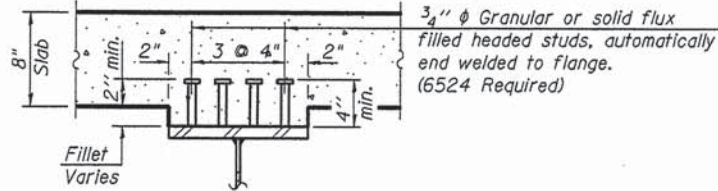
**FIXED BEARING**  
at Piers 1 and 2  
(14 Required)



**ELEVATION AT ABUTMENT**

**FIXED BEARING**  
at Abutments  
(14 Required)

**SECTION C-C**



**SECTION A-A**

**Notes:**  
Anchor bolts shall be ASTM F1554 all-thread (or an Engineer-approved alternate material) of the grade(s) and diameter(s) specified. The corresponding specified grade of AASHTO M314 anchor bolts may be used in lieu of ASTM F1554.  
Anchor bolts at fixed bearings may be either cast in place or installed in holes drilled after the supported member is in place.  
Drilled and set anchor bolts shall be installed according to Article 521.06 of the Standard Specifications.  
Two 1/8" in adjusting shims shall be provided for each bearing in addition to all other plates or shims and placed as shown on bearing details.  
Load carrying components designated "NTR" shall conform to the Impact Testing Requirements, Zone 2.

**BILL OF MATERIAL**

Item	Unit	Quantity
Furnishing & Erecting Structural Steel	L. Sum	1
Stud Shear Connectors	Each	6,524
Anchor Bolts, 1"	Each	56

COMPANY NAME: HR GREEN  
PROJECT CONTACT: T. SCOTT CREECH, P.E.  
CLIENT: VILLAGE OF HINDSDALE  
DATE PLOTTED: 2/20/2015 9:10:00 AM  
FILE NAME: 022.SR.SL.GIR.ELEV.dwg  
PLOT DRIVER: pdrcat  
PLOT TABLE: standard-trans.tbl



USER NAME = whood	DESIGNED - JMW	REVISED - 2/20/15
PLOT SCALE =	CHECKED - RDG	REVISED -
PLOT DATE = 2/20/2015	DRAWN - WJH	REVISED -
	CHECKED - 2/20/15	REVISED -

STATE OF ILLINOIS  
DEPARTMENT OF TRANSPORTATION

STEEL GIRDER ELEVATION AND DETAILS  
STRUCTURE NO. 022-6404  
SHEET NO. SB-18 OF SB-29 SHEETS

F.A.U. RTE.	SECTION	COUNTY	TOTAL SHEETS	SHEET NO.
2999	10-00089-00-BR	DUPAGE	157	109
				CONTRACT NO. 61811
ILLINOIS FED. AID PROJECT BRM-9003(699)				