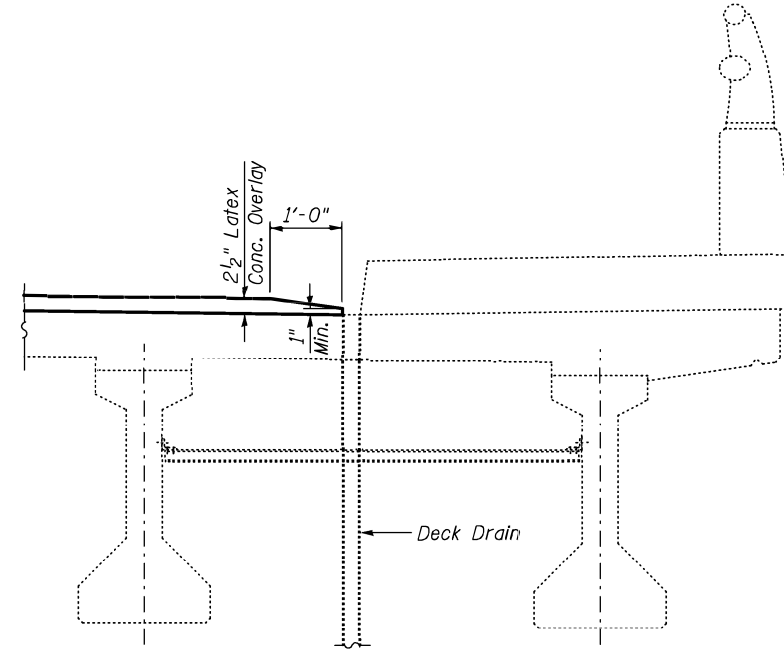


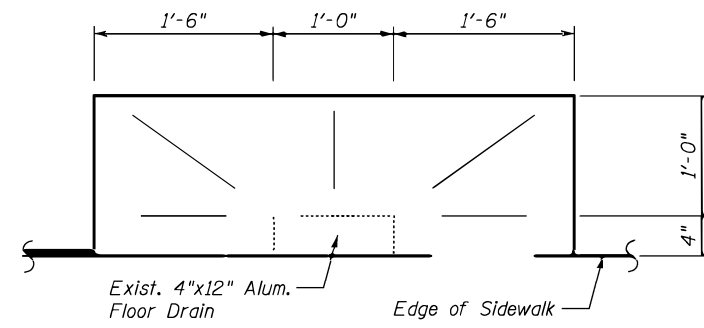
BILL OF MATERIAL			
SYMBOL	ITEM	UNIT	QUANTITY
	* Deck Slab Repair (Partial Depth)	Sq. Yd.	3 *
	Approach Slab Repair (Partial Depth)	Sq. Yd.	6
	Deck Slab Repair (Full Depth)	Sq. Yd.	26
	Bridge Deck Grooving	Sq. Yd.	728
	Bridge Deck Latex Conc. Overlay, 2 1/2"	Sq. Yd.	777
	Bridge Deck Scarification, 3/4"	Sq. Yd.	777
	Protective Coat	Sq. Yd.	785
	Polymer Concrete	Cu. Ft.	5.4
	Bituminous Materials (Prime Coat)	Pound	215
	Hot-Mix Asphalt Surface Course, Mix "D", N70	Ton	41
	Debris Removal	Cu. Yd.	60

* For information only to assist the Contractor in bidding. See Special Provision for "Bridge Deck Latex Overlay."

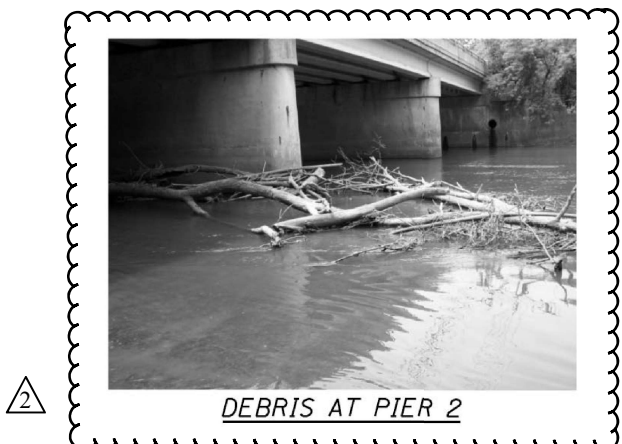
Notes:
 Deck and approach slab repair areas are estimated based on visual inspection. Actual repair areas and locations shall be determined by the Engineer and shown on As-built plans.
 Bridge Deck Scarification, 3/4" and Bridge Deck Latex Concrete Overlay, 2 1/2", shall be performed over the limits of the bridge deck, excluding the transverse joint reconstruction areas.
 Bridge Deck Grooving shall be performed over the limits of the bridge deck.
 Contractor is responsible for maintaining and supporting existing deck drains during construction. Cost shall be included in Deck Slab Repair (Full Depth).
 The contractor is responsible for support, protection, and re-setting existing deck drains as required during deck slab repairs.



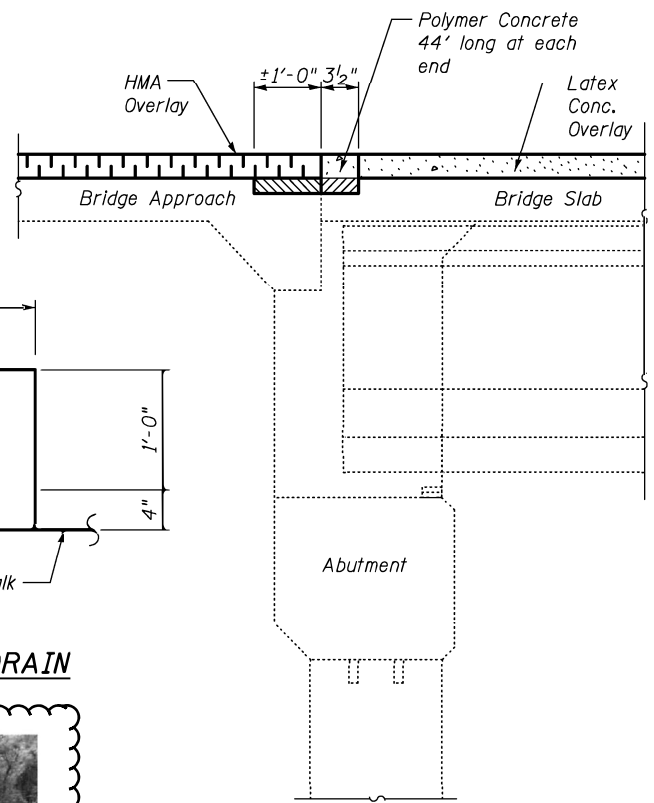
CONCRETE OVERLAY AT DECK DRAIN



PLAN-DETAIL OF CONCRETE OVERLAY AT DECK DRAIN



DEBRIS AT PIER 2



SECTION A-A

Notes:
 When the polymer concrete nosing is to be installed adjacent to a deck overlay, the nosing shall be installed after the overlay is placed.
 Polymer Concrete must be placed in direct contact with the concrete deck. Removal of all HMA or other material that may be adhered to the Polymer Concrete contact areas is required. The cost for this work shall be included in the pay item for Polymer Concrete.

DESIGNED - CCC	EXAMINED - <i>Timothy A. Daulton</i>	DATE - January 30, 2020
CHECKED - ATH	PASSED - <i>Carl Pinner</i>	REVISER -
DRAWN - Venkat Reddy	ENGINEER OF BRIDGES AND STRUCTURES	REVISER -
CHECKED - CCC ATH		

STATE OF ILLINOIS
 DEPARTMENT OF TRANSPORTATION

DECK REPAIR PLAN
 SN 016 - 0551

SHEET NO. 4 OF 11 SHEETS

F.A. RTE.	SECTION	COUNTY	TOTAL SHEETS	SHEET NO.
1300	1346 - BR (11)	COOK	21	10
CONTRACT NO. 60R72				
ILLINOIS FED. AID PROJECT				

REV. 2-26-2020