

SUMMARY OF QUANTITIES

80% FED
20% STATE

CODE NAME	ITEM	UNIT	TOTAL QUANTITY	URBAN	
				BRIDGE	ROADWAY
				0047	0047
				071-0040	
42400200	PORTLAND CEMENT CONCRETE SIDEWALK, 5"	SQ FT	1,222.1		1,222.1
42400800	DETECTABLE WARNING	SQ FT	160		160
44000500	COMBINATION CURB AND GUTTER REMOVAL	FOOT	545.4	100	445.4
44000600	SIDEWALK REMOVAL	SQ FT	570.9		570.9
50102400	CONCRETE REMOVAL	CU YD	19.8	19.8	
50157300	PROTECTIVE SHIELD	SQ YD	277.0	277.0	
50300255	CONCRETE SUPERSTRUCTURE	CU YD	19.8	19.8	
50300300	PROTECTIVE COAT	SQ YD	3,338.0	3,338.0	
50800205	REINFORCEMENT BARS, EPOXY COATED	POUND	3039	3039	
50800515	BAR SPLICERS	EACH	96	96	
52000110	PREFORMED JOINT STRIP SEAL	FOOT	160	160	
60260100	INLET TO BE ADJUSTED	EACH	3		3
60605000	COMBINATION CURB AND GUTTER, TYPE B-6.24	FOOT	148.7		148.7
60610400	COMBINATION CURB AND GUTTER, TYPE M-6.24	FOOT	450		450
60618200	HMA MEDIAN	SQ FT	2569.8		2569.8
60618300	CONCRETE MEDIAN SURFACE 4"	SQ FT	2,079.4		2,079.4
60618320	CONCRETE MEDIAN SURFACE, 6"	SQ FT	1259.1		1259.1
67100100	MOBILIZATION	L SUM	1		1
70100405	TRAFFIC CONTROL AND PROTECTION, STANDARD 701321	EACH	1		1
70100450	TRAFFIC CONTROL AND PROTECTION, STANDARD 701201	L SUM	1		1
70100460	TRAFFIC CONTROL AND PROTECTION, STANDARD 701306	L SUM	1		1
70106500	TEMPORARY BRIDGE TRAFFIC SIGNALS	EACH	1		1
70107025	CHANGEABLE MESSAGE SIGN	CAL DA	240		240
70300520	PAVEMENT MARKING TAPE, TYPE III 4"	FOOT	4,750		4,750

FILE NAME = G:\Shared drives\Projects\2015-0802 IDZ ID01\1\8 Work Order 18\CADD\SHEETS\0264M78-SHT-5001.dgn

AEG ATLAS ENGINEERING GROUP LTD.
3100 Dundas Road, Suite 502 | Northbrook, IL 60062
847.753.8020 (office) | 847.753.8023 (fax)

USER NAME = spotel
DESIGNED - SHP/MS
CHECKED - MJL
DRAWN - SHP/MS
PLOT DATE = 12/23/2019
CHECKED - MJL

REVISED
REVISED
REVISED
REVISED

STATE OF ILLINOIS
DEPARTMENT OF TRANSPORTATION

SUMMARY OF QUANTITIES

SHEET NO. 1 OF 2 SHEETS

F.A.P. RTE.	SECTION	COUNTY	TOTAL SHEETS	SHEET NO.
553	119R & 119BR-1	OGLE	29	2
CONTRACT NO. 64N31			ILLINOIS FED. AID PROJECT	

REV. 2/27/20 REV. 2/21/20 REV. 1/13/20

70300560	PAVEMENT MARKING TAPE, TYPE III 12"	FOOT	200		200
70400100	TEMPORARY CONCRETE BARRIER	FOOT	900		900
70400200	RELOCATION TEMPORARY CONCRETE BARRIER	FOOT	900		900
70600240	IMPACT ATTENUATORS, TEMPORARY (NON-REDIRECTIVE, NARROW), TEST LEVEL 2	EACH	2		2
70600340	IMPACT ATTENUATORS, RELOCATE (NON-REDIRECTIVE, NARROW), TEST LEVEL 2	EACH	2		2
* 78001110	PAINT PAVEMENT MARKING - LINE 4"	FOOT	6,520		6,520
* 78001150	PAINT PAVEMENT MARKING - LINE 12"	FOOT	200		200
X2700001	TEMPORARY RUMBLE STRIP, SPECIAL	EACH	2		2
X0327980	PAVEMENT MARKING REMOVAL - WATER BLASTING	SQ FT	1,900		1,900
X4402805	ISLAND REMOVAL	SQ FT	3,845.7		3,845.7
X4403300	CONCRETE MEDIAN REMOVAL	SQ FT	1102.7		1102.7
X4403700	MEDIAN REMOVAL (SPCL)	SQ FT	2690.7		2690.7
X5030250	BRIDGE DECK GROOVING (LONGITUDINAL)	SQ YD	2673.0	2673.0	
X7030005	TEMPORARY PAVEMENT MARKING REMOVAL	SQ FT	4,950		4,950
X1400366	TEMPORARY TRAFFIC SIGNAL INSTALLATION (SPECIAL)	EACH	1		1
Z0012164	BRIDGE DECK MICROSILICA CONCRETE OVERLAY 2 1/2"	SQ YD	2,863.0	2,863.0	
Z0012130	BRIDGE DECK SCARIFICATION, 3/4"	SQ YD	2,495	2,495	
Z0012144	BRIDGE DECK SCARIFICATION, 2 1/2"	SQ YD	368	368	
Z0012754	STRUCTURAL REPAIR OF CONCRETE (DEPTH EQUAL TO OR LESS THAN 5 INCHES)	SQ FT	587.0	587.0	
Z0016001	DECK SLAB REPAIR (FULL DEPTH, TYPE I)	SQ YD	99.8	99.8	
Z0021904	SILICONE JOINT SEALER, 1"	FOOT	66.0	66.0	
Z0029090	DIAMOND GRINDING (BRIDGE SECTION)	SQ YD	2863.0	2,863.0	
Z0041895	POLYMER CONCRETE	CU FT	7.3	7.3	

*= SPECIALTY ITEM

FILE NAME = G:\Shared drives\Projects\2015-0802 IDZ ID01\1\18 Work Order 18\CADD\SHEETS\0264178-SHT-5002.dgn

AEG ATLAS ENGINEERING GROUP, LTD.
 3100 Dundee Road, Suite 502 | Northbrook, IL 60062
 847.753.8020 (office) | 847.753.8023 (fax)

USER NAME = spotel	DESIGNED - SHP/MS	REVISIONS
	CHECKED - MJL	REVISIONS
PLOT SCALE =	DRAWN - SHP/MS	REVISIONS
PLOT DATE = 12/23/2019	CHECKED - MJL	REVISIONS

DESIGNED - SHP/MS	REVISIONS
CHECKED - MJL	REVISIONS
DRAWN - SHP/MS	REVISIONS
CHECKED - MJL	REVISIONS

**STATE OF ILLINOIS
DEPARTMENT OF TRANSPORTATION**

SUMMARY OF QUANTITIES	
SHEET NO. 2 OF 2 SHEETS	

F.A.P. RTE.	SECTION	COUNTY	TOTAL SHEETS	SHEET NO.
553	119R & 119BR-1	OGLE	29	3
ILLINOIS FED. AID PROJECT			CONTRACT NO. 64N31	

CONSTRUCTION STAGING GENERAL NOTES

- ALL SIGNING MUST BE IN ACCORDANCE WITH THE APPLICABLE PROVISIONS OF THE STATE OF ILLINOIS "STANDARD SPECIFICATIONS FOR ROAD AND BRIDGE CONSTRUCTION" ADOPTED APRIL 1, 2016, THE DETAILS IN THESE PLANS, THE LATEST EDITION OF THE IDOT BUREAU OF DESIGN AND ENVIRONMENT HIGHWAY STANDARDS AND THE LATEST EDITION OF THE "MANUAL ON UNIFORM TRAFFIC CONTROL DEVICES".
- STATION OFFSETS AND DIMENSIONS OF TRAFFIC CONTROL MEASURES SHOWN ON THESE PLANS MAY BE ADJUSTED TO FIT FIELD CONDITIONS AS DIRECTED BY THE ENGINEER.
- THE CONTRACTOR MUST BE RESPONSIBLE FOR ENSURING THAT ALL BARRICADES, SIGNS, LIGHTS AND OTHER DEVICES INSTALLED ARE IN PLACE AND OPERATING 24 HOURS EACH DAY INCLUDING SUNDAYS AND HOLIDAYS DURING THE TIME THIS CONSTRUCTION IS IN EFFECT.
- ALL EXISTING SIGNING THAT IS NOT APPLICABLE WHILE CONSTRUCTION IS IN EFFECT MUST BE COMPLETELY COVERED OR REMOVED BY THE CONTRACTOR.
- THE SIZES OF ALL SIGNS NOT SPECIFIED IN THESE PLANS MUST BE AS REQUIRED BY THE ILLINOIS MANUAL ON UNIFORM TRAFFIC CONTROL DEVICES.
- AS A MINIMUM, ALL AMBER FLASHING LIGHTS MUST MEET THE REQUIREMENTS FOR TYPE A - LOW INTENSITY FLASHING LIGHTS IN ARTICLE 702.04 OF THE STANDARD SPECIFICATIONS. ALL LIGHTS SHALL OPERATE DURING HOURS OF DARKNESS. ONLY LIGHTS THAT HAVE BEEN APPROVED BY THE ILLINOIS DEPARTMENT OF TRANSPORTATION SHALL BE USED.
- SEE SUGGESTED MAINTENANCE OF TRAFFIC PLAN FOR ADDITIONAL SIGNING.
- CHANGEABLE MESSAGE SIGNS SHALL BE PROVIDED AS DIRECTED BY THE ENGINEER. A QUANTITY HAS BEEN PROVIDED FOR THIS PURPOSE.
- EMERGENCY VEHICLES MUST HAVE ACCESS TO THE AREA AT ALL TIMES.
- THE CONTRACTOR MUST NOTIFY THE IDOT BUREAU OF TRAFFIC AS REQUIRED 72 HOURS IN ADVANCE OF BEGINNING WORK AT (815) 284-5474.
- SIGN SPACING SHALL BE PER IDOT STANDARD 701321. DEVIATIONS NEEDED TO ADJUST TO SITE CONDITIONS (FOR EXAMPLE, TO AVOID BLOCKING DRIVEWAYS) MUST BE APPROVED BY THE ENGINEER.
- ALL LANES SHALL BE OPEN TO TRAFFIC FROM MARCH 9TH THROUGH MARCH 30TH AND OCTOBER 5TH THROUGH OCTOBER 23RD IN 2020.

SEQUENCE OF CONSTRUCTION

PRE-STAGE

TRAFFIC

- TRAFFIC WILL REMAIN AS EXISTING WITH NO MODIFICATIONS TO EXISTING TRAFFIC PATTERN.

CONSTRUCTION

- INSTALL TEMPORARY TRAFFIC SIGNALS.
- PLACE TEMPORARY PAVEMENT MARKING ALONG ALL ROUTES.

STAGE 1

TRAFFIC

- SHIFT TRAFFIC TO THE EAST AND REDUCE TO A SINGLE 11-FOOT LANE WITH TWO-WAY OPERATIONS.
- CLOSE INTERSECTIONS OF DIAMOND STREET AND MERCHANT STREET WITH IL 72.

CONSTRUCTION

- REHABILITATION OF SOUTHBOUND TRAVEL LANE OF THE BRIDGE.

STAGE 2

TRAFFIC

- SHIFT TRAFFIC TO THE WEST AND MAINTAIN ONE-LANE TWO-WAY OPERATIONS.
- DIAMOND STREET AND MERCHANT STREET INTERSECTIONS TO REMAIN CLOSED.

CONSTRUCTION

- REHABILITATION OF THE NORTHBOUND TRAVEL LANE OF THE BRIDGE.
- REMOVE CONCRETE BARRIER ON SOUTH SIDE OF BRIDGE.

STAGE 3

TRAFFIC

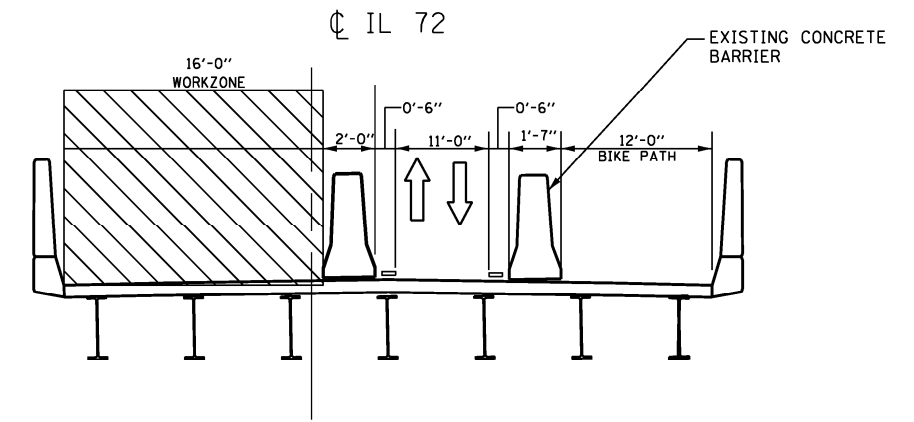
- TRAFFIC TO REMAIN AS IN STAGE 2.
- SHIFT BIKE/PED TRAFFIC WEST TO THE PORTIONS OF THE DECK REHABILITATED IN STAGE 2.

CONSTRUCTION

- REPLACEMENT OF BRIDGE JOINTS WITHIN EXISTING BIKE/PED PATH.
- REPLACEMENT OF BARRIER WALL ON SOUTH SIDE OF THE BRIDGE.

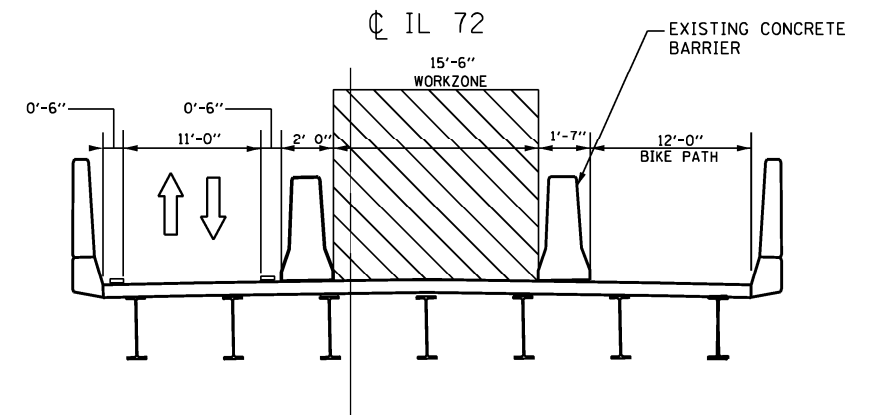
TOTAL MAINTENANCE OF TRAFFIC - SUMMARY OF QUANTITIES

PAY ITEM	DESCRIPTION	UNIT	QUANTITY
70100405	TRAFFIC CONTROL AND PROTECTION, STANDARD 701321	EACH	1
70100450	TRAFFIC CONTROL AND PROTECTION, STANDARD 701201	EACH	1
70100460	TRAFFIC CONTROL AND PROTECTION, STANDARD 701306	EACH	1
X8900008	TEMPORARY TRAFFIC SIGNAL INSTALLATION (SPECIAL)	EACH	1
70300520	PAVEMENT MARKING TAPE, TYPE III 4"	FOOT	4750
70300560	PAVEMENT MARKING TAPE, TYPE III 12"	FOOT	200
70400100	TEMPORARY CONCRETE BARRIER	FOOT	900
70400200	RELOCATE TEMPORARY CONCRETE BARRIER	FOOT	900
70600240	IMPACT ATTENUATORS, TEMPORARY (NON- REDIRECTIVE, NARROW), TEST LEVEL 2	EACH	2
70600340	IMPACT ATTENUATORS, RELOCATE (NON- REDIRECTIVE, NARROW), TEST LEVEL 2	EACH	2
78001110	TEMPORARY PAVEMENT MARKING - LINE 4"	FOOT	6520
78001150	TEMPORARY PAVEMENT MARKING - LINE 12"	FOOT	200
X0327980	PAVEMENT MARKING REMOVAL - WATER BLASTING	SQ. FT.	1900
X7030005	TEMPORARY PAVEMENT MARKING REMOVAL	SQ. FT.	4950
70107025	CHANGEABLE MESSAGE SIGN	CAL DA	240
X2700001	TEMPORARY RUMBLE STRIPS, SPECIAL	EACH	2



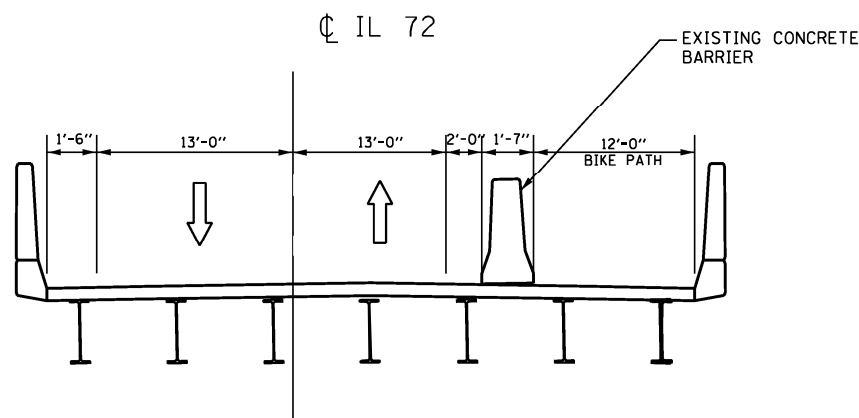
STAGE 1 CONSTRUCTION

STA. 8+35 TO STA. 15+46



STAGE 2 CONSTRUCTION

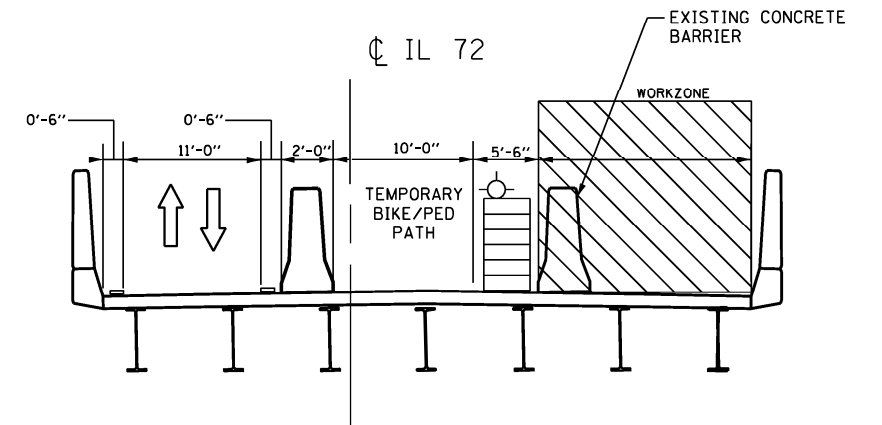
STA. 8+35 TO STA. 15+46



STRUCTURE NO. 071-0040 OVER ROCK RIVER (LOOKING NORTH)

EXISTING TYPICAL SECTION

STA. 8+35 TO STA. 15+46



STAGE 3 CONSTRUCTION

STA. 8+35 TO STA. 15+46

MODEL: 640DENAMES
FILE NAME: 64N31.DWG



USER NAME = \$USER\$	DESIGNED -	REVISED -
PLOT SCALE = \$SCALE\$	DRAWN -	REVISED -
PLOT DATE = \$DATE\$	CHECKED -	REVISED -
	DATE -	REVISED -

**STATE OF ILLINOIS
DEPARTMENT OF TRANSPORTATION**

GENERAL NOTES

SCALE: SHEET 1 OF 1 SHEETS STA. TO STA.

F.A. RTE.	SECTION	COUNTY	TOTAL SHEETS	SHEET NO.
553	119R & 119BR-1	OGLE	29	5
CONTRACT NO. 64N31				
ILLINOIS FED. AID PROJECT				