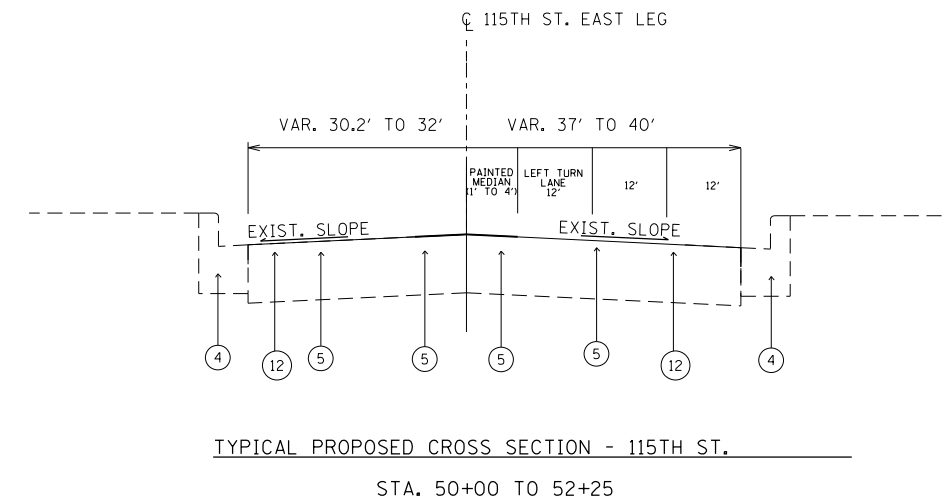
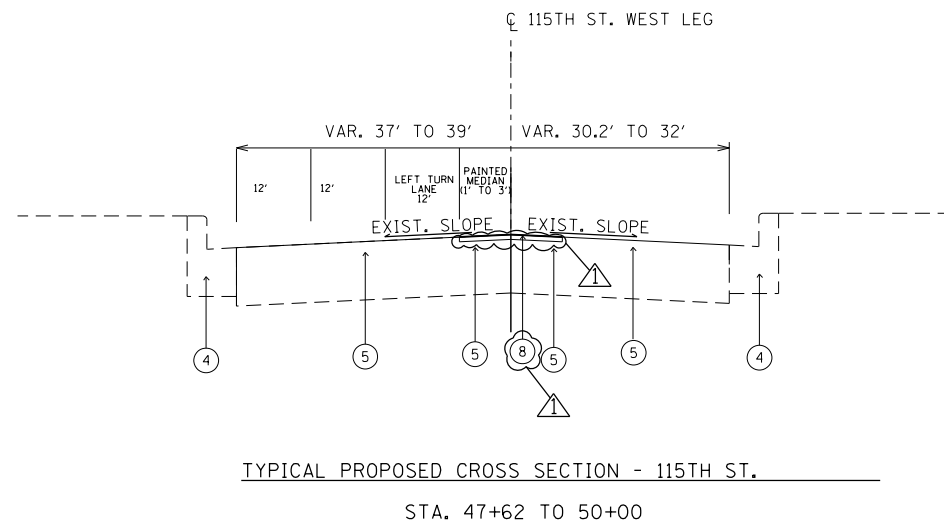
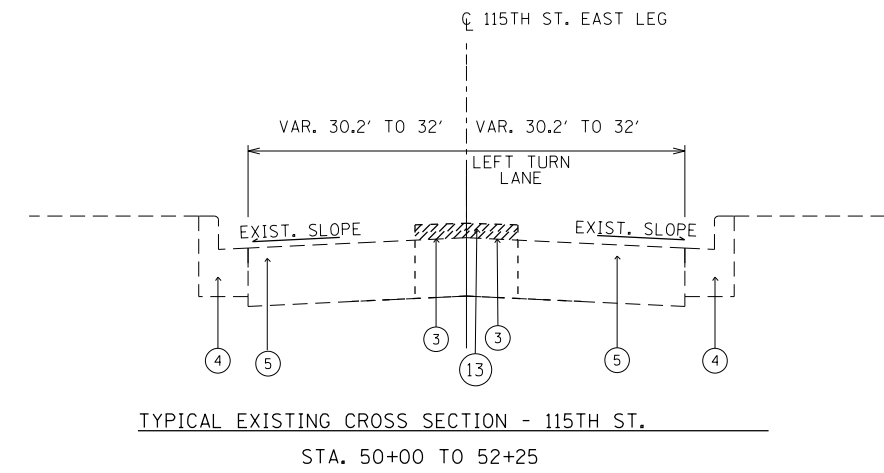
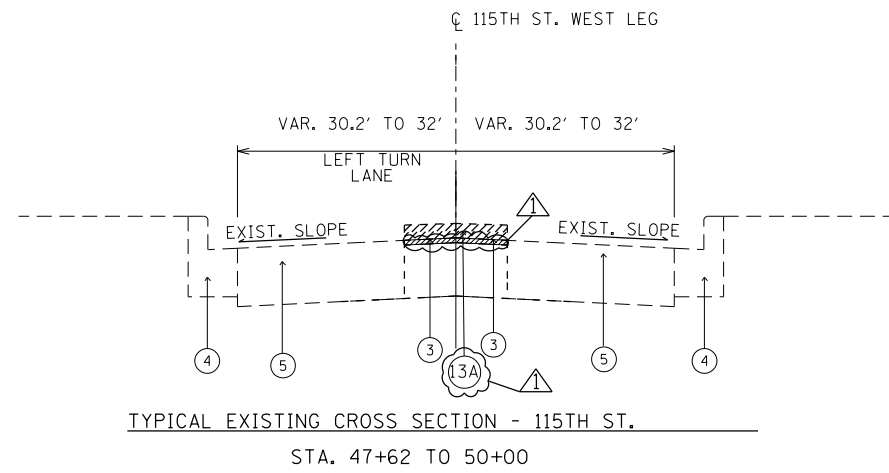


SUMMARY OF QUANTITIES			TOTAL QUANTITIES	CONSTRUCTION TYPE CODE					
CODE NO	ITEM	UNIT		90% FED 10% STATE ROADWAY 115TH ST 0005	100% STATE 0005	90% FED 10% STATE TRAFFIC SIGNALS 115TH ST 0021	100% VILLAGE OF AL SIP 115TH ST EVP 0021	80% FED 20% STATE TRAFFIC SIGNALS 122ND ST 0021	90% FED 10% STATE INTERCONNECT SIGNALS 0021
20200100	EARTH EXCAVATION	CU YD	63	63					
21101625	TOPSOIL FURNISH AND PLACE, 6"	SO YD	40	40					
25200100	SODDING	SO YD	40	40					
30300112	AGGREGATE SUBGRADE IMPROVEMENT 12"	SO YD	245	245					
35600724	HOT-MIX ASPHALT BASE COURSE WIDENING, 12"	SO YD	61	61					
40604062	HOT-MIX ASPHALT SURFACE COURSE, IL-9.5, MIX "D", N70	TON	16	16					
42001300	PROTECTIVE COAT	SO YD	100	100					
42400200	PORTLAND CEMENT CONCRETE SIDEWALK 5 INCH	SO FT	200	200					
42400800	DETECTABLE WARNINGS	SO FT	10	10					
44000300	CURB REMOVAL	FOOT	236	236					
44000600	SIDEWALK REMOVAL	SO FT	200	200					
44003100	MEDIAN REMOVAL	SO FT	554	554					
44003510	MEDIAN REMOVAL PARTIAL DEPTH	SO FT	1320	1320					
44200970	CLASS B PATCHES, TYPE II, 10 INCH	SO YD	88	88					
44200974	CLASS B PATCHES, TYPE III, 10 INCH	SO YD	35	35					
* SPECIALTY ITEMS									

SUMMARY OF QUANTITIES			TOTAL QUANTITIES	CONSTRUCTION TYPE CODE					
CODE NO	ITEM	UNIT		90% FED 10% STATE ROADWAY 115TH ST 0005	100% STATE 0005	90% FED 10% STATE TRAFFIC SIGNALS 115TH ST 0021	100% VILLAGE OF AL SIP 115TH ST EVP 0021	80% FED 20% STATE TRAFFIC SIGNALS 122ND ST 0021	90% FED 10% STATE INTERCONNECT SIGNALS 0021
44200976	CLASS B PATCHES, TYPE IV, 10 INCH	SO YD	53	53					
44201299	DOWEL BARS 1 1/2"	EACH	224	224					
44201815	CLASS D PATCHES, TYPE II, 14 INCH	SO YD	279	279					
44201819	CLASS D PATCHES, TYPE III, 14 INCH	SO YD	112	112					
44201821	CLASS D PATCHES, TYPE IV, 14 INCH	SO YD	167	167					
44213200	SAW CUTS	FOOT	830	830					
60254340	CATCH BASINS TO BE RECONSTRUCTED WITH NEW TYPE 24 FRAME AND GRATE	EACH	5	5					
60300305	FRAMES AND LIDS TO BE ADJUSTED	EACH	2	2					
* 66900200	NON-SPECIAL WASTE DISPOSAL	CU YD	31	31					
* 66900530	SOIL DISPOSAL ANALYSIS	EACH	1	1					
* 66901001	REGULATED SUBSTANCES PRE-CONSTRUCTION PLAN	LSUM	1	1					
* 66901003	REGULATED SUBSTANCES FINAL CONSTRUCTION REPORT	LSUM	1	1					
* 66901006	REGULATED SUBSTANCES MONITORING	CAL DA	10	10					

SUMMARY OF QUANTITIES				CONSTRUCTION TYPE CODE					
CODE NO	ITEM	UNIT	TOTAL QUANTITIES	90% FED 10% STATE ROADWAY 115TH ST 0005	100% STATE 0005	90% FED 10% STATE TRAFFIC SIGNALS 115TH ST 0021	100% VILLAGE OF ALSIP 115TH ST EVP 0021	80% FED 20% STATE TRAFFIC SIGNALS 122ND ST 0021	90% FED 10% STATE INTERCONNECT SIGNALS 0021
* 89502382	REMOVE EXISTING DOUBLE HANDHOLE	EACH	1			1			
* 89502385	REMOVE EXISTING CONCRETE FOUNDATION	EACH	12			10		2	
X0320050	CONSTRUCTION LAYOUT (SPECIAL)	L SUM	1	1					
* X0324085	EMERGENCY VEHICLE PRIORITY SYSTEM LINE SENSOR CABLE, NO. 20 3/C	FOOT	337				337		
* X0324599	ROD AND CLEAN EXISTING CONDUIT	FOOT	550					150	400
X0326862	STRUCTURES TO BE ADJUSTED	EACH	7	7					
X0327980	PAVEMENT MARKING REMOVAL - WATER BLASTING	SQ FT	2474	2474					
* X1400081	FULL-ACTUATED CONTROLLER AND TYPE SUPER P CABINET (SPECIAL)	EACH	1			1			
* X1400150	SERVICE INSTALLATION, GROUND MOUNTED, METERED	EACH	1			1			
* X1400201	RADAR VEHICLE DETECTION SYSTEM, SINGLE APPROACH, STOP BAR	EACH	2			2			
X4240800	DETECTABLE WARNINGS (SPECIAL)	SQ FT	10	10					
X5537800	STORM SEWERS TO BE CLEANED 12"	FOOT	200		200				
X7030005	TEMPORARY PAVEMENT MARKING REMOVAL	SQ FT	1357	1357					
* SPECIALTY ITEMS									

SUMMARY OF QUANTITIES				CONSTRUCTION TYPE CODE					
CODE NO	ITEM	UNIT	TOTAL QUANTITIES	90% FED 10% STATE ROADWAY 115TH ST 0005	100% STATE 0005	90% FED 10% STATE TRAFFIC SIGNALS 115TH ST 0021	100% VILLAGE OF ALSIP 115TH ST EVP 0021	80% FED 20% STATE TRAFFIC SIGNALS 122ND ST 0021	90% FED 10% STATE INTERCONNECT SIGNALS 0021
* X8620200	UNINTERRUPTABLE POWER SUPPLY, SPECIAL	EACH	1			1			
* X8710024	FIBER OPTIC CABLE IN CONDUIT, NO. 62.5/125, MM12F SM24F	FOOT	1277						1277
Z0004562	COMBINATION CONCRETE CURB AND GUTTER REMOVAL AND REPLACEMENT	FOOT	350	350					
Z0018500	DRAINAGE STRUCTURES TO BE CLEANED	EACH	20		20				
Z0018600	DRAINAGE STRUCTURES TO BE RECONSTRUCTED	EACH	5	5					
Z0030850	TEMPORARY INFORMATION SIGNING	SQ FT	52	52					
* Z0033046	RE-OPTIMIZE TRAFFIC SIGNAL SYSTEM LEVEL 2	EACH	1					1	
* Z0073510	TEMPORARY TRAFFIC SIGNAL TIMING	EACH	1			1			



LEGEND

- ① EXISTING HOT-MIX ASPHALT SURFACE, 4''(±)
- ② EXISTING CONCRETE BASE COURSE, 10''(±)
- ③ EXISTING CORRUGATED CONCRETE MEDIAN
- ④ EXISTING COMBINATION CONCRETE CURB & GUTTER B-6.24
- ⑤ EXISTING PORTLAND CEMENT CONCRETE PAVEMENT, 10''
- ⑥ PROPOSED CURB REMOVAL
- ⑦ PROPOSED MEDIAN REMOVAL
- ⑧ PROPOSED HOT-MIX ASPHALT SURFACE COURSE, MIX "D", IL-9.5, N70 - 2''
- ⑨ PROPOSED HMA BASE COURSE, WIDENING - 12''
- ⑩ PROPOSED AGGREGATE SUBGRADE IMPROVEMENT, 12''
- ⑪ PROPOSED CLASS D PATCH (LOCATIONS TO BE DETERMINED BY THE RESIDENT ENGINEER)
- ⑫ PROPOSED CLASS B PATCH (LOCATIONS TO BE DETERMINED BY THE RESIDENT ENGINEER)
- ⑬ PROPOSED MEDIAN REMOVAL PARTIAL DEPTH (GRIND FLUSH WITH EXISTING LANE)
- ⑬A PROPOSED MEDIAN REMOVAL PARTIAL DEPTH (GRIND TO 2'' BELOW EXISTING GRADE)

MODEL: Default
 FILE: h:\mhc_p\pub\haronom.dwg
 PROJECT: I:\Projects\123618\CADD\123618-115th\123618-115th.dwg
 OFFICE: I:\Projects\123618\CADD\123618-115th\123618-115th.dwg

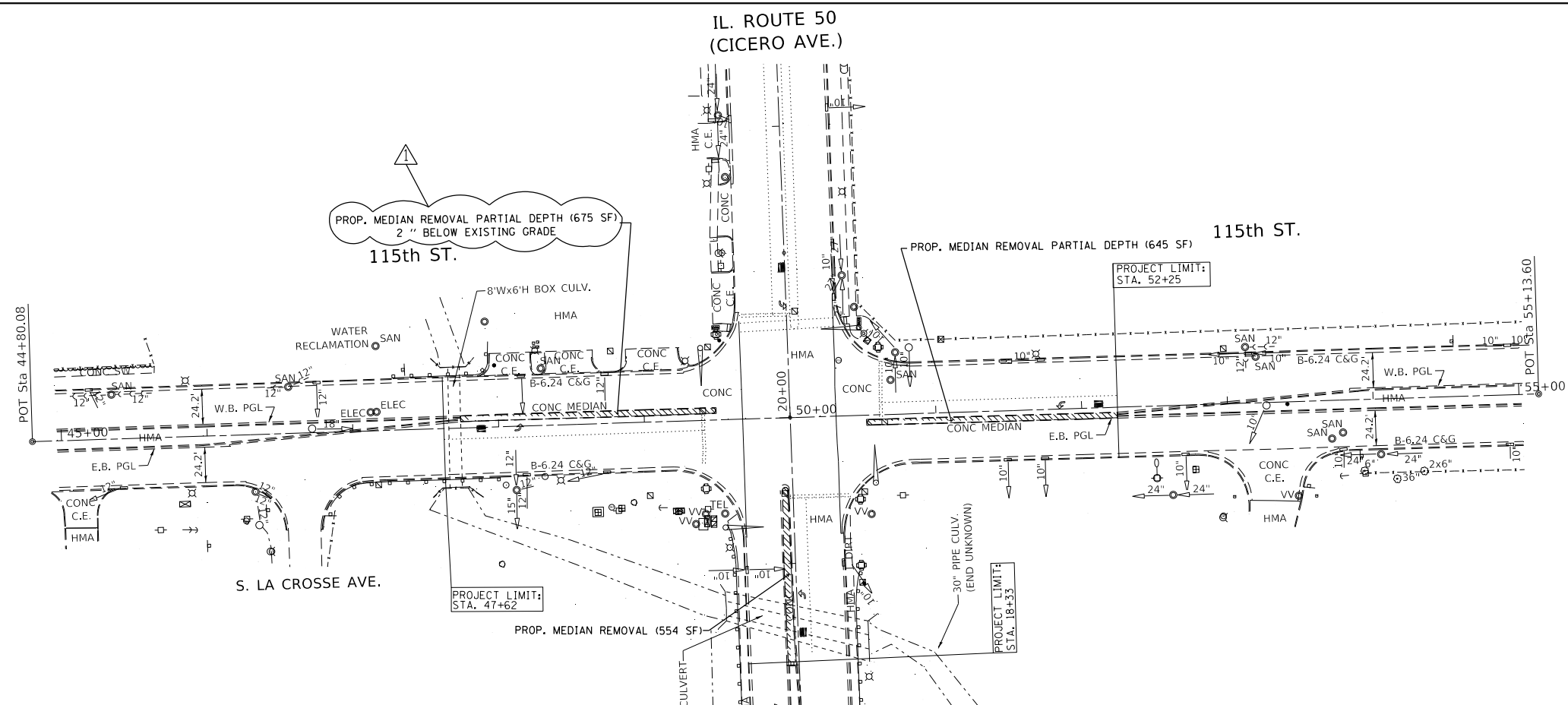
USER NAME = va@adolliv	DESIGNED -	REVISED -	△ VV 02/24/2020
	DRAWN -	REVISED -	
PLOT SCALE = 100.0000' / in.	CHECKED -	REVISED -	
PLOT DATE = 2/24/2020	DATE -	REVISED -	

**STATE OF ILLINOIS
DEPARTMENT OF TRANSPORTATION**

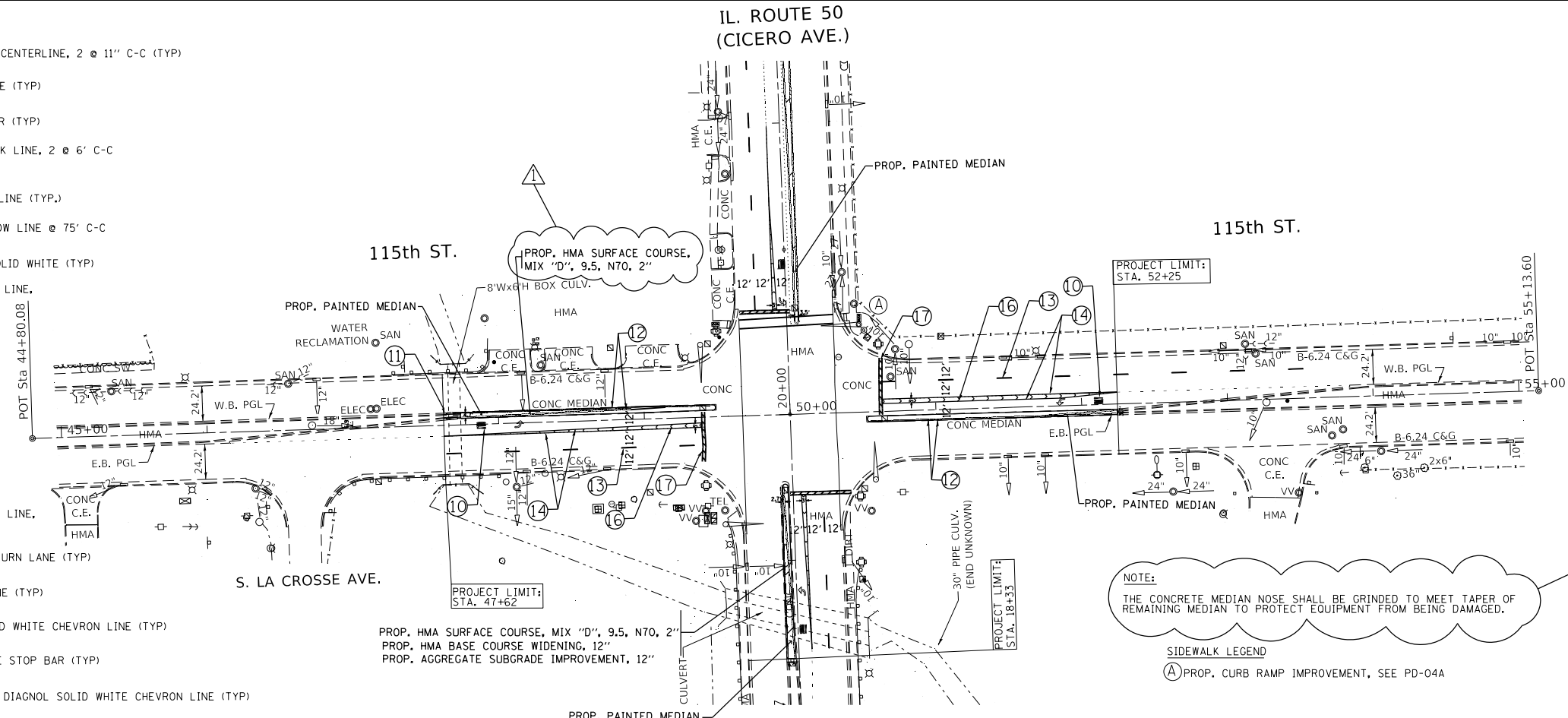
**IL. ROUTE 50 (CICERO AVE.) AT 115TH ST.
TYPICAL SECTIONS**

SCALE: SHEET OF SHEETS STA. TO STA.

F.A.P. RTE.	SECTION	COUNTY	TOTAL SHEETS	SHEET NO.
035	3068-N	COOK	42	9
CONTRACT NO. 62G01				
ILLINOIS FED. AID PROJECT				



- PAVEMENT MARKING LEGEND**
- ① THERMOPLASTIC PAVEMENT MARKING, 4" DOUBLE SOLID YELLOW CENTERLINE, 2 @ 11" C-C (TYP)
 - ② THERMOPLASTIC PAVEMENT MARKING, 6" SOLID WHITE TURN LANE (TYP)
 - ③ THERMOPLASTIC PAVEMENT MARKING, 24" SOLID WHITE STOP BAR (TYP)
 - ④ THERMOPLASTIC PAVEMENT MARKING, 6" SOLID WHITE CROSSWALK LINE, 2 @ 6' C-C (TYP UNLESS OTHERWISE SPECIFIED)
 - ⑤ THERMOPLASTIC PAVEMENT MARKING, 4" SINGLE SOLID YELLOW LINE (TYP.)
 - ⑥ THERMOPLASTIC PAVEMENT MARKING, 12" DIAGONAL SOLID YELLOW LINE @ 75' C-C (TYP.) UNLESS SPECIFIED OTHERWISE
 - ⑦ THERMOPLASTIC PAVEMENT MARKING, LETTERS AND SYMBOLS, SOLID WHITE (TYP)
 - ⑧ THERMOPLASTIC PAVEMENT MARKING, 4" SKIP DASH WHITE LANE LINE, 10' DASH - 30' SKIP (TYP.)
 - ⑨ THERMOPLASTIC PAVEMENT MARKING 6", WHITE - DOTTED LINE, 2' DASH - 6' SKIP (TYP)
 - ⑩ POLYUREA PAVEMENT MARKING TYPE 1 - LETTERS AND SYMBOLS
 - ⑪ POLYUREA PAVEMENT MARKING TYPE 1 - LINE 4" SINGLE SOLID YELLOW LINE (TYP)
 - ⑫ POLYUREA PAVEMENT MARKING TYPE 1, 4" SINGLE SOLID YELLOW CENTERLINE, 2 @ 11" C-C (TYP)
 - ⑬ POLYUREA PAVEMENT MARKING TYPE 1, 4" SKIP DASH WHITE LANE LINE, 10' DASH - 30' SKIP (TYP.)
 - ⑭ POLYUREA PAVEMENT MARKING TYPE 1 - LINE 6" SOLID WHITE TURN LANE (TYP)
 - ⑮ POLYUREA PAVEMENT MARKING TYPE 1 - 6", WHITE - DOTTED LINE (TYP)
 - ⑯ POLYUREA PAVEMENT MARKING TYPE 1 - LINE 12", DIAGONAL SOLID WHITE CHEVRON LINE (TYP)
 - ⑰ POLYUREA PAVEMENT MARKING TYPE 1 - LINE 24", SOLID WHITE STOP BAR (TYP)



⑰ POLYUREA PAVEMENT MARKING TYPE 1 - LINE 24", SOLID WHITE STOP BAR (TYP)

⑱ THERMOPLASTIC PAVEMENT MARKING, 12" DIAGONAL SOLID WHITE CHEVRON LINE (TYP)

USER NAME = va@aadoliv	DESIGNED -	REVISED - Δ VV 02/24/2020
PLOT SCALE = 100,0000 ' / in.	DRAWN -	REVISED -
PLOT DATE = 2/24/2020	CHECKED -	REVISED -
	DATE -	REVISED -

**STATE OF ILLINOIS
DEPARTMENT OF TRANSPORTATION**

**ROADWAY AND PAVEMENT MARKING PLAN
IL. ROUTE 50 (CICERO AVE.) AT 115TH ST**

SCALE: SHEET OF SHEETS STA. TO STA.

F.A.P. RTE.	SECTION	COUNTY	TOTAL SHEETS	SHEET NO.
350	3068-N	COOK	42	13
CONTRACT NO. 62G01				
ILLINOIS		FED. AID PROJECT		

MODEL: Default
FILE: \hrc\p\publ\barcom\af\illndk.gov\RWDOT\Documents\DOT_Offices\Illndk\1\Projects\123618\CD\Drawings\123618-sh-detailed.dgn