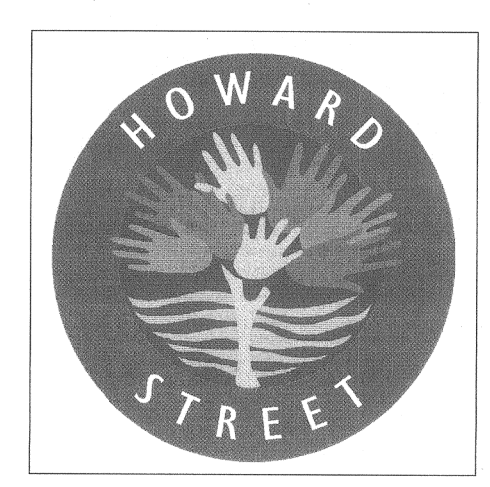
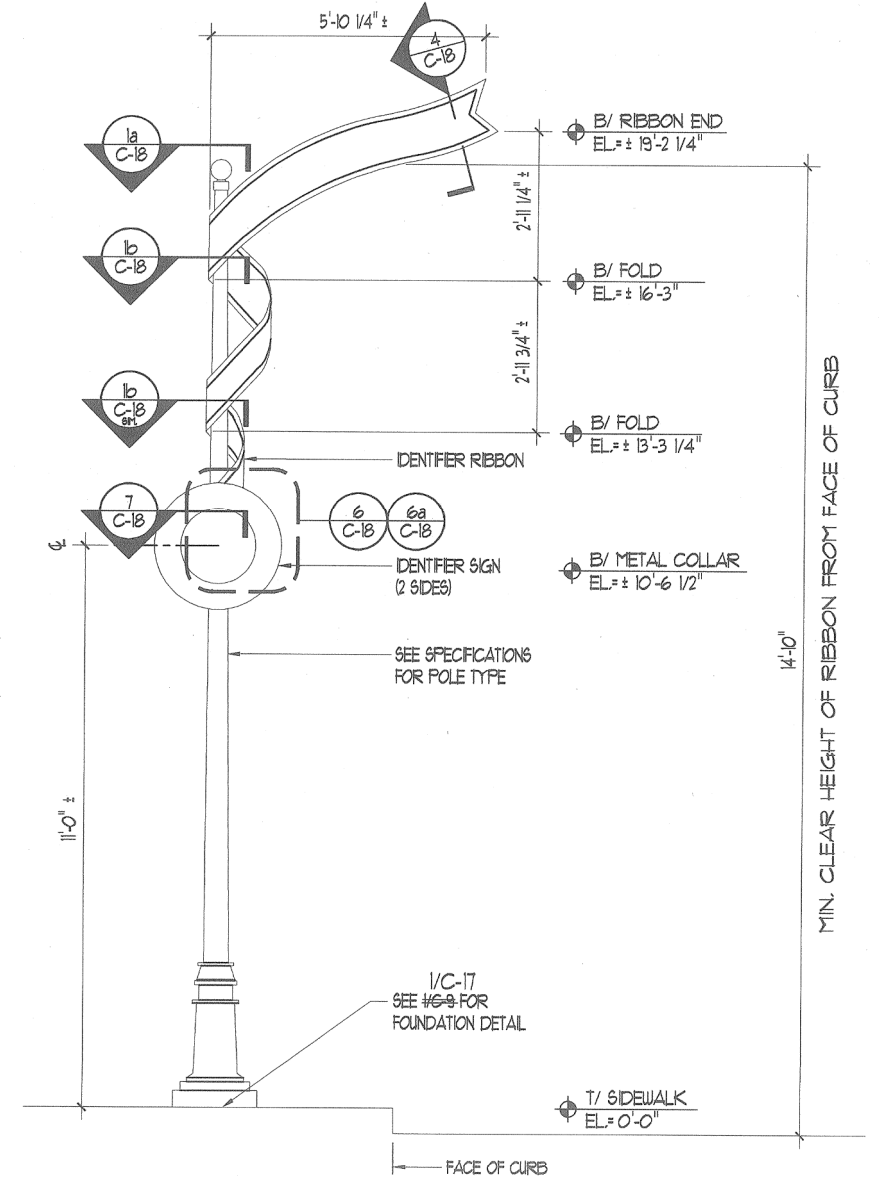


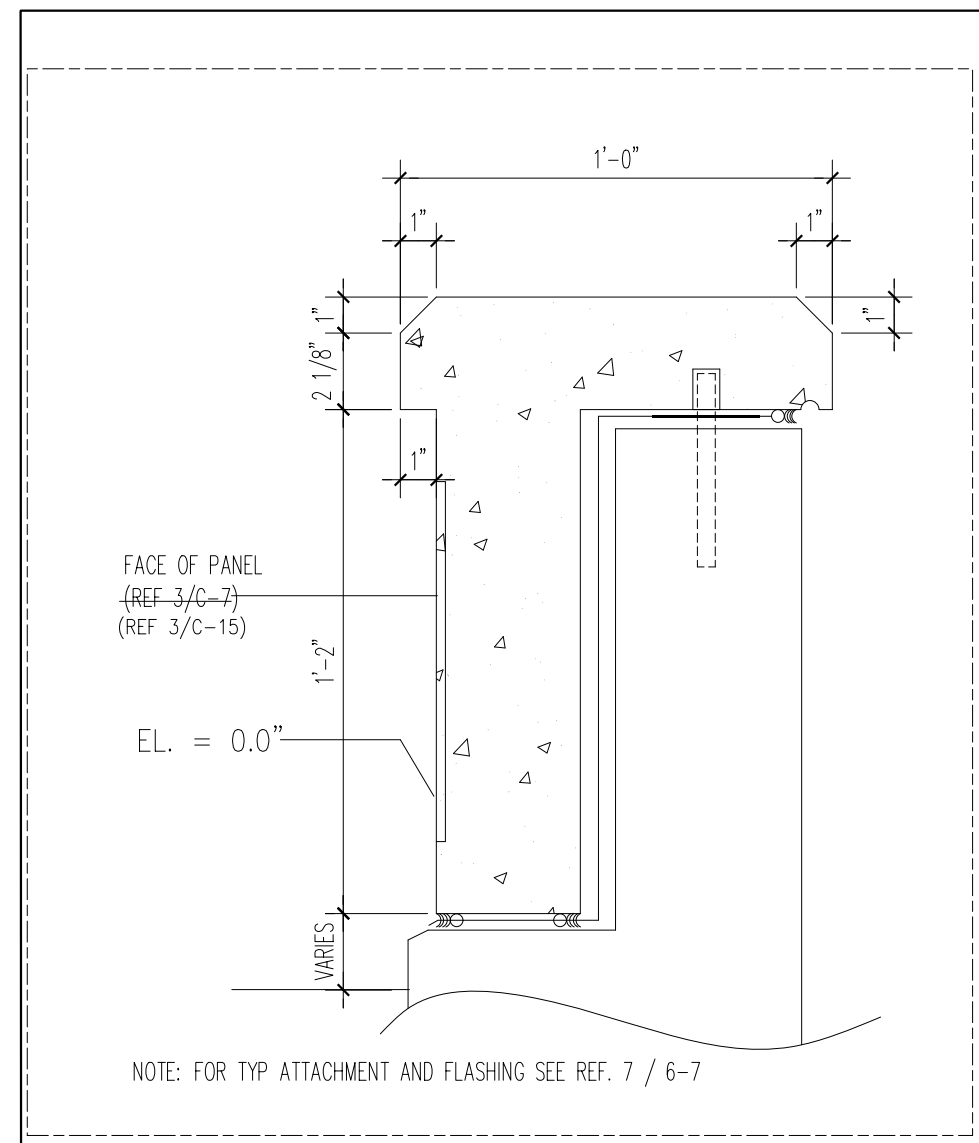
2 IDENTIFIER MEDALLION SIGN ELEVATION SCALE: 1/2" = 1'-0"



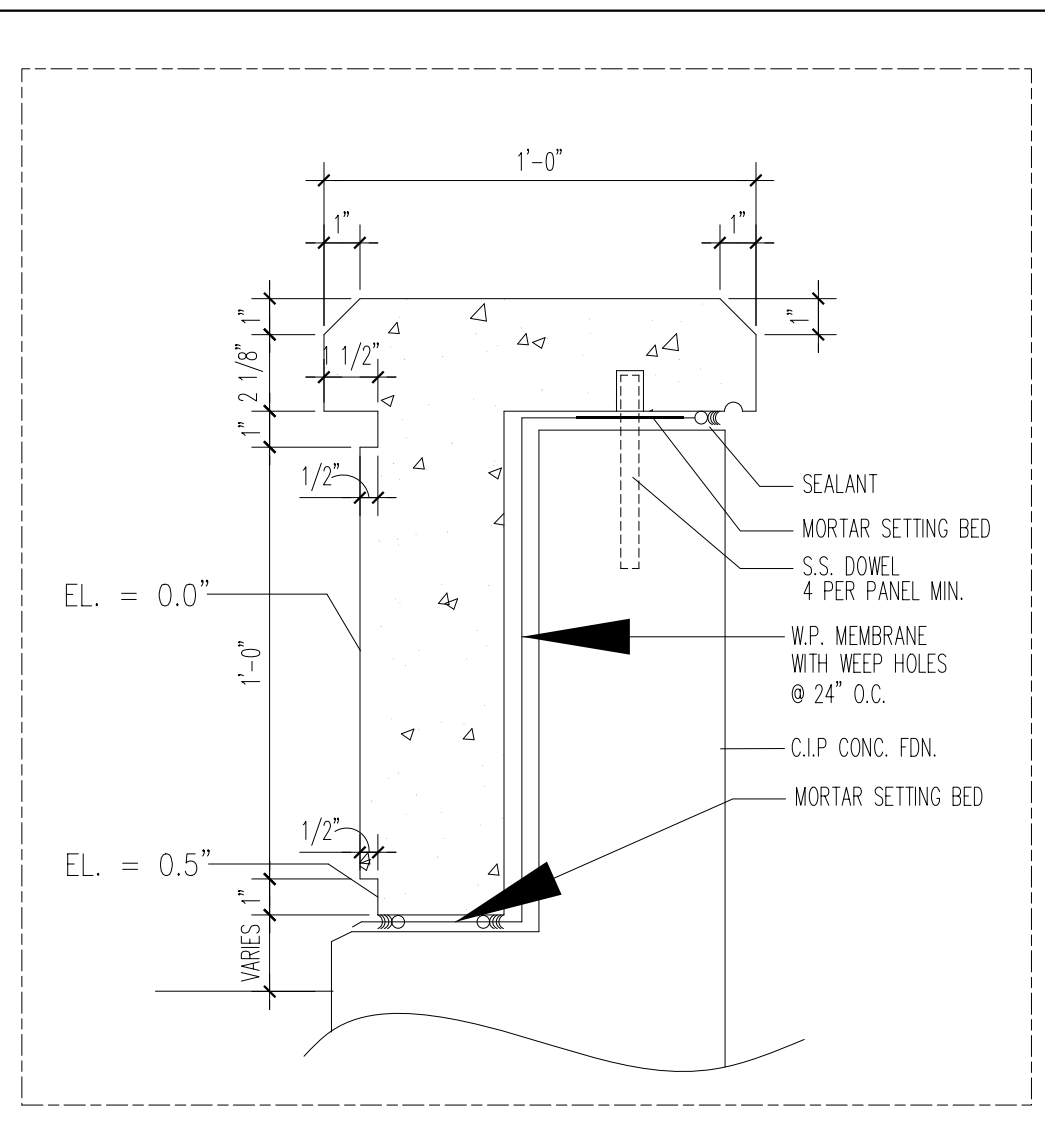
3 IDENTIFIER MEDALLION SIGN ARTWORK NOT TO SCALE (SEE BOOK 3 SPECIFICATIONS FOR DETAILS)



8 AREA IDENTIFIER POLE ELEVATION SCALE: 1/2" = 1'-0"

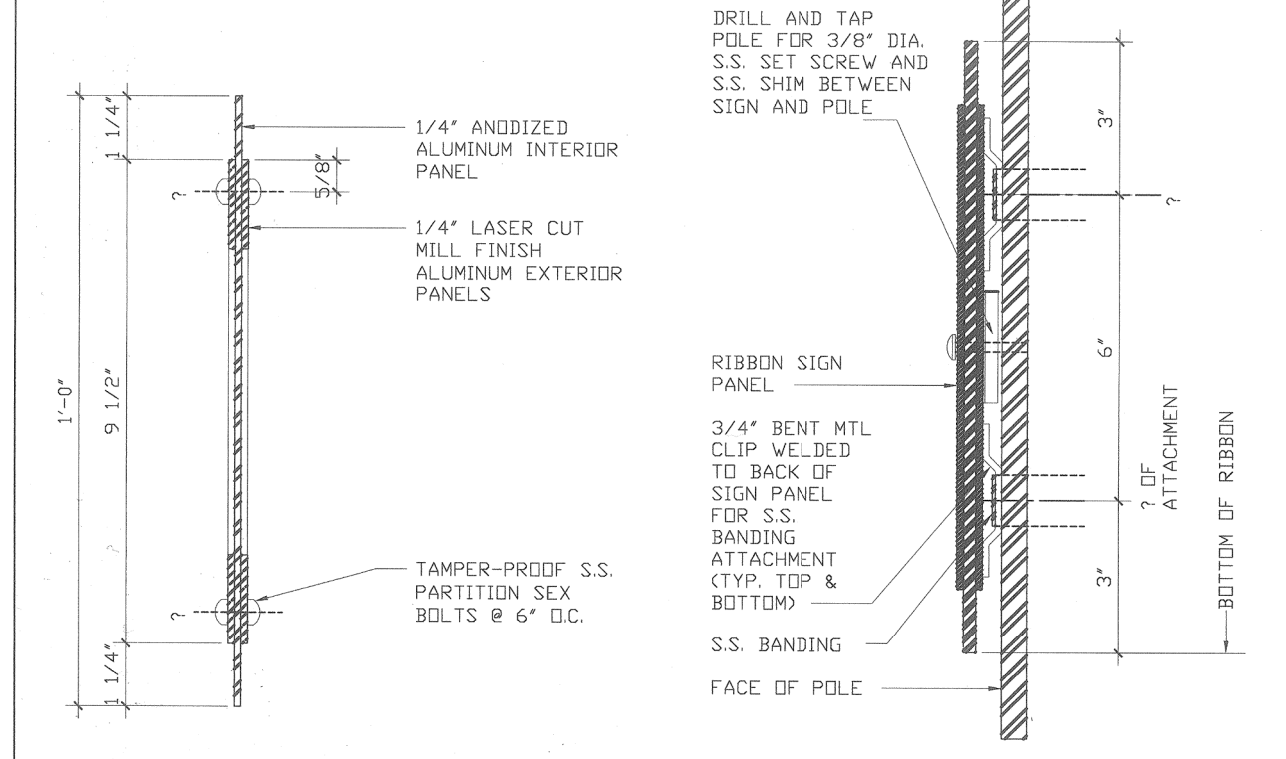


SECTION @ FLAT PANEL SCALE: 3" = 1'-0"

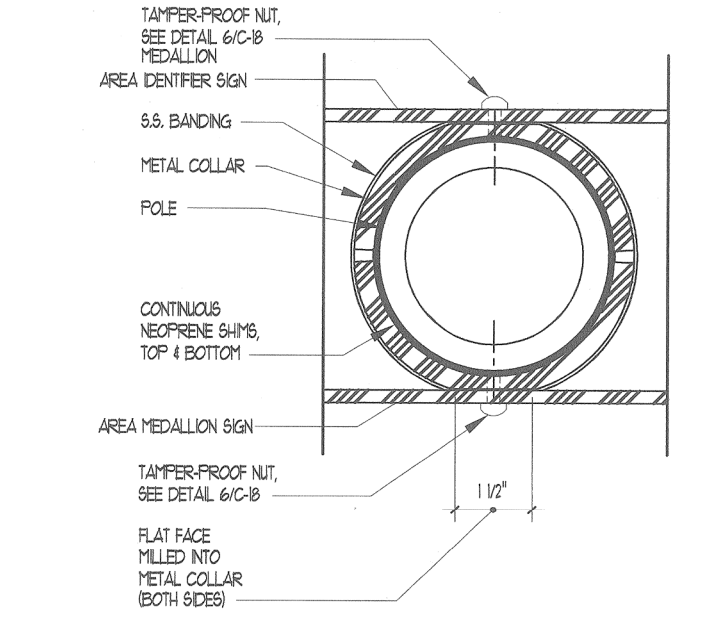


SECTION @ RAISED PANEL SCALE: 3" = 1'-0"

STRUCTURAL REPAIR OF CONCRETE (SPECIAL)

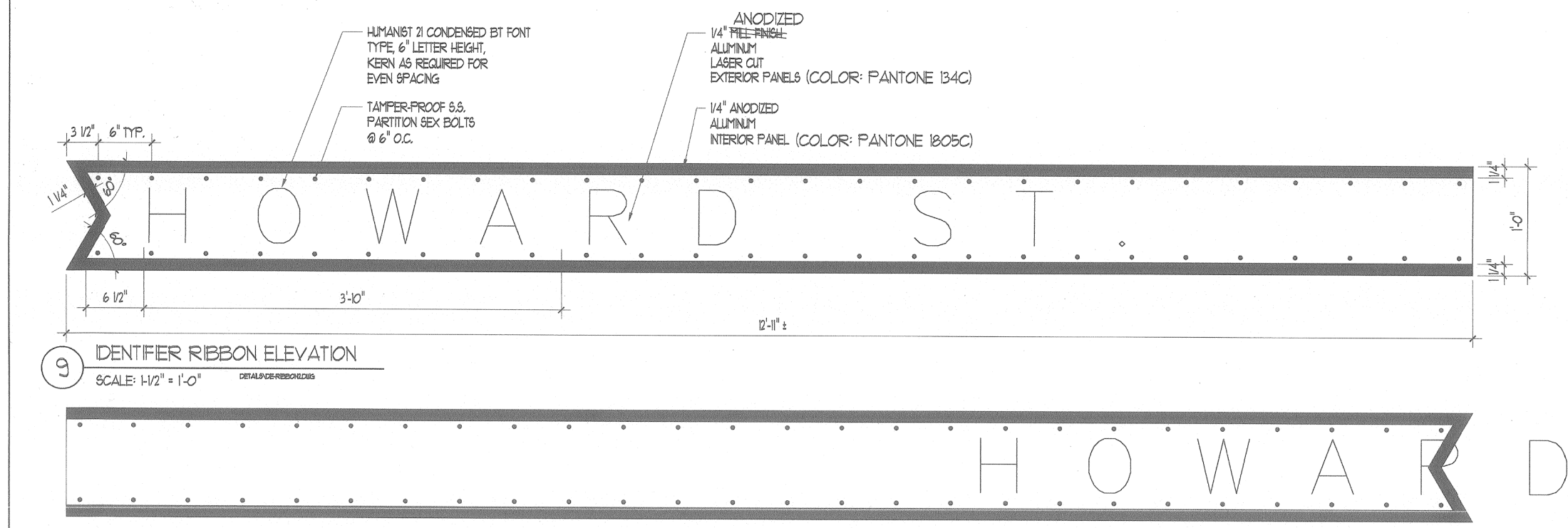


4 SECTION THROUGH RIBBON SCALE: 6" = 1'-0"



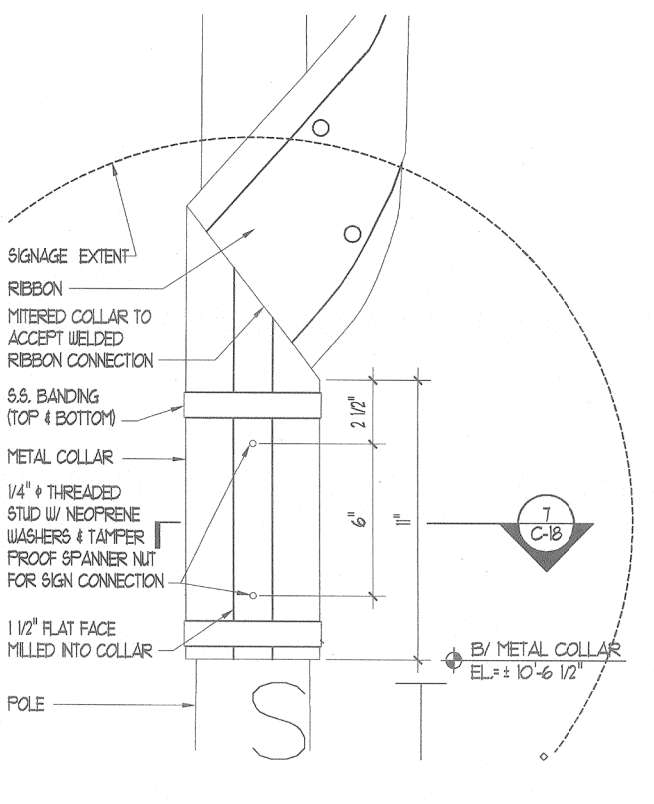
5 TYP. UPPER CONNECTION @ POLE SCALE: 6" = 1'-0"

7 IDENTIFIER MEDALLION SIGN CONNECTION DETAIL SCALE: 6" = 1'-0"

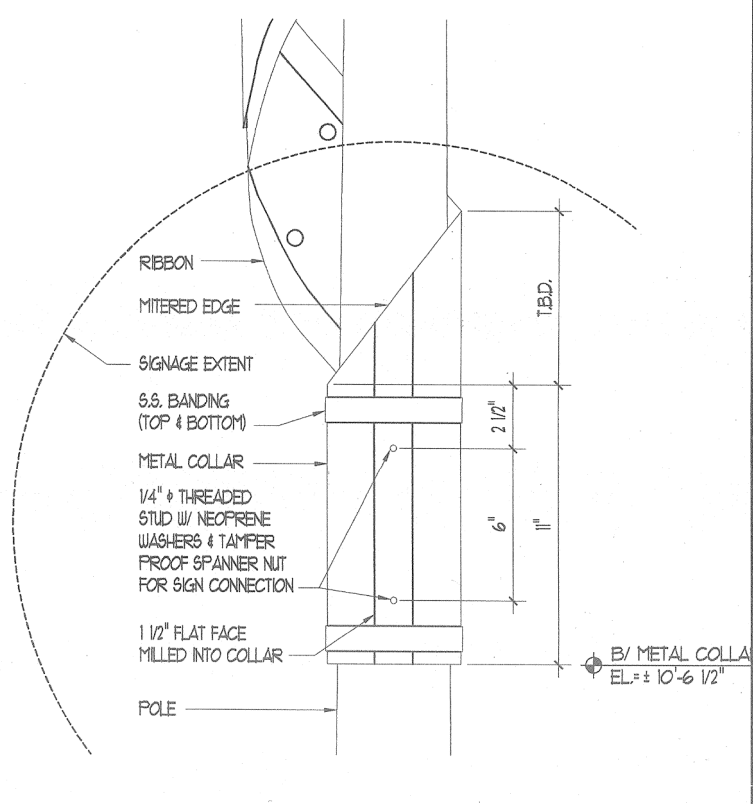


9 IDENTIFIER RIBBON ELEVATION SCALE: 1/2" = 1'-0"

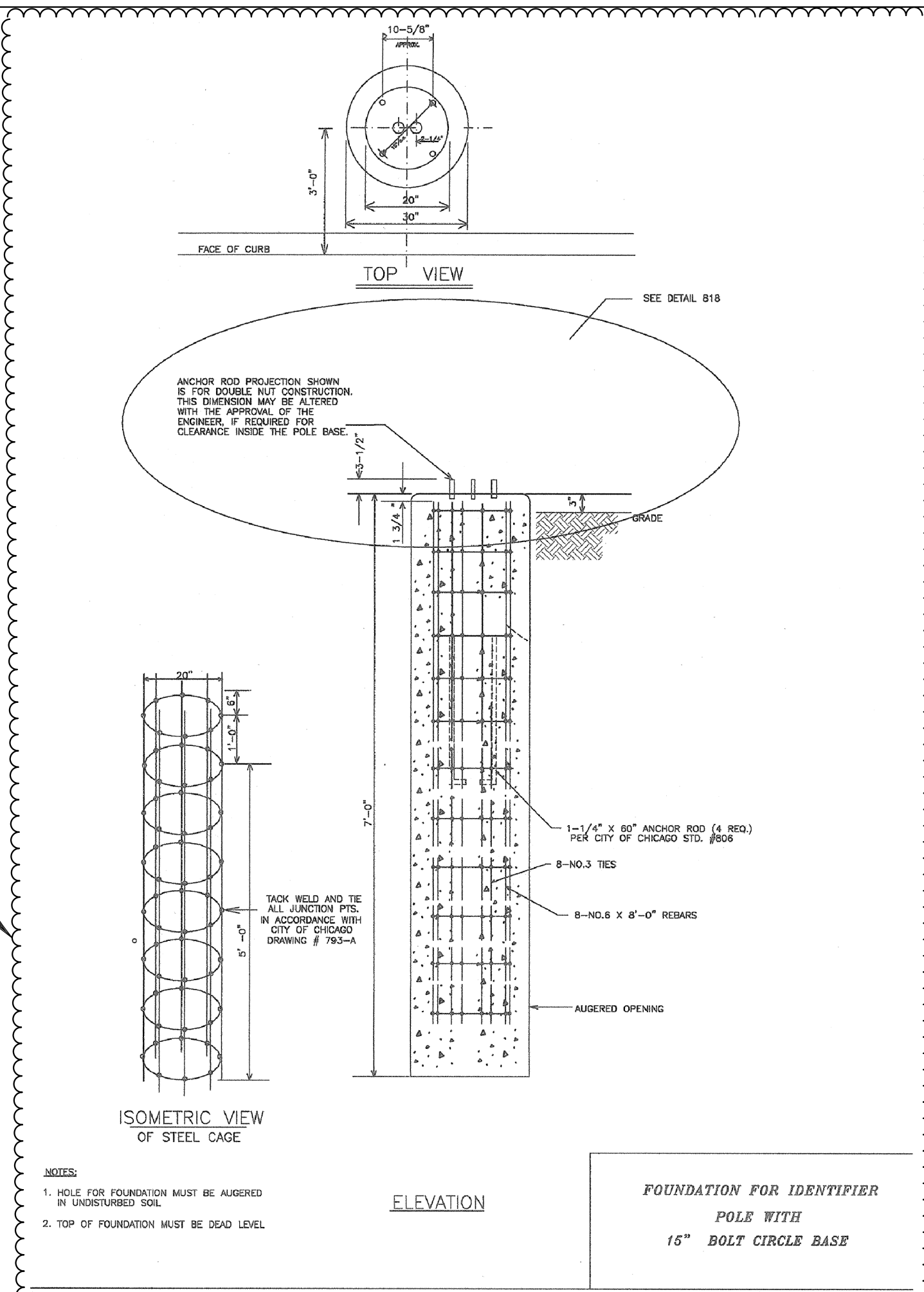
10 IDENTIFIER RIBBON ELEVATION (OPP. SIDE) SEE 9/C-B FOR TYP. NOTES AND DIMENSIONS. SCALE: 1/2" = 1'-0"



6 LOWER CONNECTION @ POLE SCALE: 3" = 1'-0"



6a LOWER CONNECTION @ POLE (OPP. SIDE) SCALE: 3" = 1'-0"



1 FOUNDATION FOR IDENTIFIER POLE SCALE: NOT TO SCALE

* FOR LOCATIONS WHERE PROPOSED FOUNDATIONS WILL NOT BE IN CONFLICT WITH EXISTING UNDERGROUND UTILITIES. VERIFY IN FIELD ALL UNDERGROUND UTILITY LOCATIONS PRIOR TO CONSTRUCTION OF ALL FOUNDATIONS.

| | | | |
|---|--------------------------|------------------|--------------------|
| FILE NAME = N:\EVANSTON\190121\Civ11\DET_190121_07.sh | USER NAME = mmichalowicz | DESIGNED - MLM | ADDENDUM 1 2/28/20 |
| PLOT SCALE = 20' | PLOT DATE = 2/27/2020 | DRAWN - MLM, JEH | REVISED - |
| | | CHECKED - MEK | REVISED - |
| | | DATE - | REVISED - |

STATE OF ILLINOIS
DEPARTMENT OF TRANSPORTATION

HOWARD STREET CORRIDOR IMPROVEMENT PROJECT
DETAILS

SHEET OF STA.

| | | | | |
|--------------------|----------------|--------|---------------------------|-----------|
| F.A. R.T.E. | SECTION | COUNTY | TOTAL SHEETS | SHEET NO. |
| 1334 | 17-00281-00-RS | COOK | 270 | 246 |
| CONTRACT NO. 61G30 | | | ILLINOIS FED. AID PROJECT | |