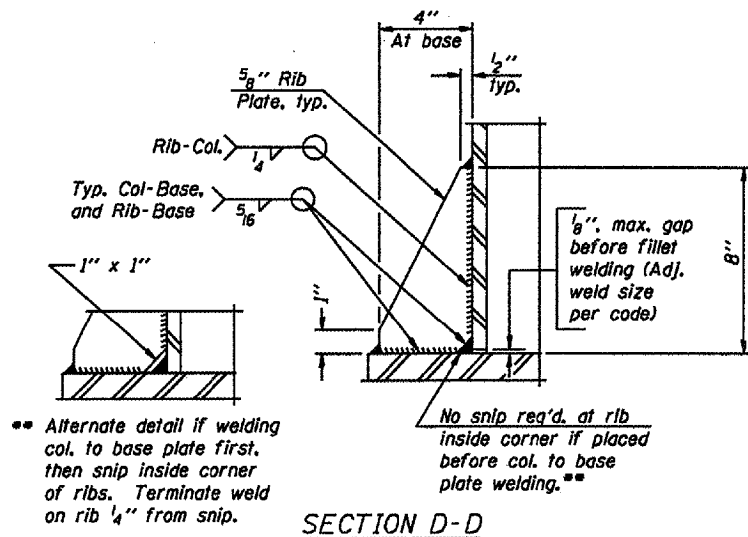
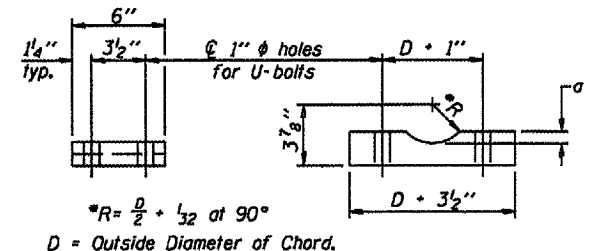


SECTION B-B



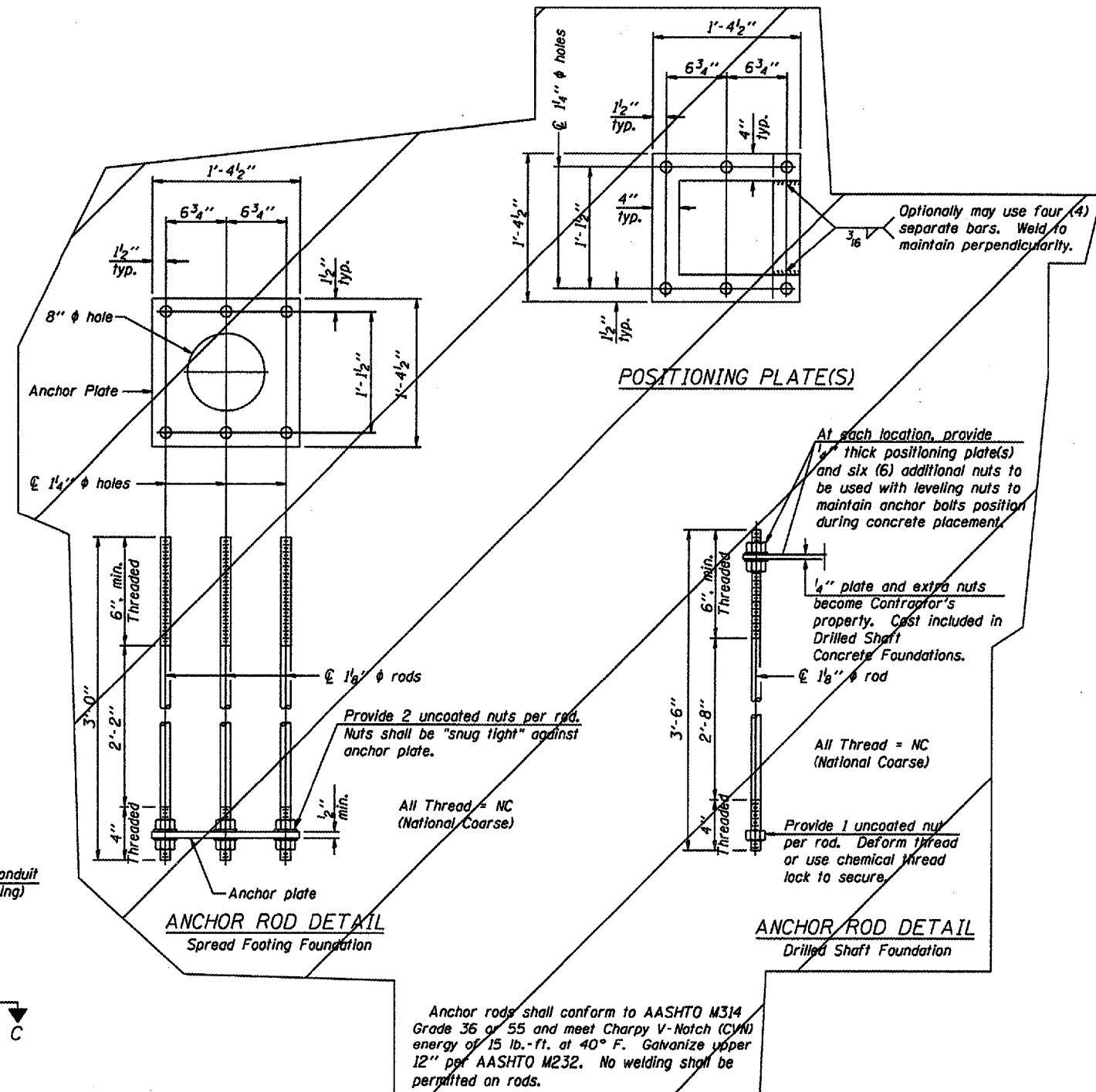
SECTION D-D



SADDLE SHIM DETAIL

ASTM B26 Alloy 356-F  
or  
ASTM B209 Alloy 6061-T651  
(4 required per sign truss)

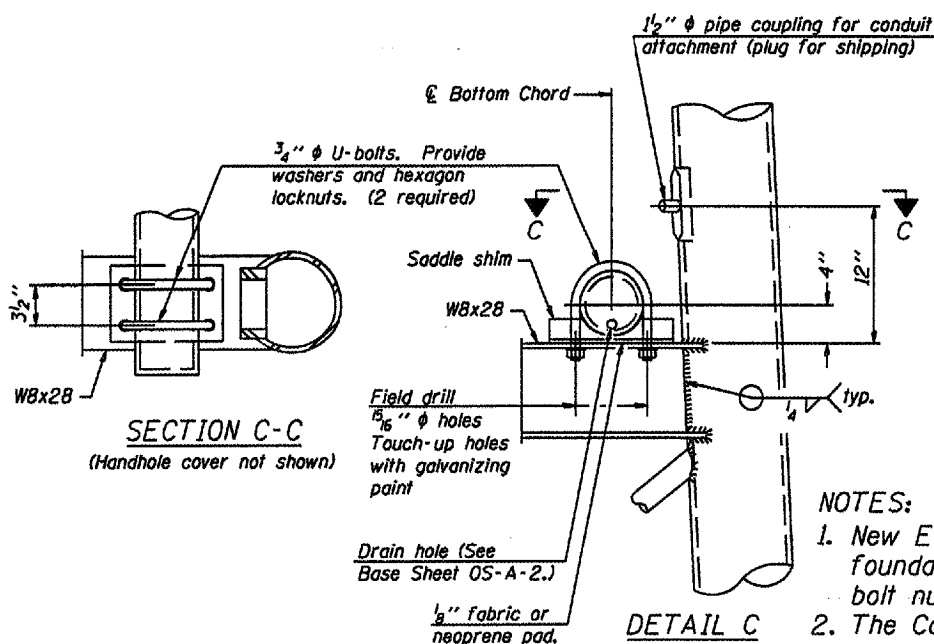
Truss Chord Nominal Dia.	a
5"	3/4"
5 1/2"	13/16"
6"	7/8"
6 1/2"	15/16"



ANCHOR ROD DETAIL  
Spread Footing Foundation

ANCHOR ROD DETAIL  
Drilled Shaft Foundation

Anchor rods shall conform to AASHTO M314 Grade 36 or 55 and meet Charpy V-Notch (CVN) energy of 15 lb.-ft. at 40° F. Galvanize upper 12" per AASHTO M232. No welding shall be permitted on rods.



SECTION C-C  
(Handhole cover not shown)

DETAIL C

TYPE I-A TRUSS  
8"  $\phi$  PIPE SUPPORT FRAME DETAILS

- NOTES:
1. New End Supports to be installed on existing concrete foundations with existing anchor bolts. Provide new anchor bolt nuts and washers as necessary.
  2. The Contractor and the Engineer shall field verify the existing end support dimensions and the existing anchor bolt dimensions prior to fabrication of the new end supports.

OVERHEAD SIGN STRUCTURES  
SUPPORT FRAME DETAILS ALUMINUM TRUSS

District 2  
I-74 Overhead Sign  
Structure Replacement

NUMBER	REVISION	DATE

DESIGNED -	20
CHECKED -	EXAMINED _____ ENGINEER OF BRIDGE DESIGN
DRAWN -	PASSED _____ ENGINEER OF BRIDGES AND STRUCTURES
CHECKED -	