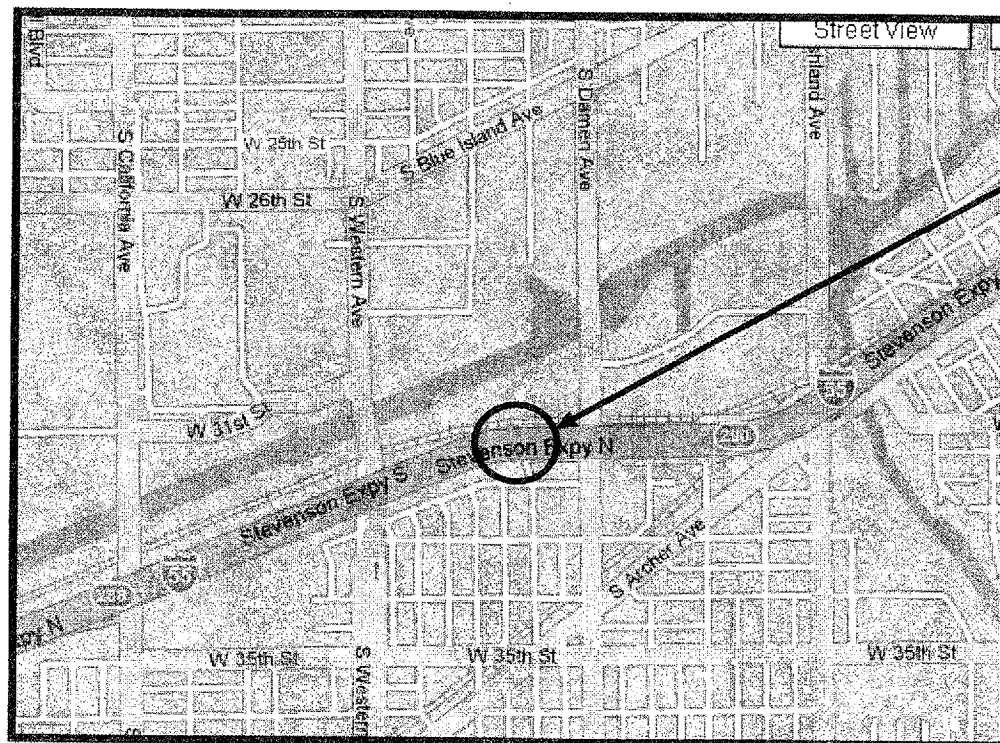


ROUTE VARIOUS	SECTION 2007-0101	COUNTY VARIOUS	TOTAL SHEETS 18	SHEET NUMBER 13
------------------	----------------------	-------------------	--------------------	--------------------

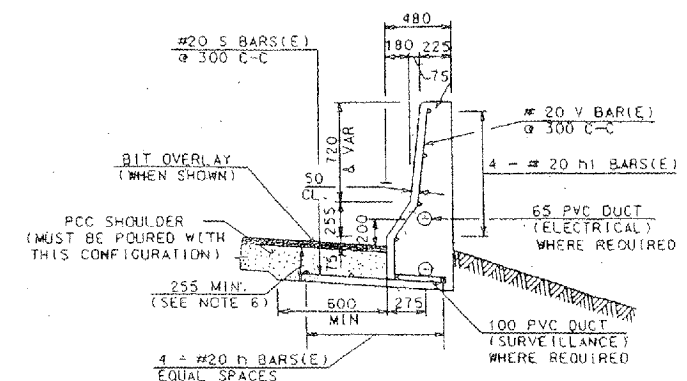
SOUTH TOWNSHIP

R 14 E

T 39 N



LOCATION 7: I-55: STEVENSON EXPRESSWAY
NORTH EAST BOUND, 0.3M WEST OF DAMEN AVENUE, LEFT SIDE 80'. EAST OF ABUTMENT WESTERN AVENUE BRIDGE.



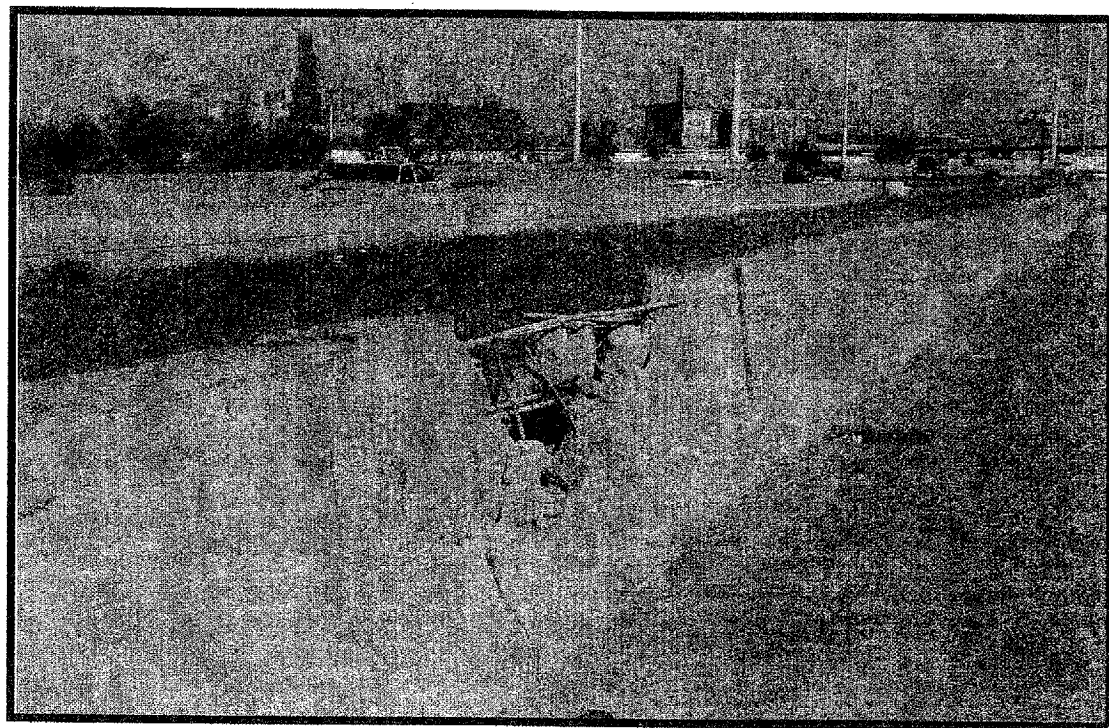
CONC BAR 1F225T1050 H-REINF.
CONCRETE BARRIER, SINGLE FACE,
225 TOP, 1050 HEIGHT, REINFORCED
(OR)
CONC BAR 1F225T1050 HV-REINF.
CONCRETE BARRIER, SINGLE FACE,
225 TOP, 1050 HEIGHT (VARIABLE), REINFORCED

FILL SECTION

FILL SECTION
REINFORCING BARS
6.1 m SECTION

BAR	NO.	SIZE	LENGTH	SHAPE
h	4	#20	5.95 m	—
s	21	#20	1.00 m	—
l	4	#20	5.95 m	—
v	21	#20	1.63 m	⌋
REINFORCING BARS (EPOXY CTD.)			Kg	243

LONGITUDINAL BARS SHOULD NOT EXTEND THROUGH JOINTS.



OVERALL LENGTH=19'

Above measurements in the existing detail are in Metric, and should be converted to English Units. The proposed reinforcement bars shall be included in the cost for Concrete Barrier Wall Removal and Replacement.