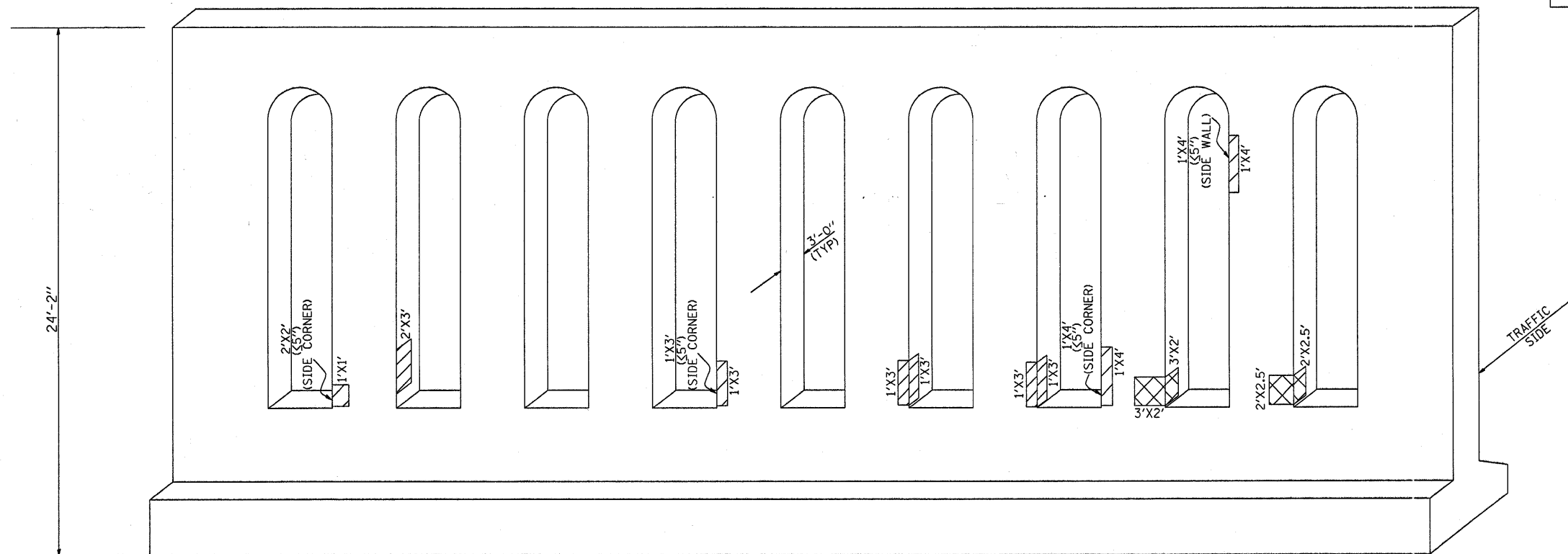




SOUTH ABUTMENT FRONT WALL (NORTH FACE)
(LOOKING SOUTH)

SOUTH ABUT. FRONT WALL BILL OF MATERIAL	UNIT	QUANTITY
STRUCTURAL REPAIR OF CONCRETE > 5"	SQ FT	22
STRUCTURAL REPAIR OF CONCRETE ≤ 5"	SQ FT	99



SOUTH ABUTMENT FRONT WALL (SOUTH FACE)
(LOOKING NORTH)

	STRUCTURAL REPAIR OF CONCRETE > 5"
	STRUCTURAL REPAIR OF CONCRETE ≤ 5"

SHEET 1 OF 3