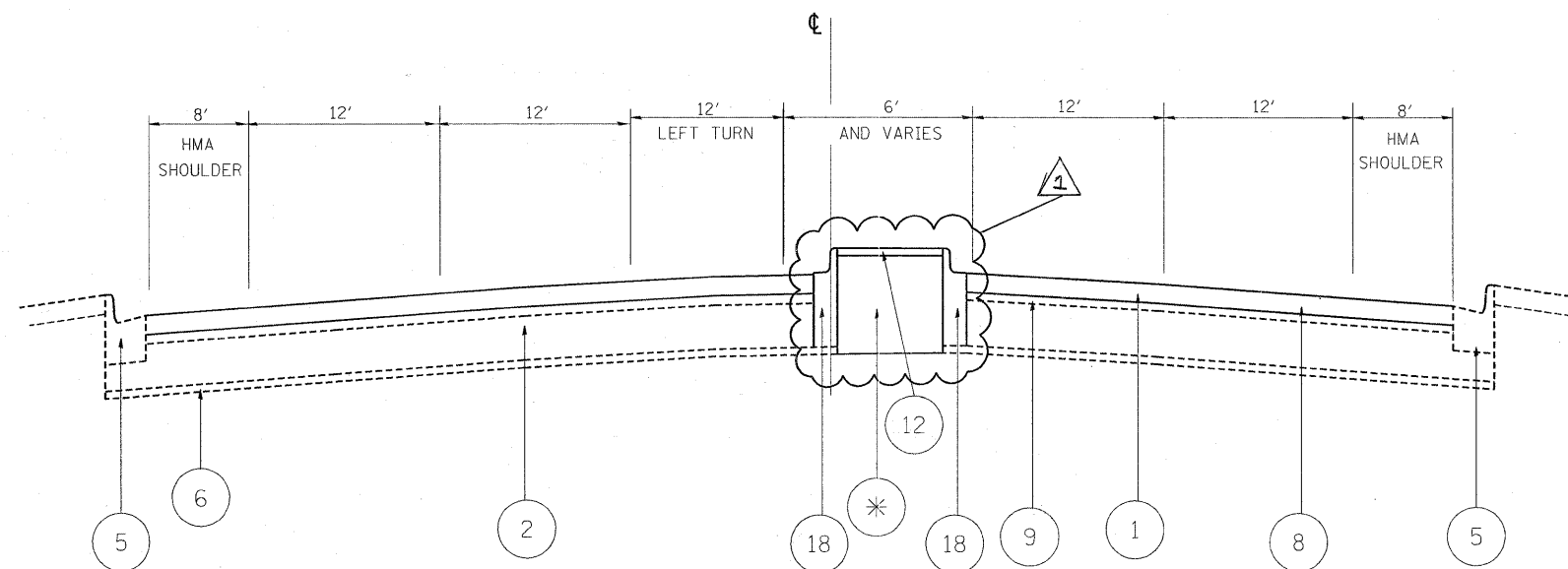


IL 31  
 EXISTING TYPICAL SECTION  
 STA. 9+22 TO STA. 11+25  
 STA. 18+57 TO STA. 20+60



IL 31  
 PROPOSED TYPICAL SECTION  
 STA. 9+22 TO STA. 11+25  
 STA. 18+57 TO STA. 20+60

- LEGEND
- 1 EXISTING HOT-MIX ASPHALT SURFACE COURSE, 4 1/4" ±
  - 2 EXISTING HOT MIX ASPHALT BASE COURSE, 11" ±
  - 3 EXISTING P.C.C. MEDIAN
  - 4 EXISTING COMPACTED EARTH
  - 5 EXISTING CONCRETE CURB AND GUTTER, TYPE B-6.24
  - 6 EXISTING SUB-BASE GRANULAR MATERIAL
  - 7 EXISTING CURB AND GUTTER TO BE REMOVED
  - 8 PROPOSED HOT MIX ASPHALT SURFACE REMOVAL, 2 1/2"
  - 9 EXISTING HOT MIX ASPHALT OVERLAY AFTER MILLING
  - 10 PROPOSED LEVELING BINDER (MACHINE METHOD), N70 (3/4")
  - 11 PROPOSED POLYMERIZED HOT MIX ASPHALT SURFACE COURSE MIX "F", N90 1 3/4"
  - 12 PROPOSED CONCRETE MEDIAN SURFACE, 4 INCH
  - 13 PROPOSED HOT MIX ASPHALT BASE COURSE WIDENING, 11"
  - 14 PROPOSED SUB-BASE GRANULAR MATERIAL, TYPE B, 6" ±
  - 15 DELETED
  - 16 PROPOSED STRIP REFLECTIVE CRACK CONTROL
  - 17 PROPOSED P.C.C. MEDIAN SB-6.12
  - 18 PROPOSED COMBINATION CONCRETE CURB AND GUTTER, TYPE B 6.12 (SPECIAL)

\* NOTE  
 THE COARSE AGGREGATE BACK FILL  
 SHALL BE INCLUDED IN THE COST OF  
 CONCRETE MEDIAN SURFACE, 4 INCH

FILE NAME =	USER NAME = banks1	DESIGNED -	REVISED - $\Delta$ 2/18/08 L.B.	<b>STATE OF ILLINOIS DEPARTMENT OF TRANSPORTATION</b>	<b>IL. ROUTE 31 @ CRYSTAL LAKE AVENUE EXISTING AND PROPOSED TYPICAL CROSS SECTIONS</b>	F.A.P. RTE. 336	SECTION 112 R-N-1	COUNTY MC-HENRY	TOTAL SHEETS 31	SHEET NO. 4A.		
PROJECT NO. 0803408	DESIGNER	DRAWN	REVISED			SCALE:	SHEET NO. OF SHEETS	STA. TO STA.	FED. ROAD DIST. NO. 1 [ILLINOIS] FED. AID PROJECT			
PLOT SCALE = 50:0.0000 ' / IN.	CHECKED	DATE	REVISED									
PLOT DATE = 2/15/2008												