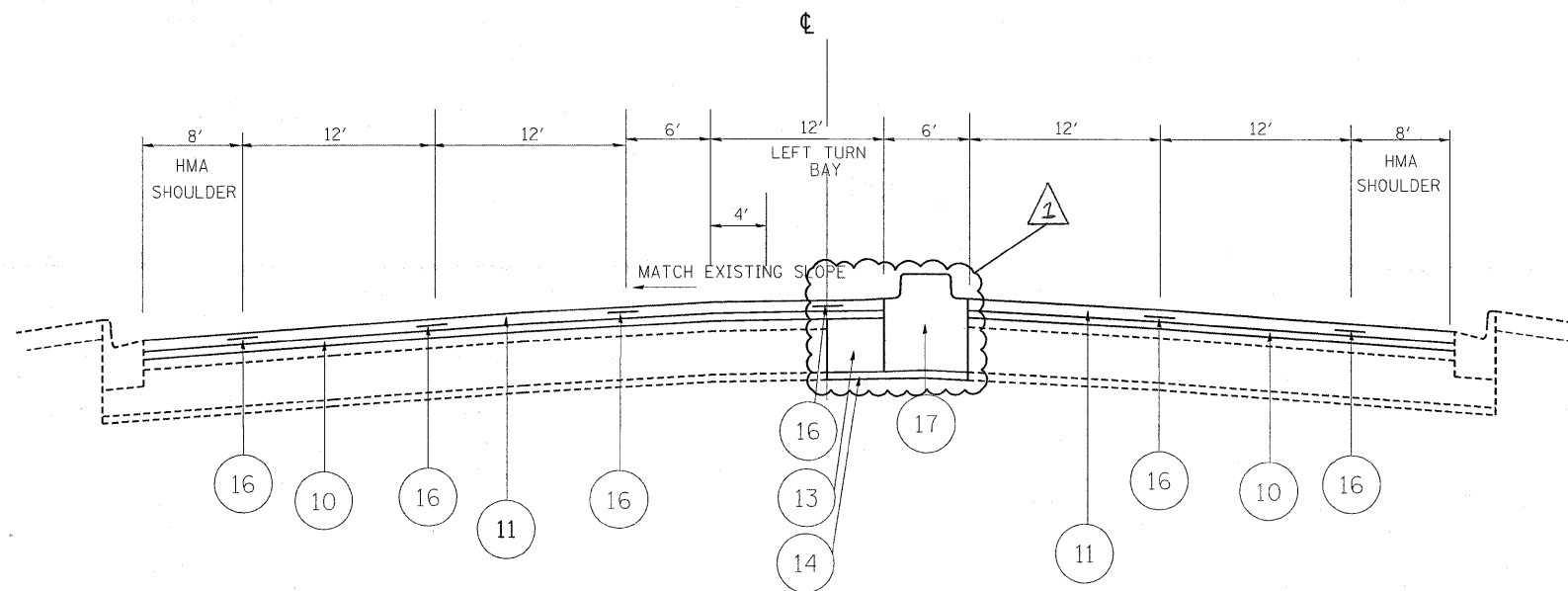


IL 31  
EXISTING TYPICAL SECTION  
STA. 15+39 TO STA. 18+67



IL 31  
PROPOSED TYPICAL SECTION  
STA. 15+39 TO STA. 18+57

LEGEND

- 1 EXISTING HOT-MIX ASPHALT SURFACE COURSE, 4 1/4" ±
- 2 EXISTING HOT MIX ASPHALT BASE COURSE, 11" ±
- 3 EXISTING P.C.C. MEDIAN
- 4 EXISTING COMPACTED EARTH
- 5 EXISTING CONCRETE CURB AND GUTTER, TYPE B-6.24
- 6 EXISTING SUB-BASE GRANULAR MATERIAL
- 7 EXISTING CURB AND GUTTER TO BE REMOVED
- 8 PROPOSED HOT MIX ASPHALT SURFACE REMOVAL, 2 1/2"
- 9 EXISTING HOT MIX ASPHALT OVERLAY AFTER MILLING
- 10 PROPOSED LEVELING BINDER (MACHINE METHOD), N70 (3/4")
- 11 PROPOSED POLYMERIZED HOT MIX ASPHALT SURFACE COURSE MIX "F", N90 1 3/4"
- 12 PROPOSED CONCRETE MEDIAN SURFACE, 4 INCH
- 13 PROPOSED HOT MIX ASPHALT BASE COURSE WIDENING, 11"
- 14 PROPOSED SUB-BASE GRANULAR MATERIAL, TYPE B, 6"
- 15 DELETED
- 16 PROPOSED STRIP REFLECTIVE CRACK CONTROL
- 17 PROPOSED P.C.C. MEDIAN SB-6.12
- 18 PROPOSED COMBINATION CONCRETE CURB AND GUTTER, TYPE B 6.12 (SPECIAL)

FILE NAME =	USER NAME = banks1	DESIGNED -	REVISED - 2/15/08 L.B.
cr\projects\dl03488\design_ee.dgn		DRAWN -	REVISED -
PLOT SCALE = 50.0000' / IN.		CHECKED -	REVISED -
PLOT DATE = 2/15/2008		DATE -	REVISED -

STATE OF ILLINOIS  
DEPARTMENT OF TRANSPORTATION

IL. ROUTE 31 @ CRYSTAL LAKE AVENUE  
EXISTING AND PROPOSED TYPICAL CROSS SECTIONS

SCALE: SHEET NO. OF SHEETS STA. TO STA.

F.A. RTE.	SECTION	COUNTY	TOTAL SHEETS	SHEET NO.
336	112 R-N-1	McHenry	31	5
FED. ROAD DIST. NO. 1 [ILLINOIS] FED. AID PROJECT			CONTRACT NO. 60D52	