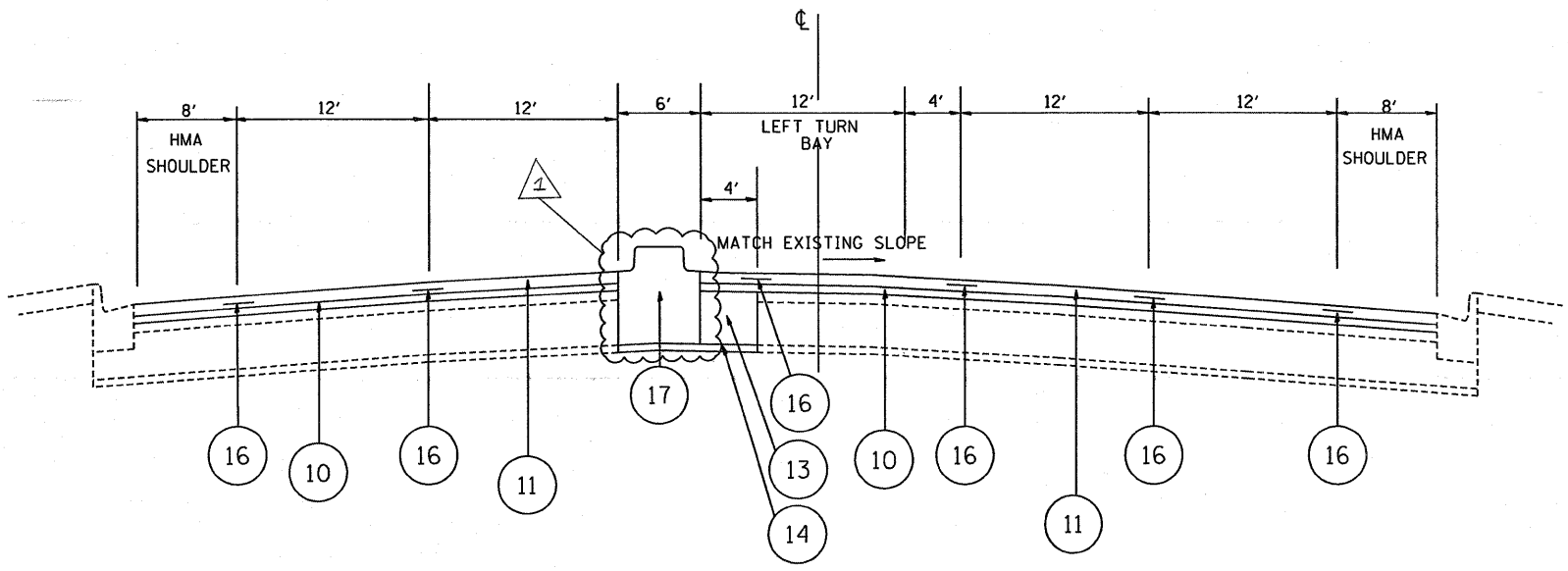


IL 31  
EXISTING TYPICAL SECTION  
STA. 11+25 TO STA. 14+55



IL 31  
PROPOSED TYPICAL SECTION  
STA. 11+25 TO STA. 14+55

LEGEND

- ① EXISTING HOT-MIX ASPHALT SURFACE COURSE, 4 1/4" ±
- ② EXISTING HOT MIX ASPHALT BASE COURSE, 11" ±
- ③ EXISTING P.C.C. MEDIAN
- ④ EXISTING COMPACTED EARTH
- ⑤ EXISTING CONCRETE CURB AND GUTTER, TYPE B-6.24
- ⑥ EXISTING SUB-BASE GRANULAR MATERIAL
- ⑦ EXISTING CURB AND GUTTER TO BE REMOVED
- ⑧ PROPOSED HOT MIX ASPHALT SURFACE REMOVAL, 2 1/2"
- ⑨ EXISTING HOT MIX ASPHALT OVERLAY AFTER MILLING
- ⑩ PROPOSED LEVELING BINDER (MACHINE METHOD), N70 (3/4")
- ⑪ PROPOSED POLYMERIZED HOT MIX ASPHALT SURFACE COURSE MIX "F", N90 1 3/4"
- ⑫ PROPOSED CONCRETE MEDIAN SURFACE, 4 INCH
- ⑬ PROPOSED HOT MIX ASPHALT BASE COURSE WIDENING, 11"
- ⑭ PROPOSED SUB-BASE GRANULAR MATERIAL, TYPE B, 6"
- ⑮ DELETED
- ⑯ PROPOSED STRIP REFLECTIVE CRACK CONTROL
- ⑰ PROPOSED P.C.C. MEDIAN SB-6.12
- ⑱ PROPOSED COMBINATION CONCRETE CURB AND GUTTER, TYPE B 6.12 (SPECIAL)

FILE NAME =  
c:\projects\dl03486\design\es.dgn

USER NAME = banks1  
DRAWN -  
CHECKED -  
DATE -

DESIGNED -  
DRAWN -  
CHECKED -  
DATE -

REVISED - 2/18/03 LR  
REVISED -  
REVISED -  
REVISED -

STATE OF ILLINOIS  
DEPARTMENT OF TRANSPORTATION

IL. ROUTE 31 @ CRYSTAL LAKE AVENUE  
EXISTING AND PROPOSED TYPICAL CROSS SECTIONS  
SCALE: SHEET NO. OF SHEETS STA. TO STA.

F.A.P. RTE. 336	SECTION 112 R-N-1	COUNTY McHenry	TOTAL SHEETS 31	SHEET NO. 7
FED. ROAD DIST. NO. ILLINOIS FED. AID PROJECT			CONTRACT NO. 60D52	