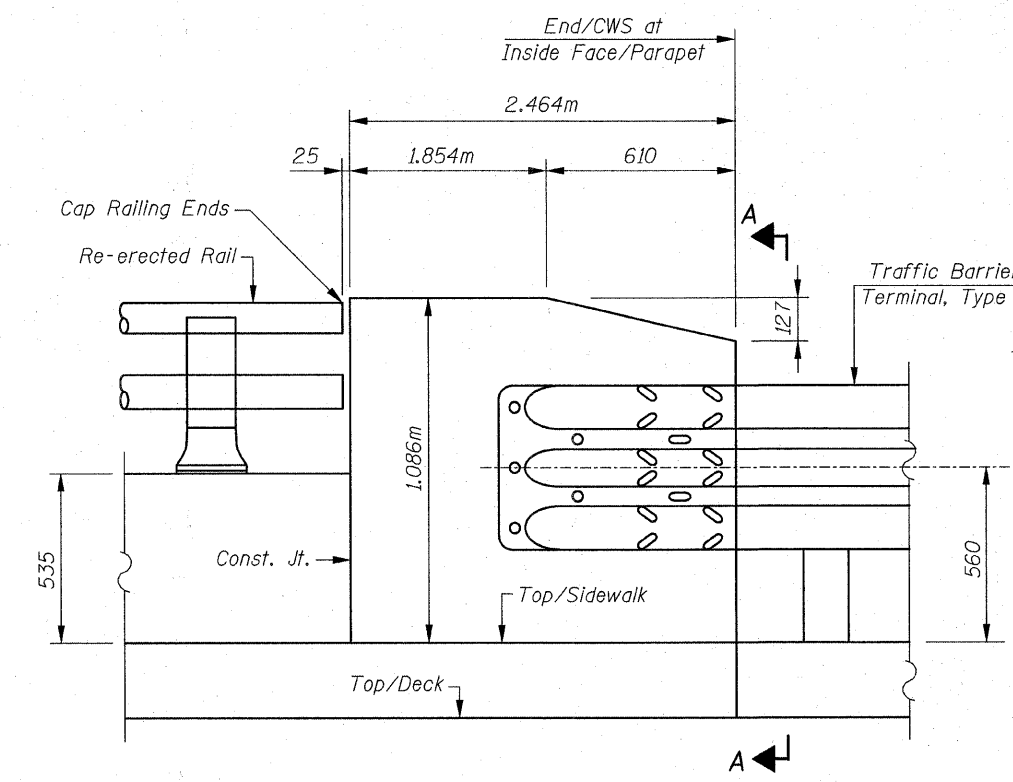


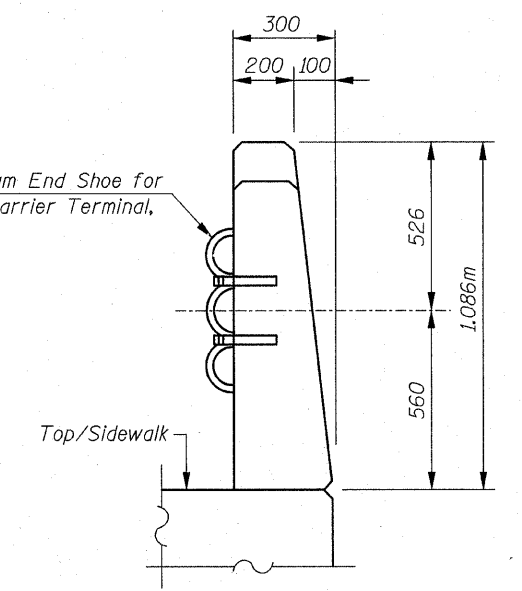
F.A.P. RTE.	SECTION	COUNTY	TOTAL SHEETS	SHEET NO.
330	1Y-B-R-1	LAKE	21	50

STA.	TO STA.
FED. ROAD DIST. NO.	ILLINOIS FED. AID PROJECT

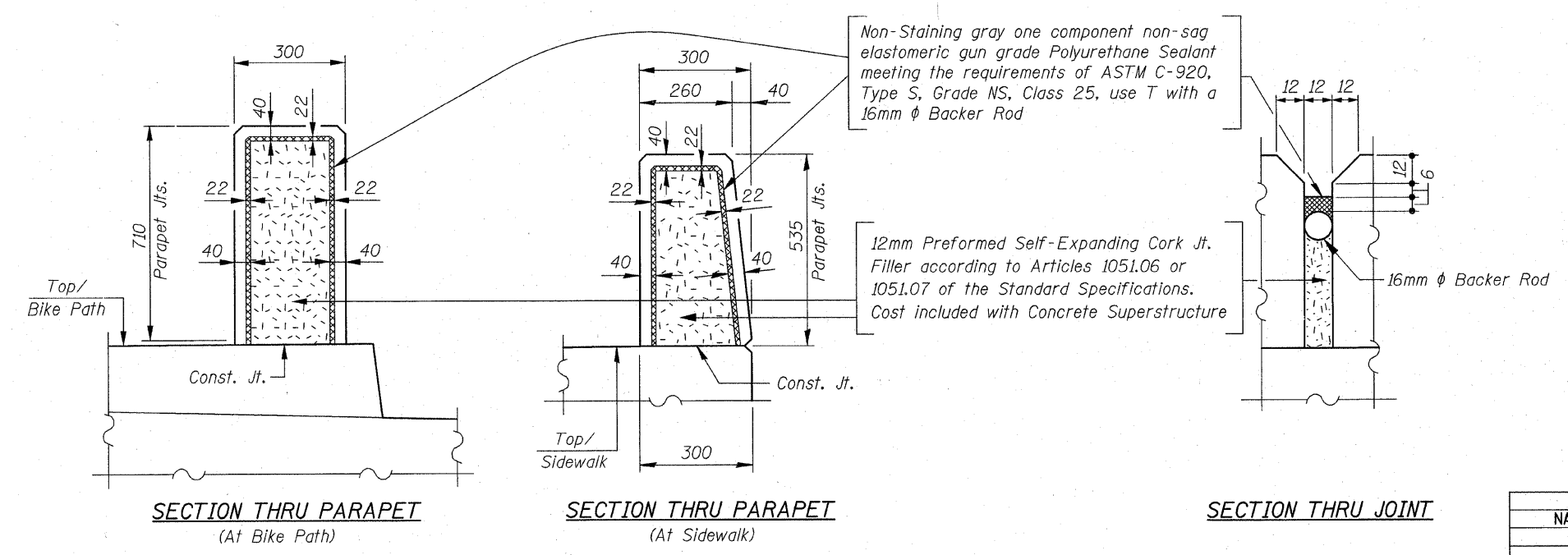
CONTRACT NO. 62032



INSIDE ELEVATION OF PARAPET AT N.E. CORNER
(S.E. Corner opposite hand)
(Looking East)



SECTION A-A



PARAPET JOINT DETAILS

REVISIONS	
NAME	DATE

ILLINOIS DEPARTMENT OF TRANSPORTATION

PARAPET DETAILS

U.S. RTE. 45 / IL. RTE. 21 OVER
APTAKISIC CREEK
F.A.P. RTE. 330 SECTION: 1Y-B-R-1
LAKE COUNTY STATION 10+000.000
STRUCTURE NO. 049-0194

SCALE: NONE
DATE: OCTOBER 16, 2007

DRAWN BY: D.L./F.M.
CHECKED BY: B.N.S.

CHRISTIAN-ROGE & ASSOC., INC.
CHICAGO ILLINOIS