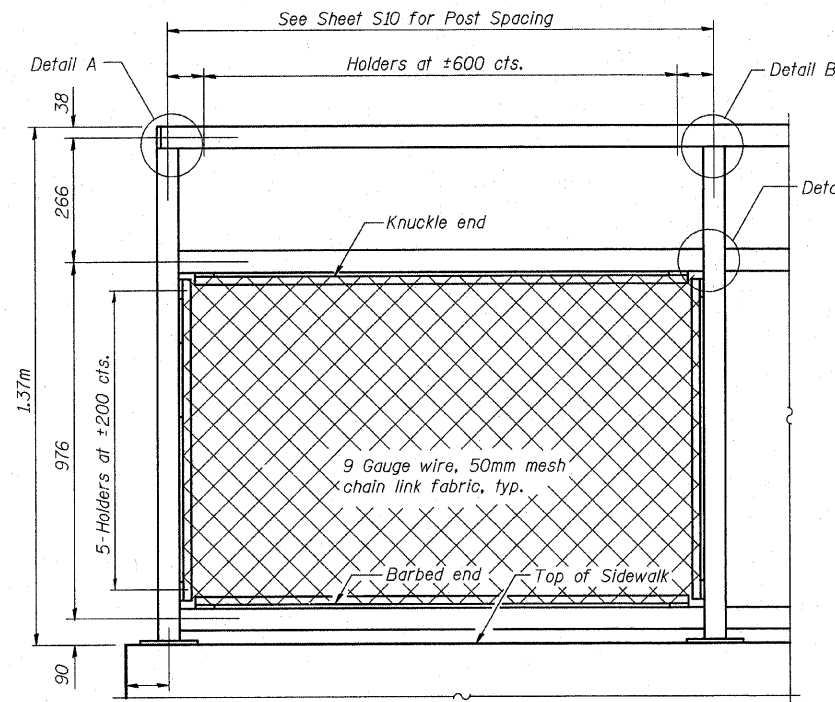


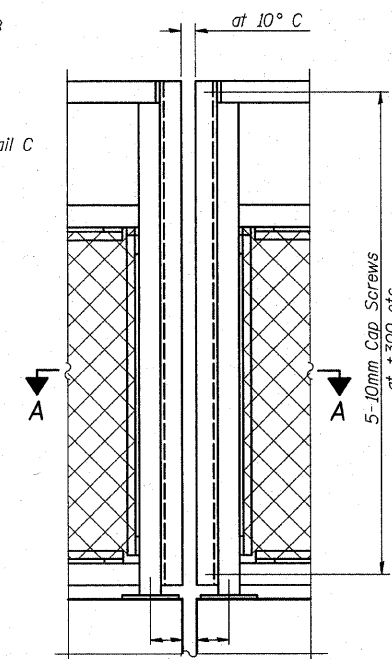
F.A.P. RTE.	SECTION	COUNTY	TOTAL SHEETS	SHEET NO.
330	1Y-B-R-1	LAKE	121	59
STA.		TO STA.		
FED. ROAD DIST. NO.		ILLINOIS FED. AID PROJECT		

CONTRACT NO. 62032

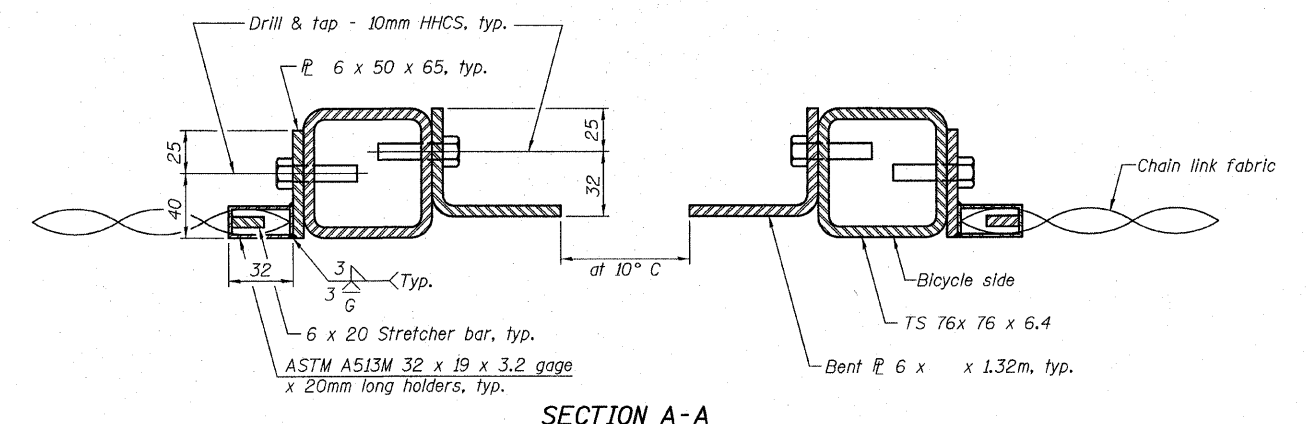
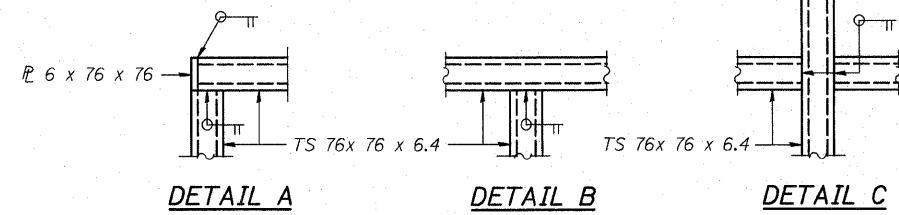
All steel rail elements shall be galvanized according to Article 509.05 of the Standard Specifications.



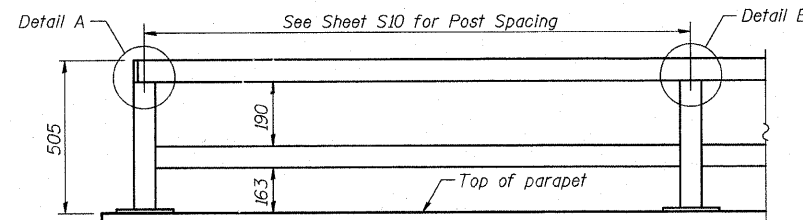
BICYCLE RAILING



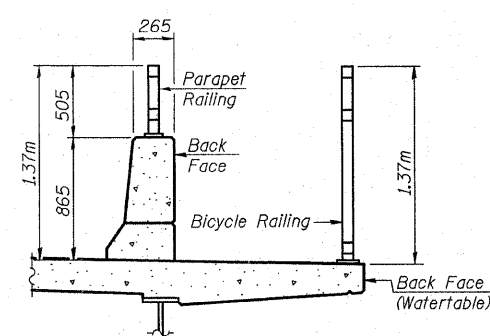
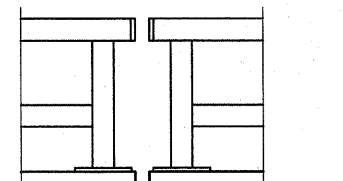
BICYCLE RAILING



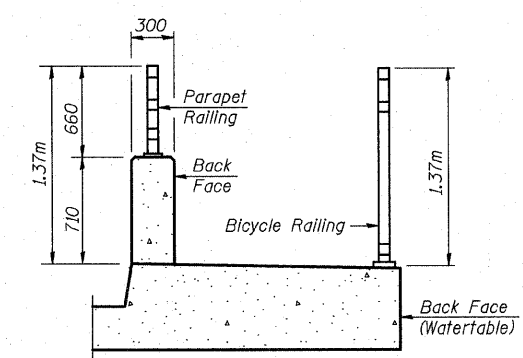
SECTION A-A



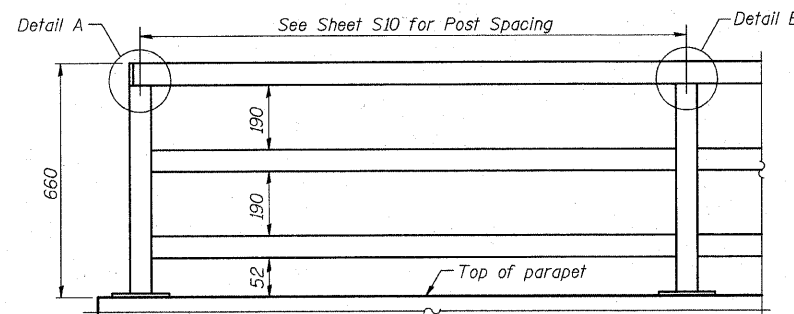
PARAPET RAILING
 ELEVATION
 (Inside Face of Two Element Rail)



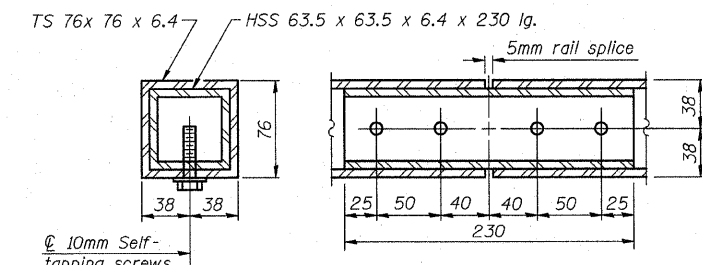
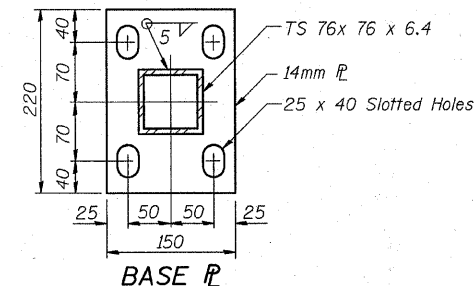
SECTION THRU DECK



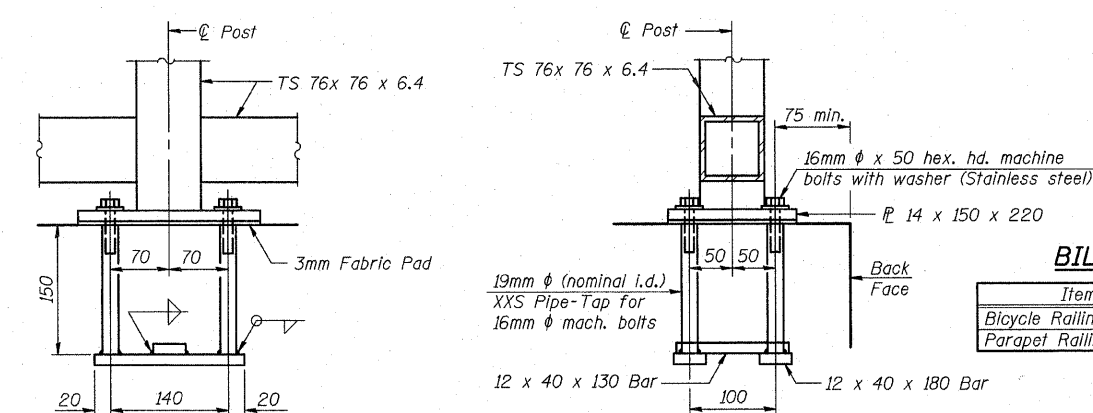
SECTION THRU SIDEWALK



PARAPET RAILING
 ELEVATION
 (Inside Face of Three Element Rail)



RAIL SPLICE



ANCHOR BOLT DETAILS

In lieu of the cast-in-place anchor device shown, the Contractor has the option of drilling and setting 16mm ϕ anchor rods according to Article 509.06 of the Standard Specifications. Embedment shall be according to the manufacturer's specifications.

BILL OF MATERIAL

Item	Unit	Quantity
Bicycle Railing	m	22,960
Parapet Railing	m	22,960

REVISIONS	
NAME	DATE

ILLINOIS DEPARTMENT OF TRANSPORTATION
 BICYCLE & PARAPET RAILING
 U.S. RTE. 45 / IL. RTE. 21
 OVER
 APTAKISIC CREEK
 F.A.P. RTE. 330 SECTION: 1Y-B-R-1
 LAKE COUNTY STATION 10+000.000
 STRUCTURE NO. 049-0194
 SCALE: NONE DRAWN BY: D.L./F.M.
 DATE: OCTOBER 16, 2007 CHECKED BY: B.N.S.
 CHRISTIAN-ROGE & ASSOC., INC.
 CHICAGO ILLINOIS