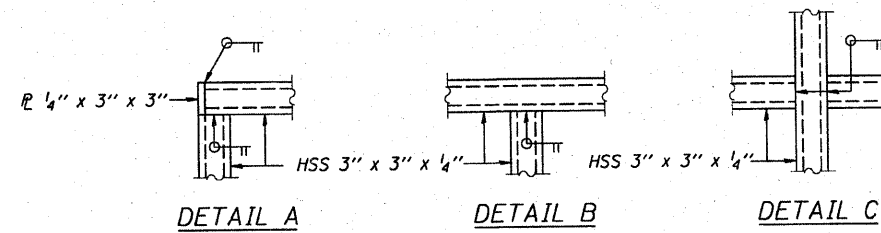
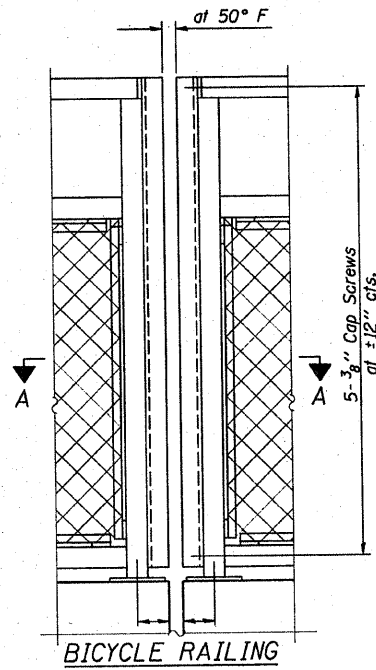
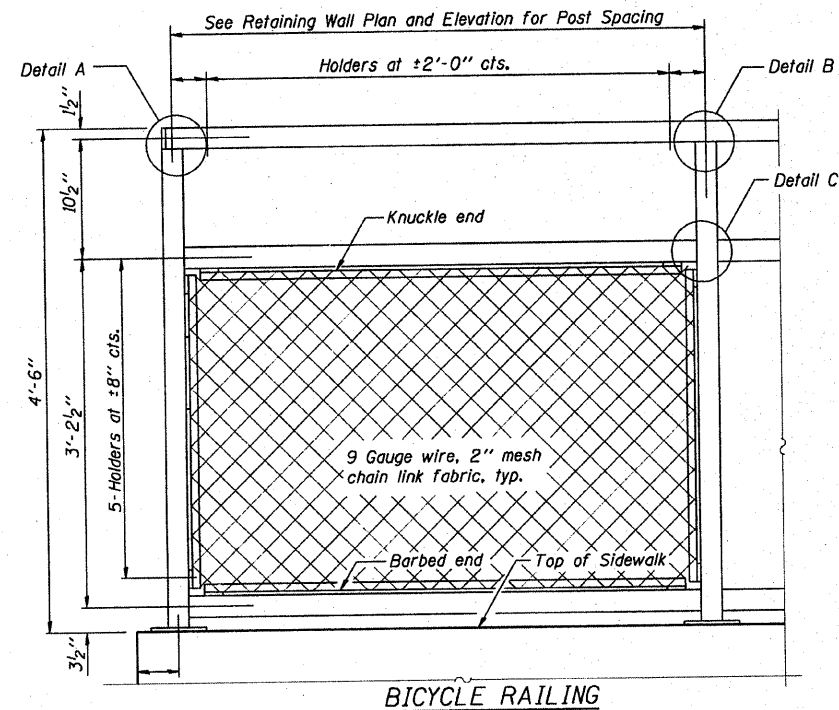


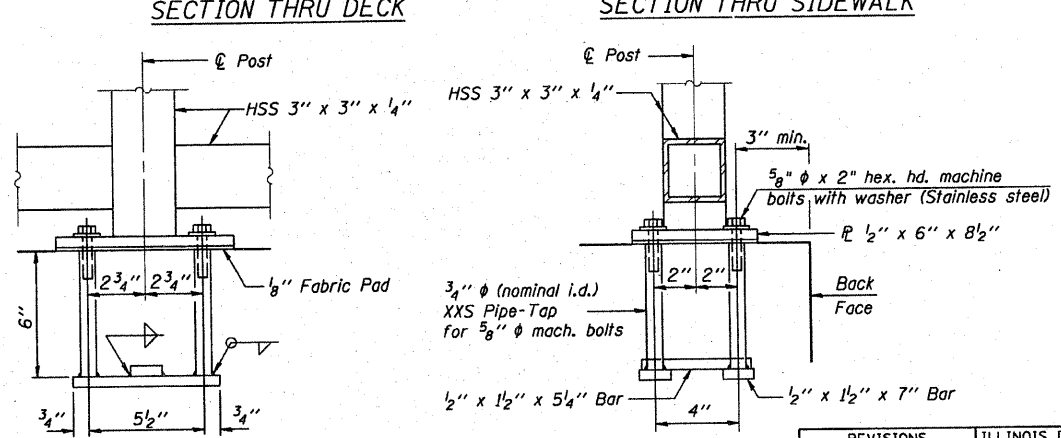
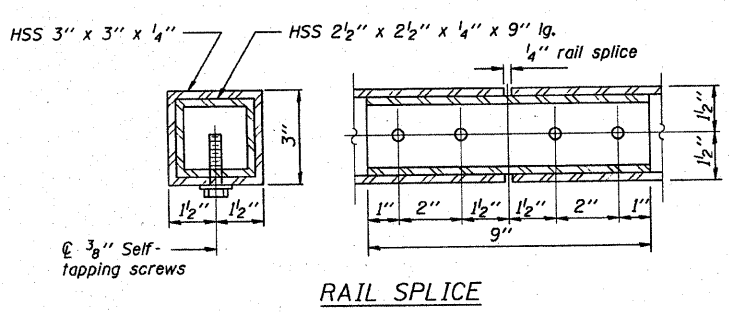
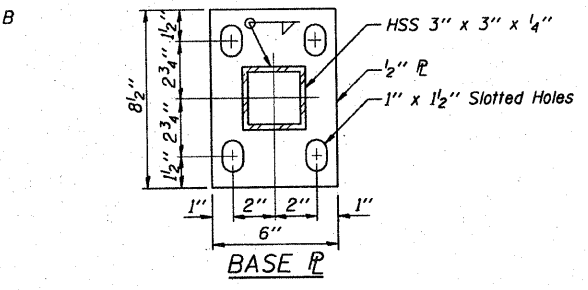
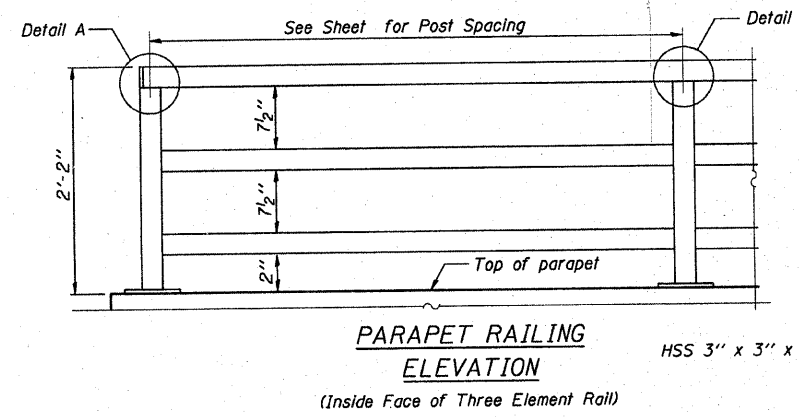
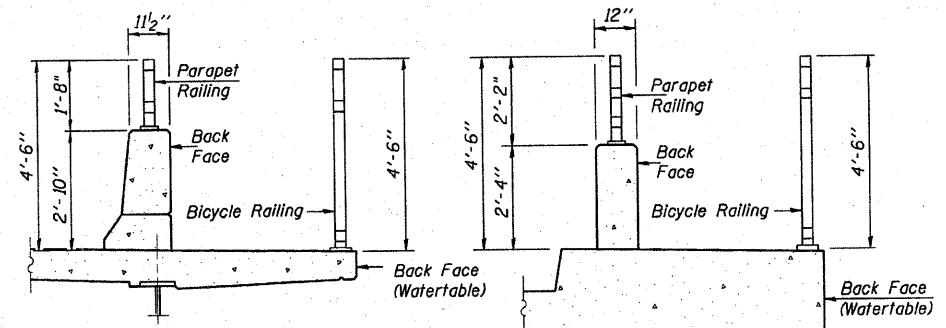
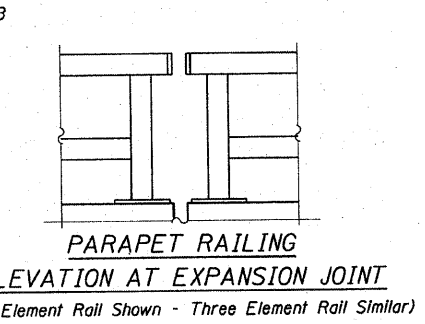
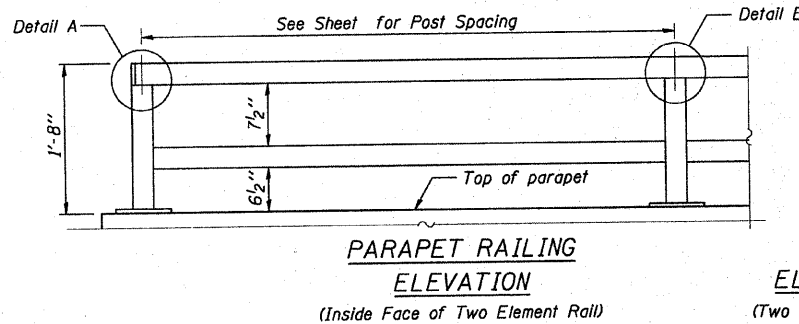
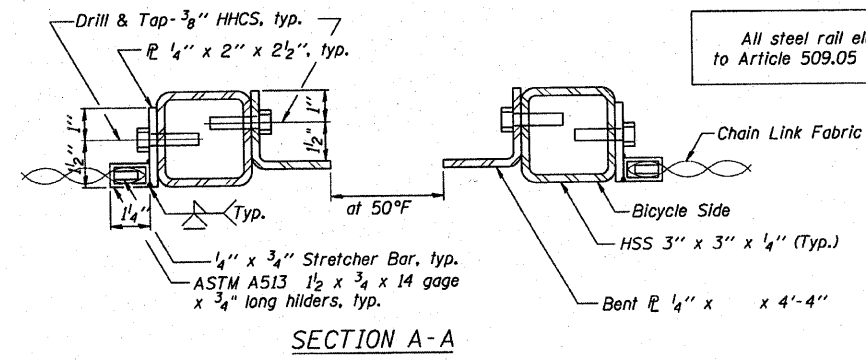
F.A. ROUTE NO.	SECTION	COUNTY	TOTAL SHEETS	SHEET NO.
		LAKE	121	76
FED. ROAD DIST. NO.	ILLINOIS FED. AID PROJECT			
CONTRACT NO. XXXXX				



BILL OF MATERIAL

Item	Unit	Quantity	Unit	Quantity
Bicycle Railing	Meter	191	Foot	625
Parapet Railing	Meter	N/A	Foot	N/A

All steel rail elements shall be galvanized according to Article 509.05 of the Standard Specifications.



REVISIONS		ILLINOIS DEPARTMENT OF TRANSPORTATION
NAME	DATE	
		BICYCLE RAILING
		US 45/IL RTE. 21 OVER APTAKISIC CREEK
		DRAWN BY: M.S.M. CHECKED BY: S.D.H.
		DATE: 11-29-07
		GRAEF, ANHALT, SCHLOEMER & ASSOCIATES, INC. CHICAGO, ILLINOIS