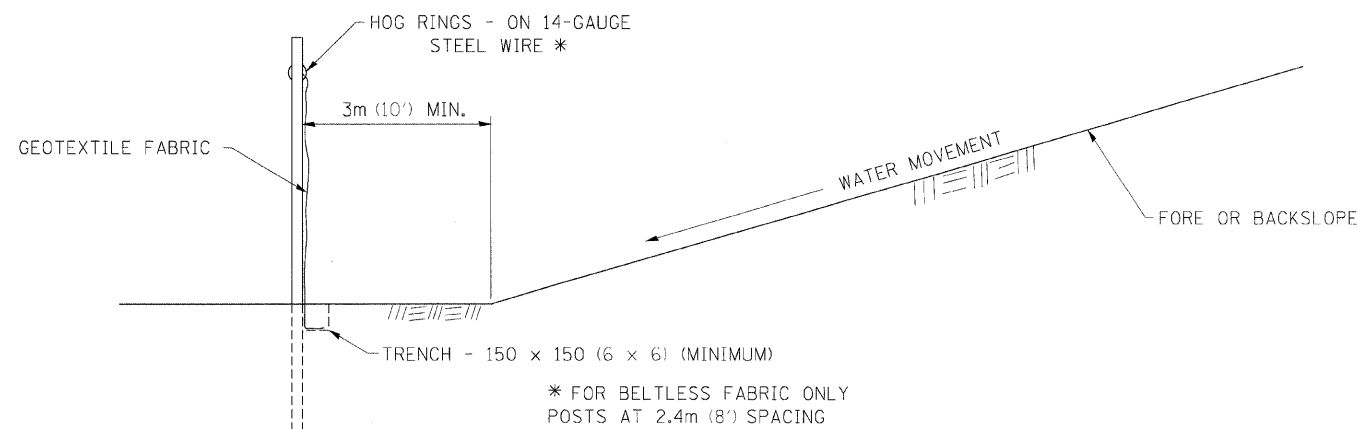
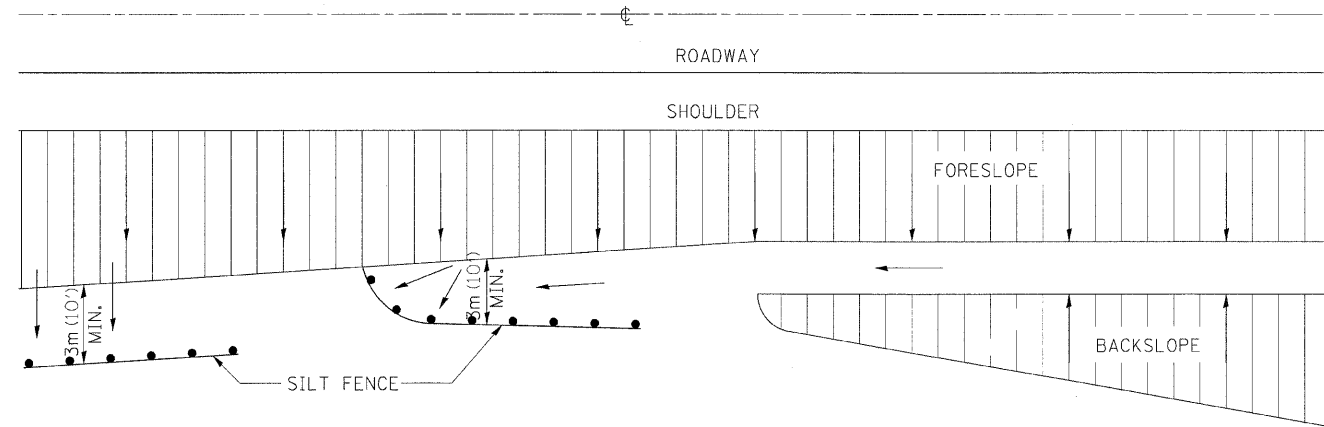


# EROSION CONTROL DETAILS FOR SILT FENCE

CONTRACT NO.				
F.A. RTE.	SECTION	COUNTY	TOTAL SHEETS	SHEET NO.
30B	10HB,HB-1,VB,HB-2IR	ROCK ISLAND	210	79
STA.		TO STA.		
FED. ROAD DIST. NO.	ILLINOIS	FED. AID PROJECT		



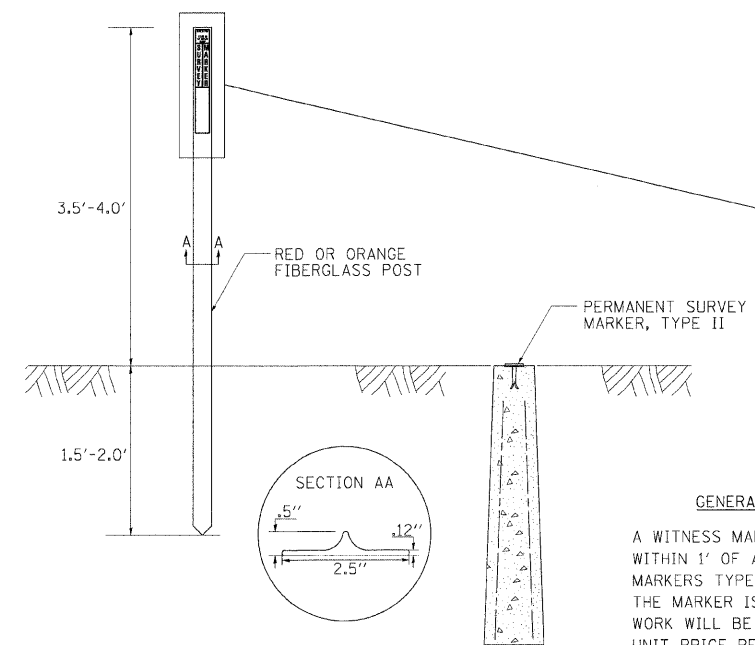
DETAILS OF SILT FENCE

ALL DIMENSIONS ARE IN MILLIMETERS (INCHES) UNLESS OTHERWISE NOTED.

PLAT DATE = #DATE#  
FILE NAME = #FILE#  
PLAT SCALE = #SCALE#  
REFERENCE = #REF#

# WITNESS MARKER FOR PERMANENT SURVEY MARKERS, TYPE II

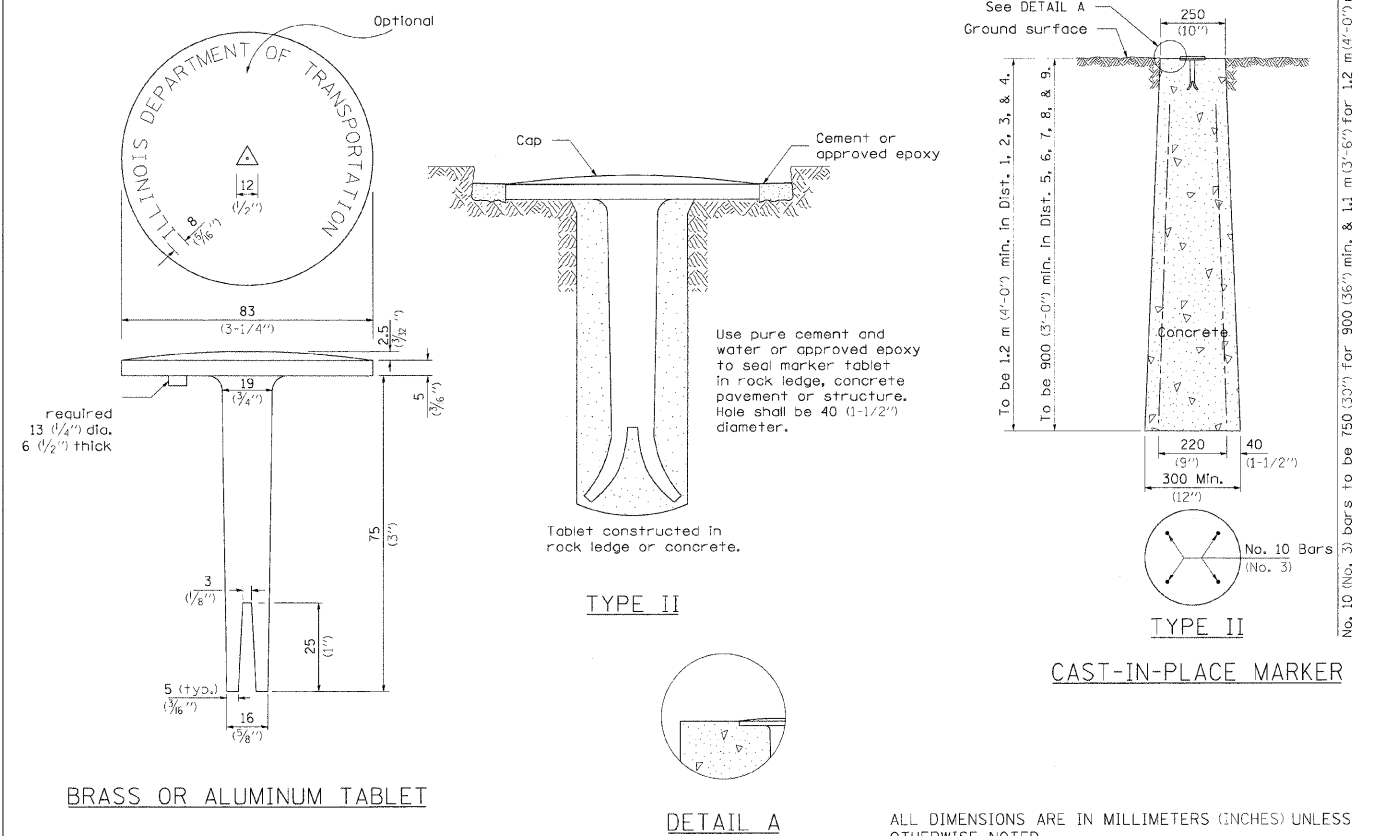
CONTRACT NO. 64814				
F.A. RTE.	SECTION	COUNTY	TOTAL SHEETS	SHEET NO.
30B	10HB,HB-1,VB,HB-2IR	ROCK ISLAND	210	79
STA.		TO STA.		
FED. ROAD DIST. NO.	ILLINOIS	FED. AID PROJECT		



GENERAL NOTES

A WITNESS MARKER SHALL BE INSTALLED WITHIN 1' OF ALL PERMANENT SURVEY MARKERS TYPE II EXCEPT IN AREAS WHERE THE MARKER IS IN THE SIDEWALK. THIS WORK WILL BE INCLUDED TO THE CONTRACT UNIT PRICE PER EACH FOR PERMANENT SURVEY MARKERS, TYPE II.

# PERMANENT SURVEY MARKERS, TYPE II



BRASS OR ALUMINUM TABLET

DETAIL A

CAST-IN-PLACE MARKER

ALL DIMENSIONS ARE IN MILLIMETERS (INCHES) UNLESS OTHERWISE NOTED.

PLAT DATE = #DATE#  
FILE NAME = #FILE#  
PLAT SCALE = #SCALE#  
REFERENCE = #REF#