

Contract #64814 * (HB,HB-1,VB,HB-2)R

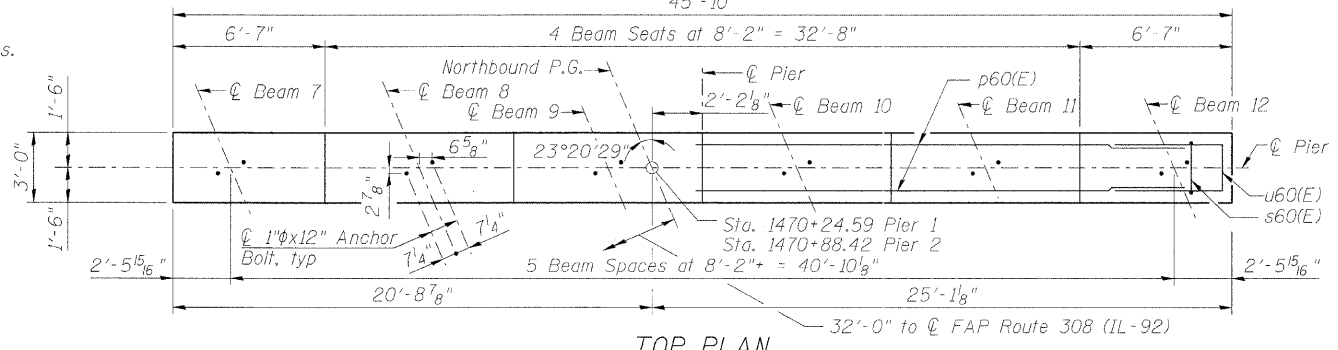
NOTES:

1. Space reinforcement in cap to miss anchor bolts.
2. Pour steps monolithically with cap.
3. For details of piles, see sheet No. 22
4. For pier enhancement details see sheet No. 24
5. Concrete Sealer shall be applied to all exposed surfaces of piers.

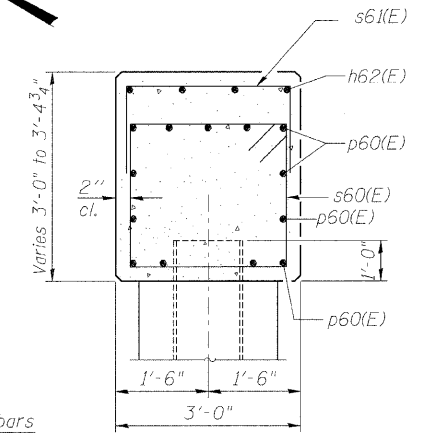
PILE DATA

Type: HP14X89 with Pile Shoes
 Nominal Required Bearing: 705K
 Allowable Resistance Available: 235K
 Est. Length: 64 ft (Pier 1) and 64 ft (Pier 2)
 No. Production Piles: 9 (Pier 1) and 9 (Pier 2)
 No. Test Piles: 0

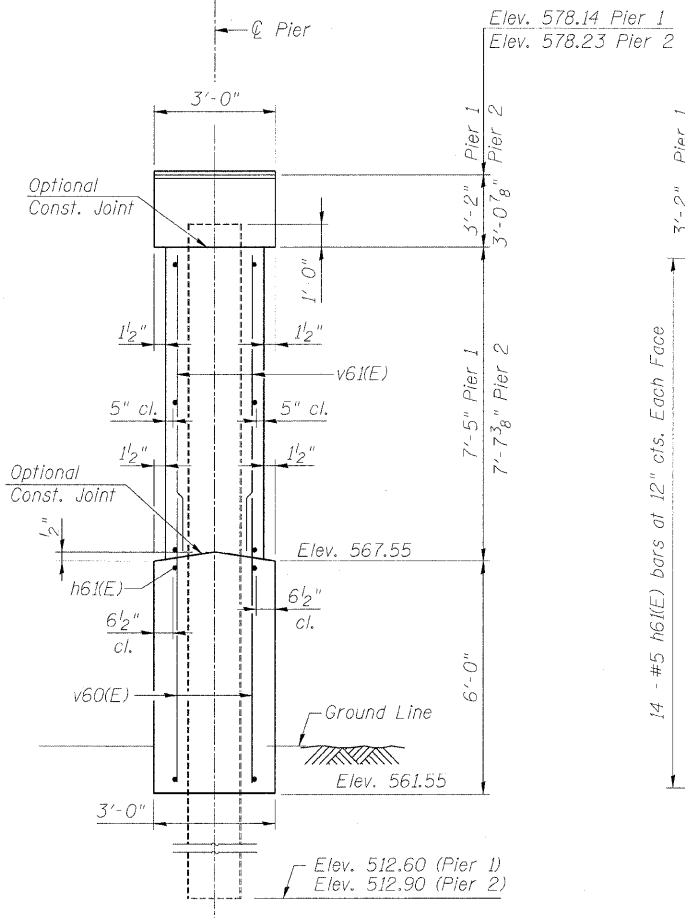
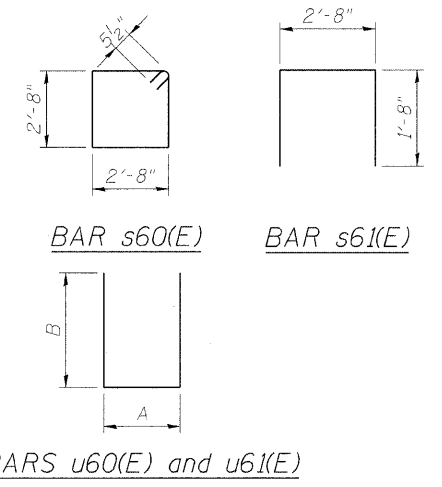
STATE OF ILLINOIS
 DEPARTMENT OF TRANSPORTATION



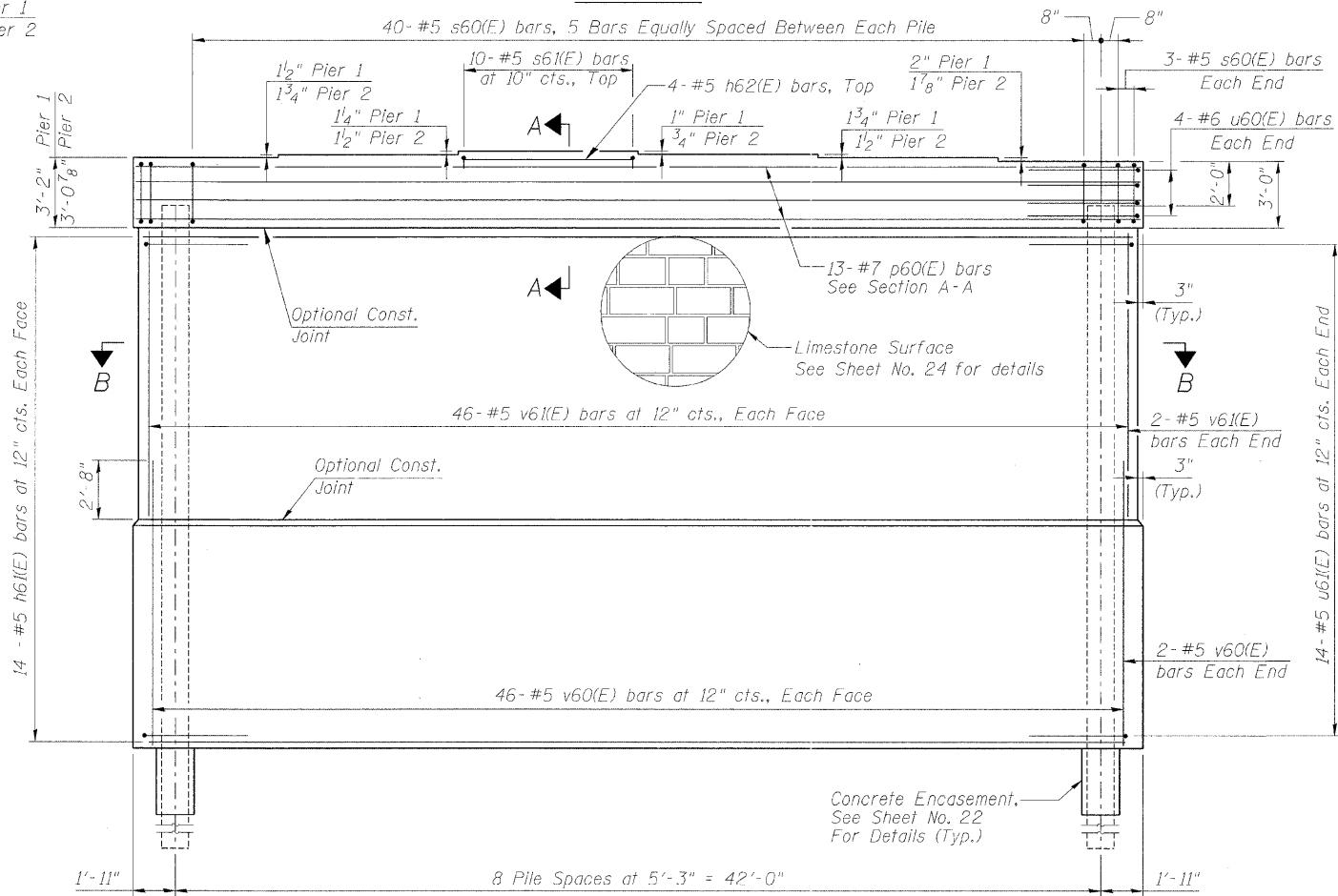
TOP PLAN



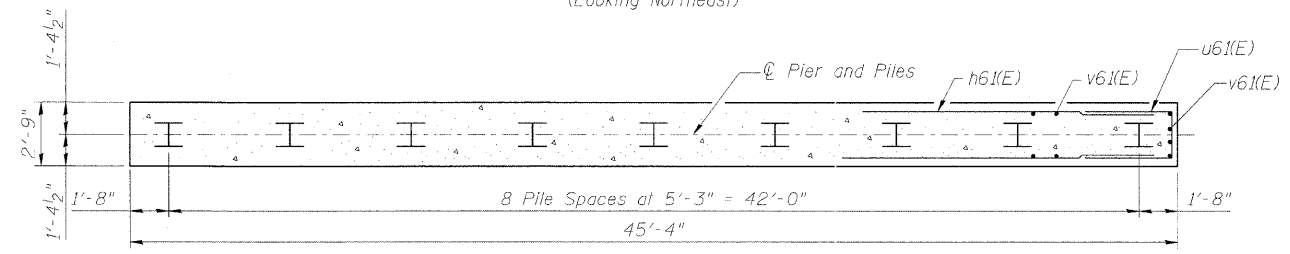
SECTION A-A



END VIEW



ELEVATION
 (Looking Northeast)



SECTION B-B

BILL OF MATERIAL FOR PIER 1

Bar	No.	Size	Length	Shape
h61(E)	28	#5	44'-6"	—
h62(E)	4	#5	7'-10"	—
p60(E)	13	#7	45'-6"	—
s60(E)	46	#5	11'-7"	□
s61(E)	10	#5	6'-0"	□
u60(E)	8	#6	7'-9"	—
u61(E)	28	#5	6'-7"	—
v60(E)	96	#5	8'-6"	—
v61(E)	96	#5	7'-3"	—
Structure Excavation	Cu. Yd.	20		
Concrete Structures	Cu. Yd.	81.4		
Rubbed Finish	Sq. Ft.	853		
Form Liner Limestone Surface	Sq. Ft.	714		
Reinforcement Bars, Epoxy Coated	Pound	5,020		
Furnishing Steel Piles HP14x89	Foot	576		
Driving Piles	Foot	576		
Pile Shoes	Each	9		
Concrete Encasement	Cu. Yd.	4.9		
Concrete Sealer	Sq. Ft.	1,610		

BILL OF MATERIAL FOR PIER 2

Bar	No.	Size	Length	Shape
h61(E)	28	#5	44'-6"	—
h62(E)	4	#5	7'-10"	—
p60(E)	13	#7	45'-6"	—
s60(E)	46	#5	11'-7"	□
s61(E)	10	#5	6'-0"	□
u60(E)	8	#6	7'-9"	—
u61(E)	28	#5	6'-7"	—
v60(E)	96	#5	8'-6"	—
v61(E)	96	#5	7'-3"	—
Structure Excavation	Cu. Yd.	20		
Concrete Structures	Cu. Yd.	81.9		
Rubbed Finish	Sq. Ft.	848		
Form Liner Limestone Surface	Sq. Ft.	732		
Reinforcement Bars, Epoxy Coated	Pound	5,020		
Furnishing Steel Piles HP14x89	Foot	576		
Driving Piles	Foot	576		
Pile Shoes	Each	9		
Concrete Encasement	Cu. Yd.	4.9		
Concrete Sealer	Sq. Ft.	1,628		

A & B DIMENSIONS

Bar	A	B
u60(E)	2'-7"	2'-7"
u61(E)	1'-11"	2'-4"

BEARING SEAT ELEVATIONS

BFAM	PIER 1	PIER 2
7	578.14	578.23
8	578.27	578.38
9	578.37	578.50
10	578.29	578.44
11	578.14	578.32
12	577.97	578.16

PIERS 1 AND 2 (NB)
 IL ROUTE 92 (CENTENNIAL EXPRESSWAY)
 OVER 31ST AVENUE
 FAP ROUTE 308 SEC. 1(HB-2)R
 ROCK ISLAND COUNTY
 STATION 1470+70.31
 STRUCTURE NO. 081-0173 (NB)

DESIGNED JDG	<p>DB STERLIN CONSULTANTS, INC. 208 S. LASALLE ST. SUITE 1130 CHICAGO, ILLINOIS 60604 TEL. 312/857-1006 FAX. 312/857-1056</p>
CHECKED WPK	
DRAWN DCS	
CHECKED JDG	

SIZES