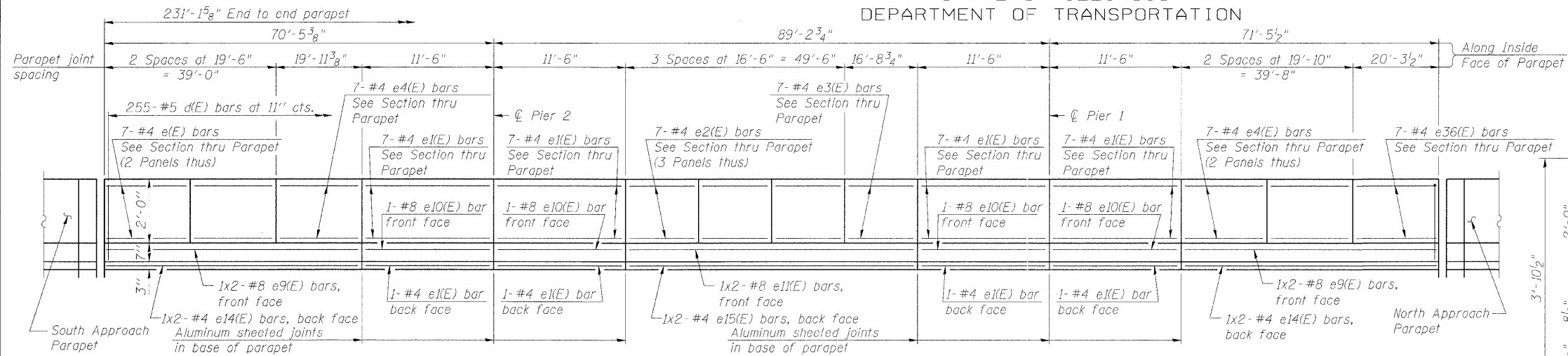


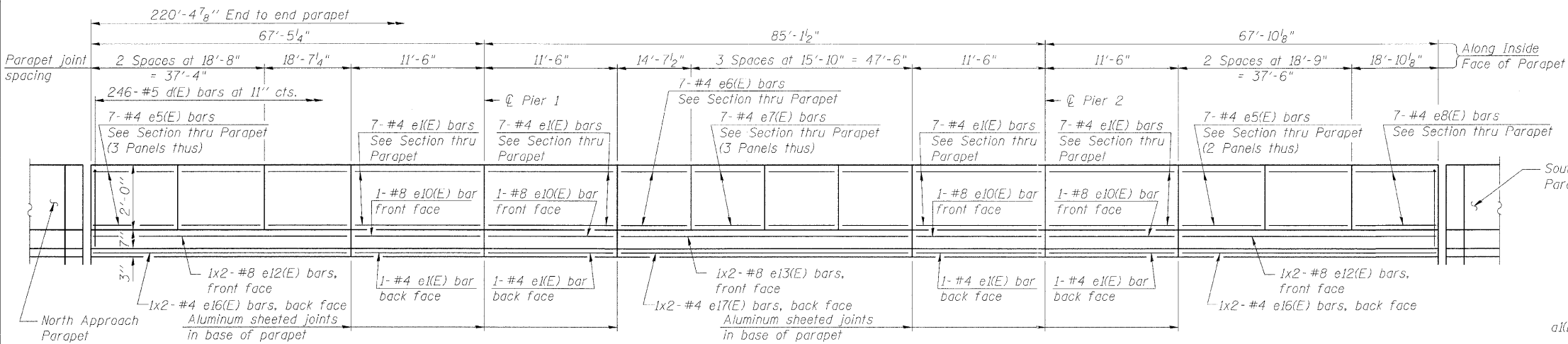
STATE OF ILLINOIS
DEPARTMENT OF TRANSPORTATION

ROUTE NO.	SECTION	COUNTY	TOTAL SHEETS	SHEET NO.
F.A.P. 308	*	ROCK ISLAND	210	126
SHEET NO. 11 32 SHEETS				

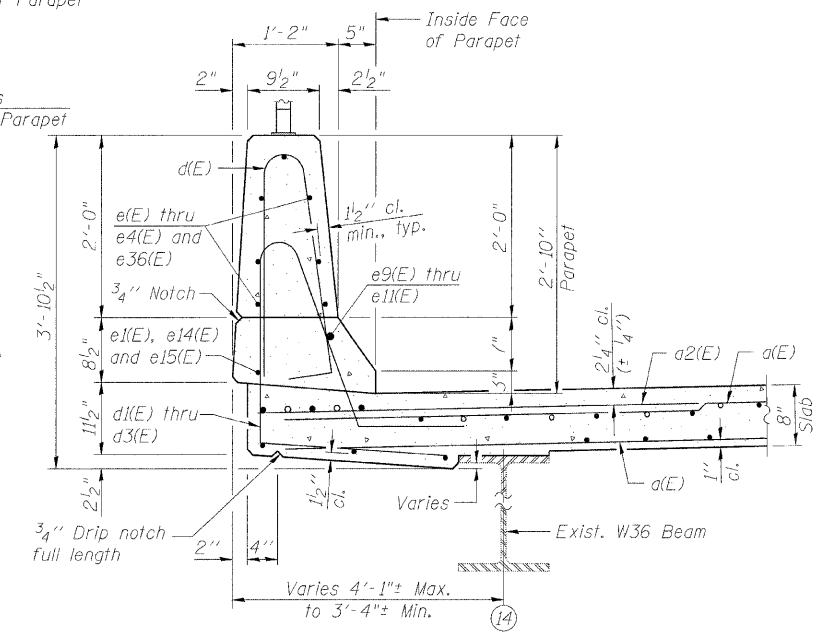
Contract #64814 * (1HB, HB-1, VB, HB-2)R



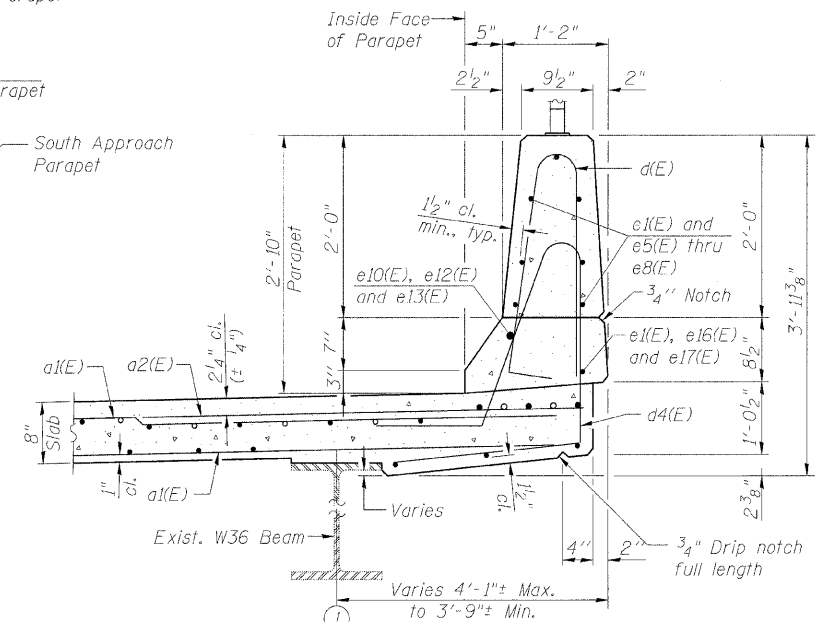
INSIDE ELEVATION OF WEST PARAPET



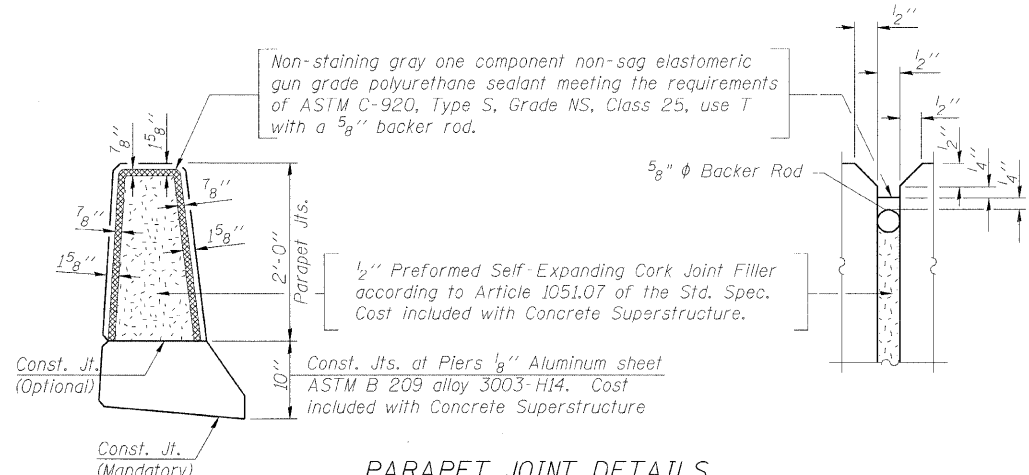
INSIDE ELEVATION OF EAST PARAPET



SECTION THRU WEST PARAPET



SECTION THRU EAST PARAPET



PARAPET JOINT DETAILS

NOTES

1. Bars indicated thus 1x2-#5 etc. indicates 1 line of bars with 2 lengths per line.
2. All edges shall have a 3/4" chamfer except as noted.
3. For Bar List and Bill of Material, see Sheet No. 14
4. For Approach Parapet details, see Sheet No. 12

PARAPET DETAILS
IL ROUTE 92 (CENTENNIAL EXPRESSWAY)
OVER IAIS RAILROAD
FAP ROUTE 308 SEC. 1(VB)R
ROCK ISLAND COUNTY
STATION 1507+04.10
STRUCTURE NO. 081-0064

DESIGNED	AMK
CHECKED	CMM
DRAWN	AMK
CHECKED	RWC

LOCHNER
H.W. LOCHNER, INC., CHICAGO, ILLINOIS

t:\2082\struc\egnc\2044029PD2.dgn