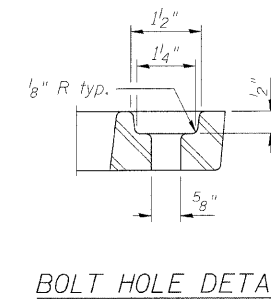
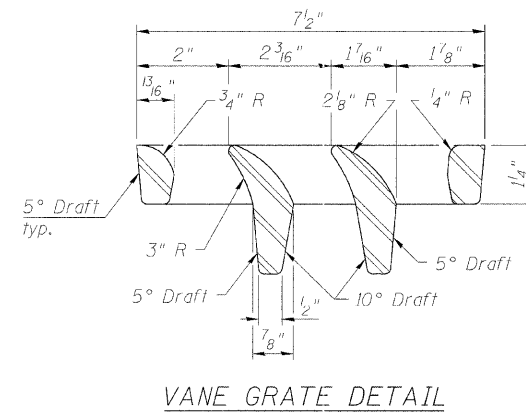
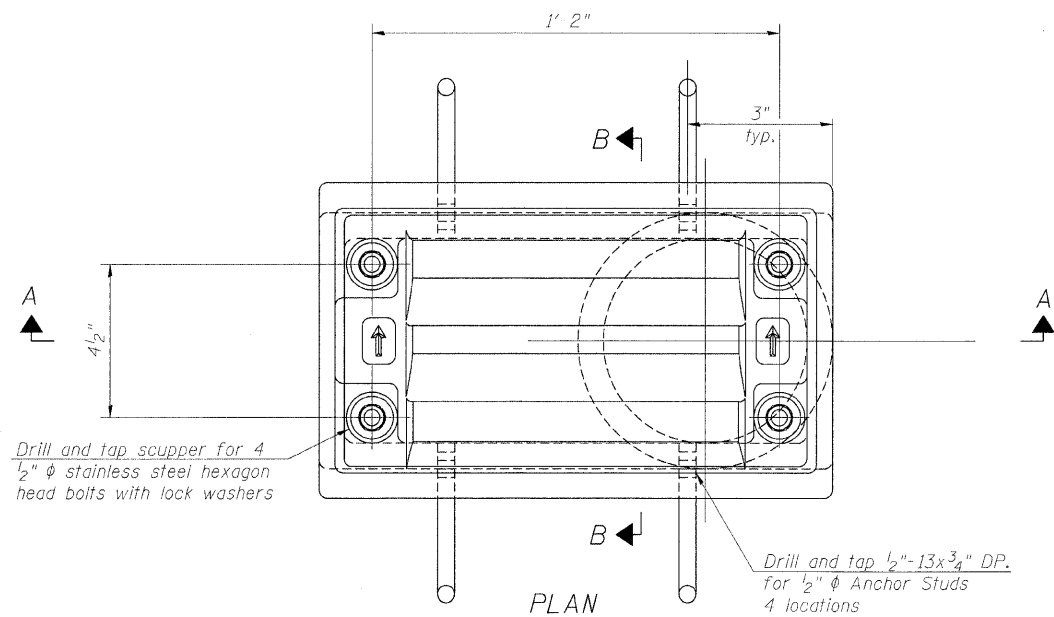


STATE OF ILLINOIS
DEPARTMENT OF TRANSPORTATION

ROUTE NO.	SECTION	COUNTY	TOTAL SHEETS	SHEET NO.	SHEET NO. 13
F.A.P. 308	*	ROCK ISLAND	210	160	28 SHEETS
FED. ROAD DIST. NO. 7	ILLINOIS	FED. AID PROJECT			

Contract #64814 * (1HB,HB-1,VB,HB-2)R



Notes:

All cast iron parts shall be gray iron conforming to the requirements of AASHTO M 105, Class 35B.

Bolts, anchor studs, washers and nuts shall conform to the requirements of ASTM A 307 and shall be galvanized according to AASHTO M 232.

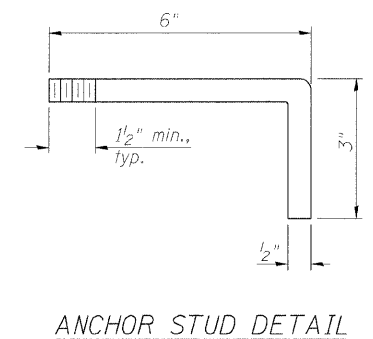
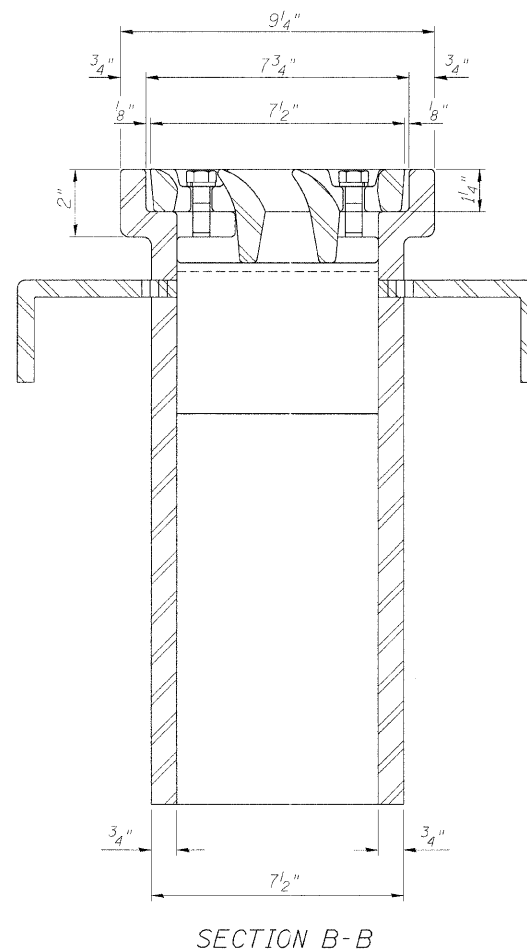
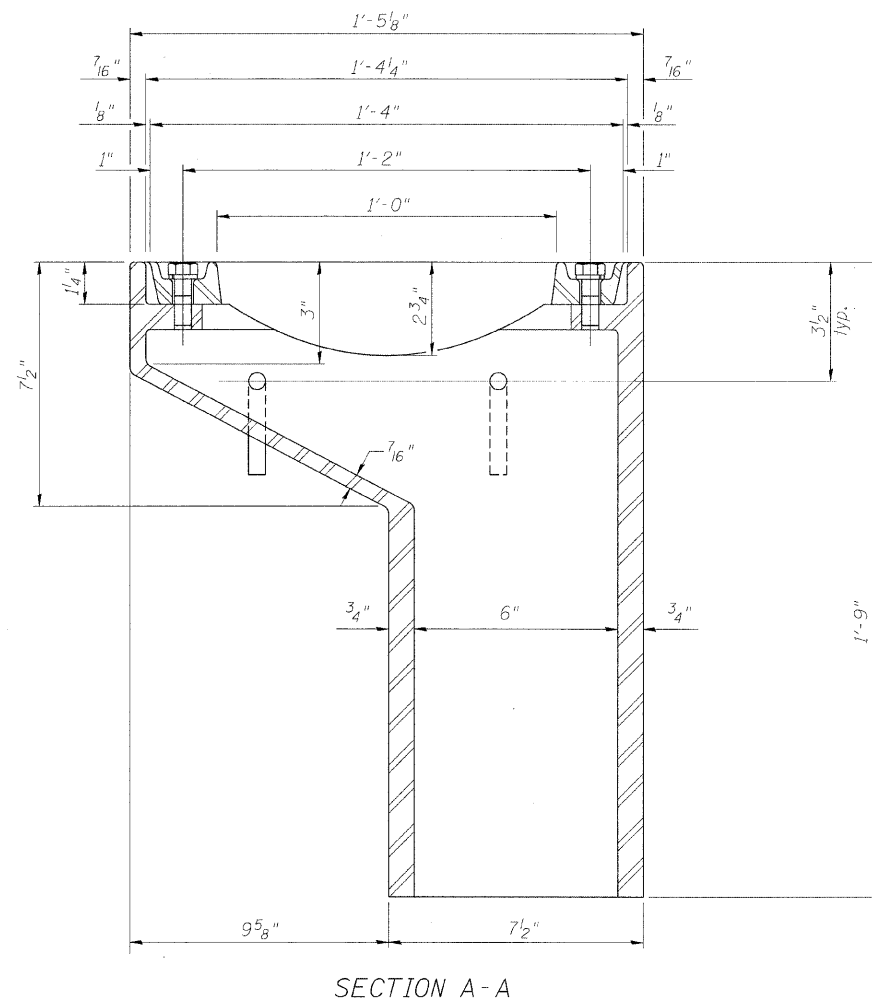
As an alternate, bolts, anchor studs, washers and nuts may be stainless steel according to Article 1006.29(d) of the Standard Specifications.

Structural steel weldments of equal sections and of the same configuration may be substituted for the cast iron scupper frame. Fillet or full penetration welds shall be used for the weldments. Details shall be submitted to the Engineer for approval. Structural steel weldments shall not be substituted for the cast iron scupper grate. Structural steel frames shall be galvanized according to AASHTO M11.

The Contractor shall take appropriate measures to assure that Protective Coat is not applied to the scupper.

Cost of the Grate, Frame, Anchor Studs, Bolts, Washers and Nuts including complete installation of the scupper shall be paid for at the contract unit price each for Drainage Scupper, DS-11.

Work this sheet with Sheet No. 14



BILL OF MATERIAL

Item	Unit	Total
Drainage Scupper, DS-11	Each	8

See Sheet No. 10 for scupper location relative to the Median Barrier

DRAINAGE SCUPPER, DS-11
IL ROUTE 92 (CENTENNIAL EXPRESSWAY)
OVER 18th AVENUE
FAP ROUTE 308 SEC. 1(HB-1)R
ROCK ISLAND COUNTY
STATION 1517+79.41
STRUCTURE NO. 081-0171

DESIGNED
CHECKED
DRAWN
CHECKED

LOCHNER
H.W. LOCHNER, INC., CHICAGO, ILLINOIS

t:\2082\struet\dgn\c2044028SP1.dgn