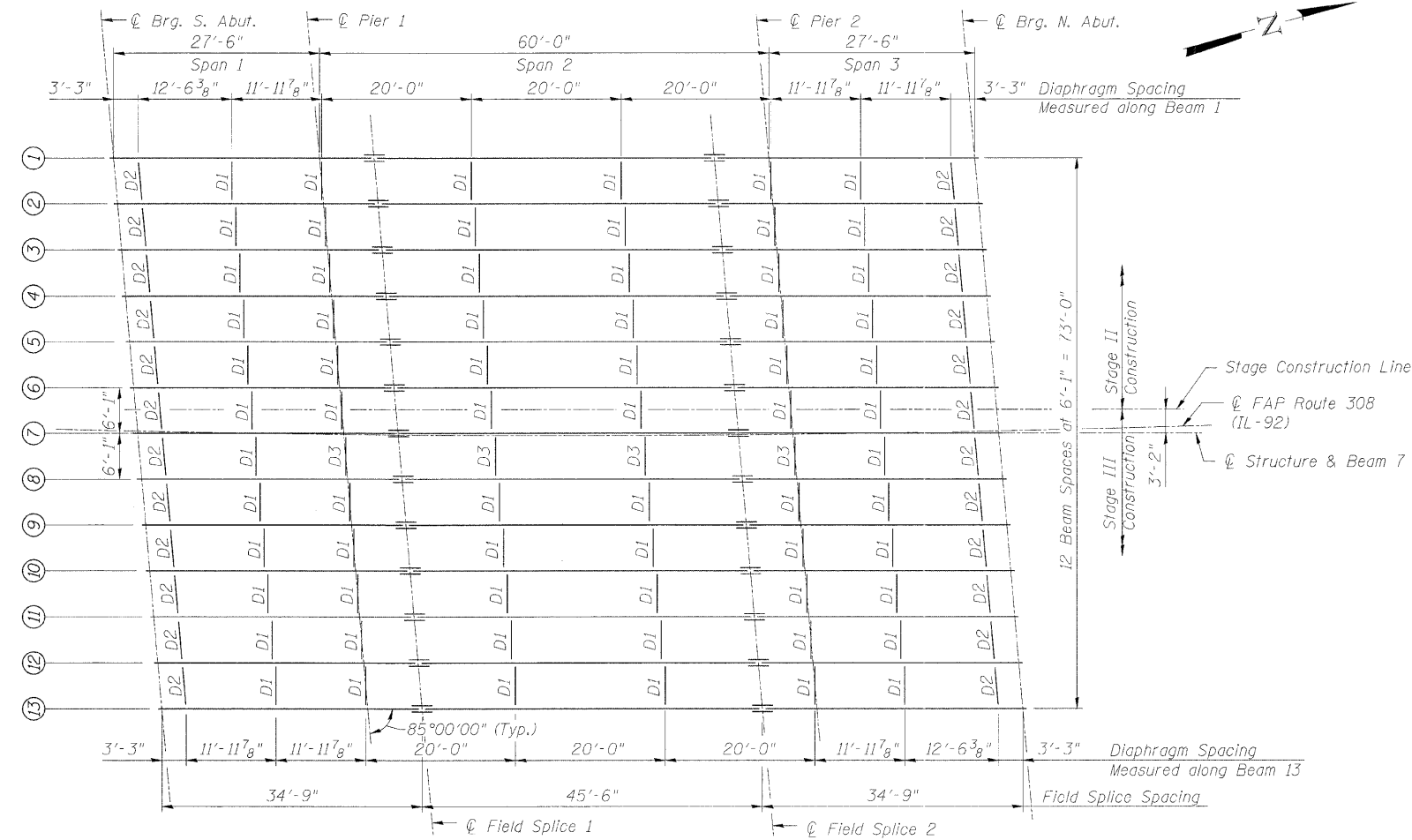
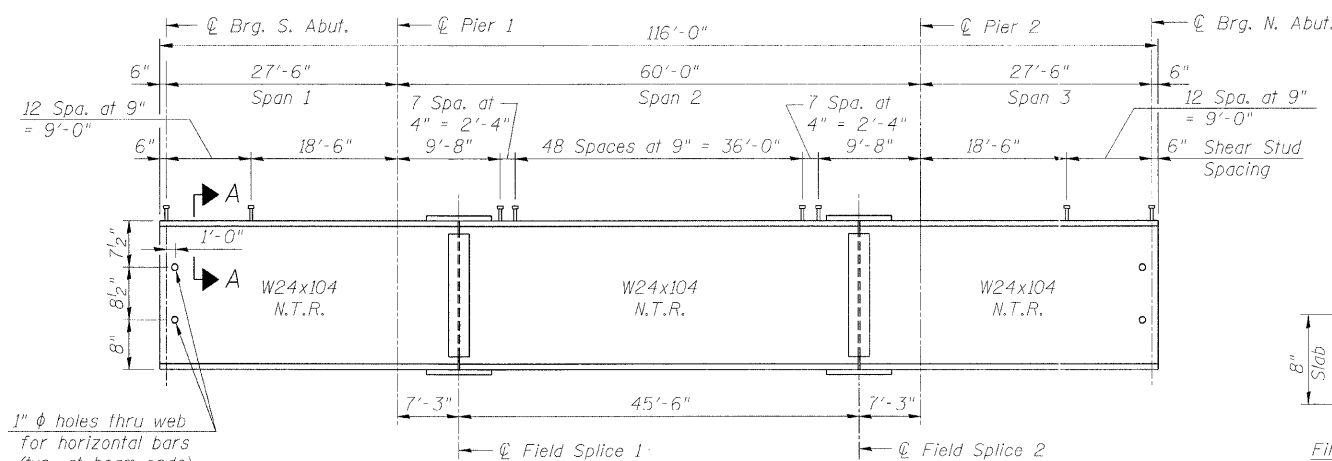


STATE OF ILLINOIS  
DEPARTMENT OF TRANSPORTATION

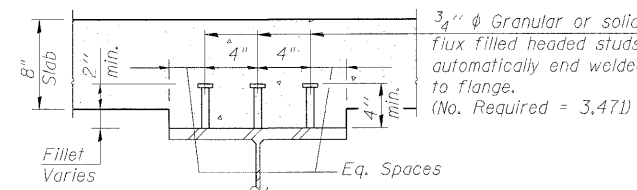
ROUTE NO.	SECTION	COUNTY	TOTAL SHEETS	SHEET NO.	SHEET NO. 15 28 SHEETS
F.A.P. 308	*	ROCK ISLAND	210	162	
FED. ROAD DIST. NO. 7	ILLINOIS	FED. AID PROJECT	Contract #64814 * 1(HB,HB-1,VB,HB-2)R		



FRAMING PLAN



BEAM ELEVATION



SECTION A-A

NOTES

1. For Top of Beam Elevations and Moment and Reaction Table see Sheet No. 17
2. For splice and diaphragm details see Sheet No. 16
3. For bearing details see Sheet No. 17
4. All steel for the steel beams, including splice plates, shall conform to the requirements of AASHTO M270 Grade 50. All diaphragms, including connection angles and plates, shall conform to the requirements of AASHTO M270 Grade 36.
5. Load carrying components designated "NTR" shall conform to the Supplemental Requirements for Notch Toughness, Zone 2.

FRAMING PLAN  
IL ROUTE 92 (CENTENNIAL EXPRESSWAY)  
OVER 18th AVENUE  
FAP ROUTE 308 SEC. 1(HB-1)R  
ROCK ISLAND COUNTY  
STATION 1517+79.41  
STRUCTURE NO. 081-0171

DESIGNED	JSD
CHECKED	RH
DRAWN	JSD
CHECKED	RH

**LOCHNER**  
H.W. LOCHNER, INC., CHICAGO, ILLINOIS

t:\2082\struc\cogn\2044028FP1.dgn